

# Dynamik

glass partition systems



# Product Index

## SINGLE GLAZED PARTITION SYSTEMS

Page 4-21

- | **26 x 28mm Single Glazed Partition System** Page 5-9
- | **36 x 38mm Single Glazed Partition System** Page 10-15
- | **Stick On & Bolt On Mullions** Page 16-19



## GLASS DOOR FRAME SYSTEMS & HINGES

Page 22-42

- | **Fitting The Dynamik Integrated Hinge** Page 23
- | **H/Z/L Type Glass Door Frame Systems** Page 24-30
- | **Reveal Type Glass Door Frame System** Page 31-36
- | **Double Glazed Glass Door Frame System** Page 37-40
- | **Dynamik Integrated Hinges & Accessories** Page 41-42



## DOUBLE GLAZED PARTITION SYSTEMS

Page 43-51

- | **34 x 100mm Double Glazed Partition System** Page 44-49
- | **Gaskets, Packers & Double Glazed Accessories** Page 50-51



## LED PARTITION SYSTEM

Page 52-57

- | **LED Partition System & Components** Page 53-57



## LEVER LOCKS, HANDLES, STRIKE BOXES & CYLINDERS

Page 58-66

- | **Lever Locks** Page 59-62
- | **Lever Handles, Strike Boxes & Receivers** Page 63-66



# Product Index

## GLASS TO GLASS JOINERS

Page 67-70

### | Clear & Black Glass To Glass Joiners

Page 68-70

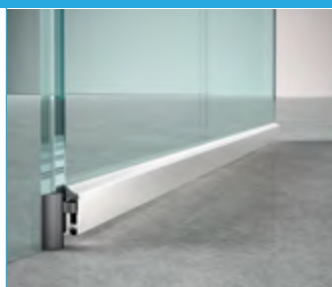


## DROP DOWN SEALS

Page 71-74

### | Drop Down Seals For Glass Doors

Page 72-74



## LOFT STYLE

Page 75-88

### | Aluminium Door Frames

Page 76-77

### | H-Type Door Frame, Door Hinge & U Profiles

Page 78-79

### | Corner Profiles & Stick On Grid Profile

Page 80-81

### | Using The Loft Style Products

Page 82-83

### | Stick On & Bolt On Mullions

Page 84-88



## PATCH FITTINGS & FRAMELESS HARDWARE

Page 89-113

### | Top & Bottom Patch Fittings

Page 90

### | Hydraulic Patch Fitting & Kits

Page 91-94

### | Corner Transoms & Overpanel Patch Fittings

Page 95-103

### | Patch Locks, Receivers & Accessories

Page 104-110

### | Offset Pivots

Page 111-112



## DOOR CONTROL & DOOR HANDLES

Page 114-120

### | Floor Springs & Spindles

Page 115-116

### | Floor Pivot, Door Closer & Load Arms

Page 117-118

### | Overhead Door Closers & Fixing Plate

Page 119-120

### | Door Handles

Page 121



# Single Glazed Partition Systems



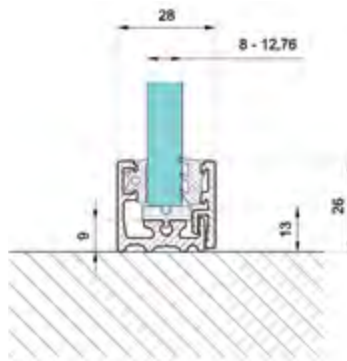
# Single Glazed Partition Systems

26x28MM SINGLE GLAZED PARTITION SYSTEM

## 26x28mm Base Profile & Cover

Aluminium glass partition system for use on the bottom and side.

A two part system for very fast and easy installation. Gasket kits sold separately, dependent on glass thickness. Available in two different finishes.

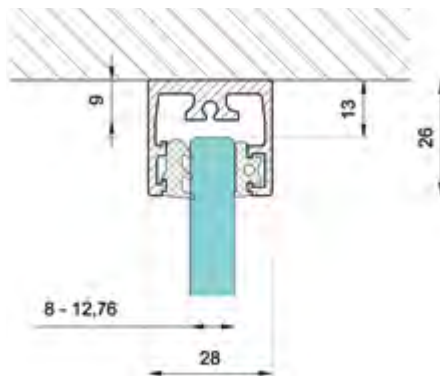


DESCRIPTION	FINISH	LENGTH	CODE
26x28mm base profile & cover	Anodised	3000mm	<b>G.DK.SG.SA.009</b>
26x28mm base profile & cover	Black	3000mm	<b>G.DK.SG.BK.009</b>

## 26x28mm Top Profile

Aluminium glass partition system for use on the top.

A very fast and easy installation. Gasket kits sold separately, dependent on glass thickness. Available in two different finishes.



DESCRIPTION	FINISH	LENGTH	CODE
26x28mm top profile	Anodised	3000mm	<b>G.DK.SG.SA.010</b>
26x28mm top profile	Black	3000mm	<b>G.DK.SG.BK.010</b>

# Single Glazed Partition Systems

26X28MM SINGLE GLAZED PARTITION SYSTEM

## 26x28mm Grey Top & Base Profile Gaskets

Grey 26 x 28mm Top & Base Profile Gaskets to suit 8mm, 10mm, 10.76mm, 12mm and 12.76mm glass. The left hand gasket in the product image is installed into the profile before the glass and the right hand gasket is wedged in to secure the glass.



DESCRIPTION	FINISH	UNIT OF SALE	CODE
8mm thickness	Grey	Per Metre	G.DK.AC.014
10mm thickness	Grey	Per Metre	G.DK.AC.016
10.76mm thickness	Grey	Per Metre	G.DK.AC.018
12mm thickness	Grey	Per Metre	G.DK.AC.020
12.76mm thickness	Grey	Per Metre	G.DK.AC.022

## 26x28mm Black Top & Base Profile Gaskets

Black 26 x 28mm Top & Base Profile Gaskets to suit 8mm, 10mm, 10.76mm, 12mm and 12.76mm glass. The right hand gasket in the product image is installed into the profile before the glass and the left hand gasket is wedged in to secure the glass.



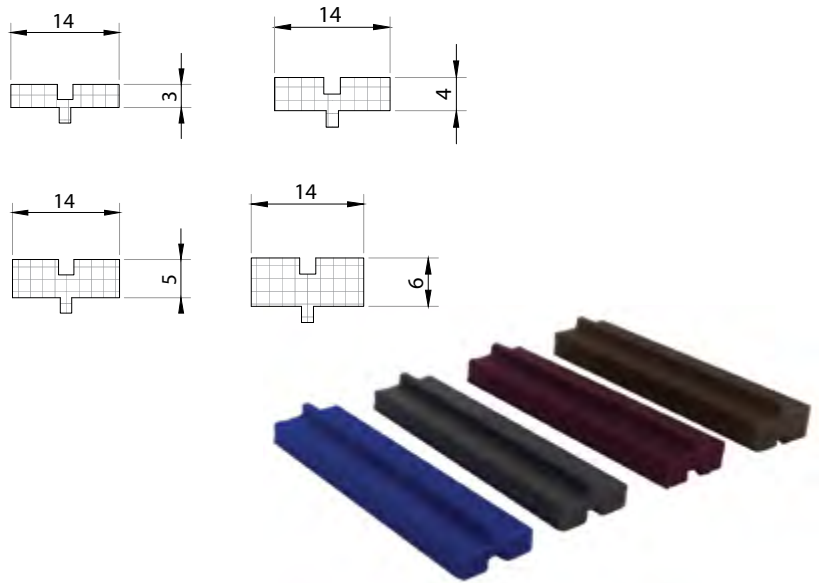
DESCRIPTION	FINISH	UNIT OF SALE	CODE
8mm thickness	Black	Per Metre	G.DK.AC.015
10mm thickness	Black	Per Metre	G.DK.AC.017
10.76mm thickness	Black	Per Metre	G.DK.AC.019
12mm thickness	Black	Per Metre	G.DK.AC.021
12.76mm thickness	Black	Per Metre	G.DK.AC.023

# Single Glazed Partition Systems

26X28MM SINGLE GLAZED PARTITION SYSTEM

## Packers for the 26x28mm Base Track

Available in four different thicknesses, 3, 4, 5 & 6mm. These packers slot easily into the base track under the glass to adjust the glass height.



DESCRIPTION	FINISH	UNIT OF SALE	CODE
3mm thickness	Blue	Pack of 10	<b>G.DK.AC.005</b>
4mm thickness	Grey	Pack of 10	<b>G.DK.AC.006</b>
5mm thickness	Purple	Pack of 10	<b>G.DK.AC.007</b>
6mm thickness	Gold	Pack of 10	<b>G.DK.AC.008</b>

## End Caps for 26 x 28mm Base Profile

End cap for 26 x 28mm Base Profile. Finished in Anodised Aluminium & Black



DESCRIPTION	FINISH	UNIT OF SALE	CODE
End cap for 26x28mm base profile	Anodised	Each	<b>G.DK.SG.SA.013</b>
End cap for 26x28mm base profile	Black	Each	<b>G.DK.SG.BK.013</b>

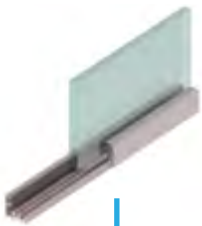
# 26x28 Single Glazed Partition System

26X28MM SINGLE GLAZED PARTITION SYSTEM

Top Profile  
G.DK.SG.SA.010  
G.DK.SG.BK.010



Base Profile & Cover  
G.DK.SG.SA.009  
G.DK.SG.BK.009



Top & Base Gaskets

G.DK.AC.014  
G.DK.AC.015  
G.DK.AC.016  
G.DK.AC.017  
G.DK.AC.018  
G.DK.AC.019  
G.DK.AC.020  
G.DK.AC.021  
G.DK.AC.022  
G.DK.AC.023



Base Profile & Cover  
G.DK.SG.SA.009  
G.DK.SG.BK.009







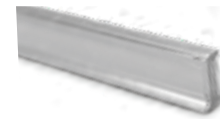
### 180° Glass to Glass Joiners

JP10EZCC-180  
JP12EZCC-180



### 90° Glass to Glass Joiners

JP10EZCL-90  
JP12EZCL-90



### Packers

G.DK.AC.005  
G.DK.AC.006  
G.DK.AC.007  
G.DK.AC.008



### End Caps for Base Profile

G.DK.SG.SA.013  
G.DK.SG.BK.013

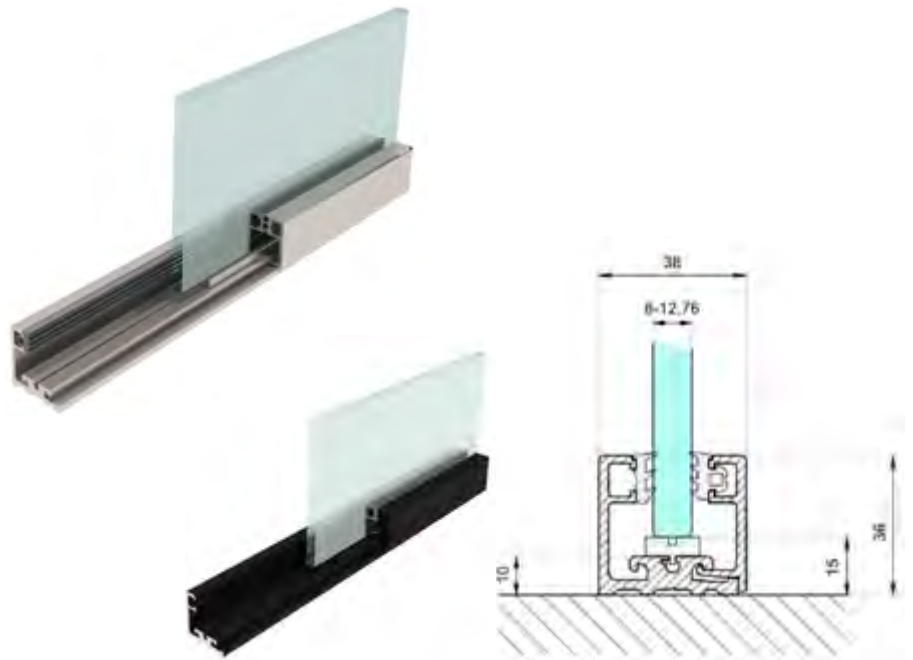


# Single Glazed Partition Systems

36X38MM SINGLE GLAZED PARTITION SYSTEM

## 36 x 38mm Base Profile & Cover

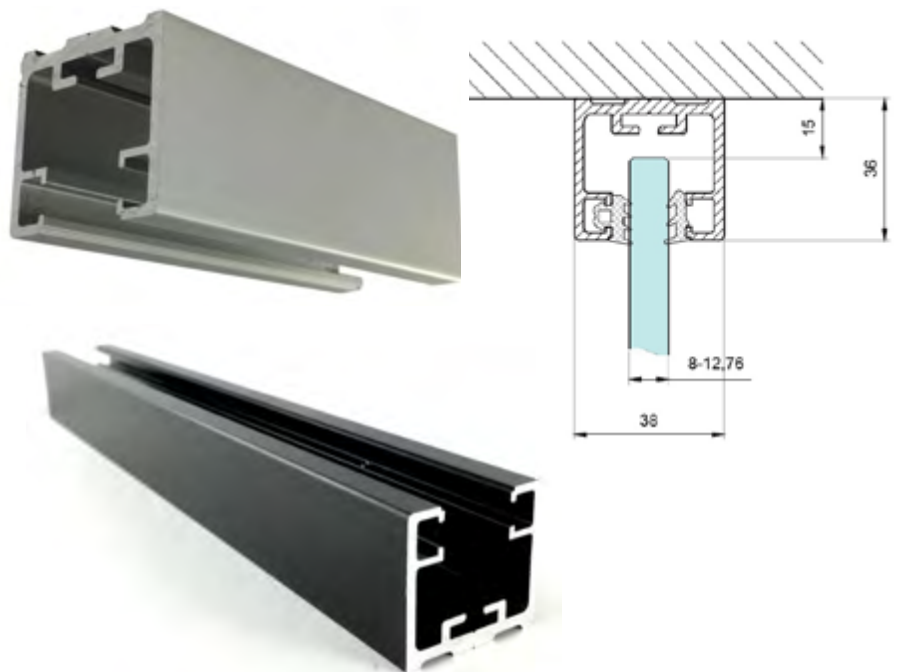
Aluminium glass partition system for use on the bottom and side. A two part system for very fast and easy installation. Gasket kits sold separately, dependent on glass thickness. Available in two different finishes.



DESCRIPTION	FINISH	LENGTH	CODE
36x38mm base profile & cover	Anodised	3000mm	<b>G.DK.SG.SA.012</b>
36x38mm base profile & cover	Black	3000mm	<b>G.DK.SG.BK.012</b>

## 36 x 38mm Top Profile

Aluminium glass partition system for use on the top. A very fast and easy installation. Gasket kits sold separately, dependent on glass thickness. Available in two different finishes.



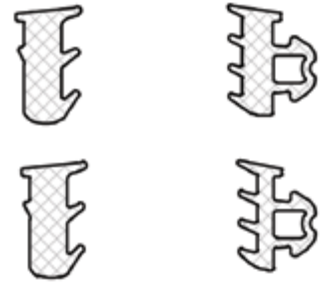
DESCRIPTION	FINISH	UNIT OF SALE	CODE
36x38mm top profile	Anodised	Each	<b>G.DK.SG.SA.011</b>
36x38mm top profile	Black	Each	<b>G.DK.SG.BK.011</b>

# Single Glazed Partition Systems

36X38MM SINGLE GLAZED PARTITION SYSTEM

## Black 36 x 38mm Top & Base Profile Gaskets

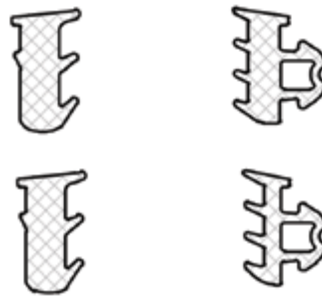
Black 36 x 38mm top & base profile gaskets to suit 8mm, 10mm & 12mm glass. The right hand gasket in the product image is installed in to the profile before the glass and the left hand gasket is wedged in to secure the glass.



DESCRIPTION	FINISH	UNIT OF SALE	GLASS THICKNESS	CODE
36x38mm top & base profile gaskets	Black	Per metre	8mm	<b>G.DK.AC.034</b>
36x38mm top & base profile gaskets	Black	Per metre	10mm	<b>G.DK.AC.036</b>
36x38mm top & base profile gaskets	Black	Per metre	12mm	<b>G.DK.AC.038</b>

## Grey 36 x 38mm Top & Base Profile Gaskets

Grey 36 x 38mm top & base profile gaskets to suit 8mm, 10mm & 12mm glass. The left hand gasket in the product image is installed in to the profile before the glass and the right hand gasket is wedged in to secure the glass.



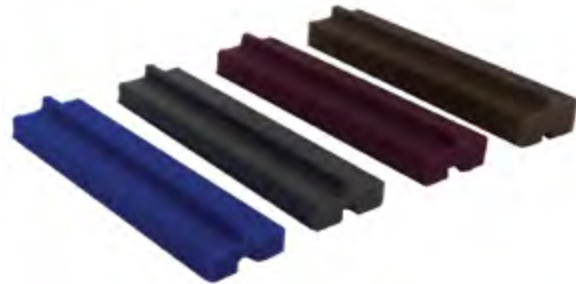
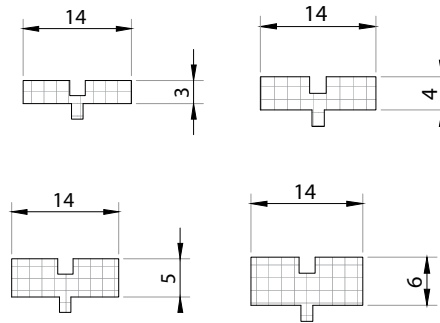
DESCRIPTION	FINISH	UNIT OF SALE	GLASS THICKNESS	CODE
36x38mm top & base profile gaskets	Grey	Per metre	8mm	<b>G.DK.AC.033</b>
36x38mm top & base profile gaskets	Grey	Per metre	10mm	<b>G.DK.AC.035</b>
36x38mm top & base profile gaskets	Grey	Per metre	12mm	<b>G.DK.AC.037</b>

# Single Glazed Partition Systems

36X38MM SINGLE GLAZED PARTITION SYSTEM

## Packers for the 36 x 38mm Base Track

Available in four different thicknesses, 3, 4, 5 & 6mm. These packers slot easily in to the base track under the glass to adjust the glass height.



DESCRIPTION	FINISH	UNIT OF SALE	CODE
3mm thickness	Blue	Pack of 10	<b>G.DK.AC.005</b>
4mm thickness	Grey	Pack of 10	<b>G.DK.AC.006</b>
5mm thickness	Purple	Pack of 10	<b>G.DK.AC.007</b>
6mm thickness	Gold	Pack of 10	<b>G.DK.AC.008</b>

## 36 x 38mm Top Profile End Cap

End Caps for 36 x 38mm Top Track. Finished in Anodised Aluminium & Black.



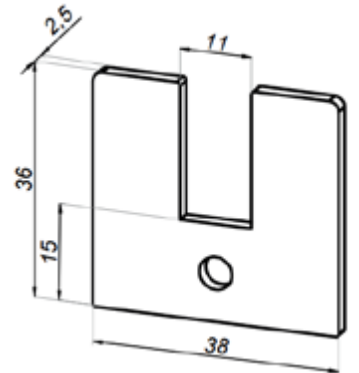
DESCRIPTION	FINISH	UNIT OF SALE	CODE
36x38mm top profile end cap	Anodised	Each	<b>G.DK.SG.SA.015</b>
36x38mm top profile end cap	Black	Each	<b>G.DK.SG.BK.015</b>

# Single Glazed Partition Systems

36X38MM SINGLE GLAZED PARTITION SYSTEM

## 36 x 38mm Base Profile End Cap

End Caps for 36 x 38mm Base Profile.  
Finished in Anodised Aluminium &  
Black.



DESCRIPTION	FINISH	UNIT OF SALE	CODE
36x38mm base profile end cap	Anodised	Each	<b>G.DK.SG.SA.014</b>
36x38mm base profile end cap	Black	Each	<b>G.DK.SG.BK.014</b>



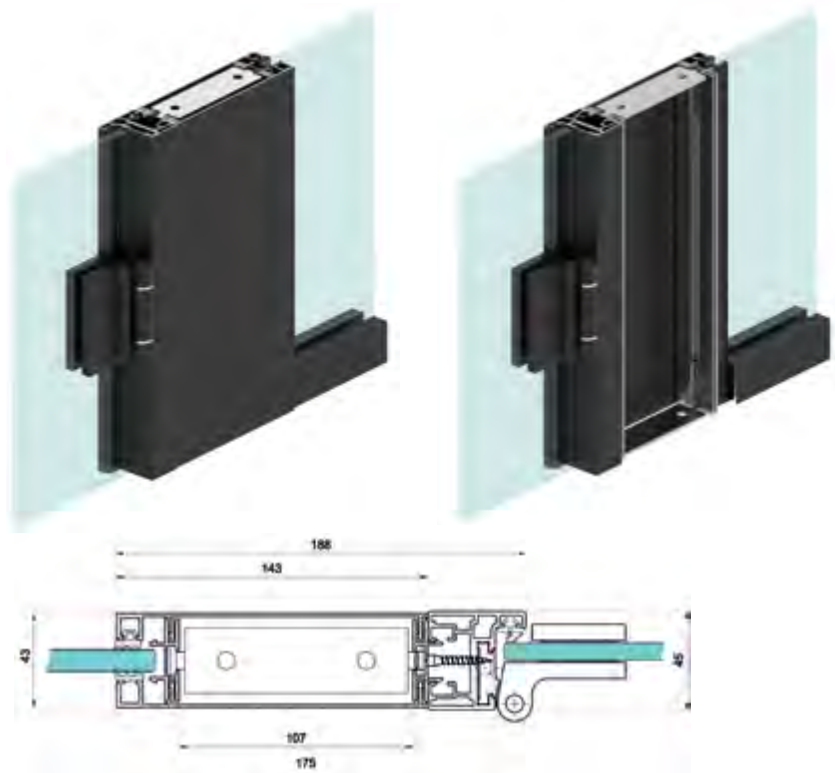
# Single Glazed Partition Systems

36X38MM SINGLE GLAZED PARTITION SYSTEM

## Single Glazed Partition System Large Mullion/Service Duct

This 3 metre kit comprises of three different parts:  
 2 x Mullion Covers  
 5 x Joiner Profiles  
 2 x Ceiling/floor mounting brackets.

Combined together these items form a mullion where service cables can be run or just can be used to form an aesthetically stronger pillar.



DESCRIPTION	FINISH	UNIT OF SALE	CODE
Large mullion/service duct	Black	3 metre kit	<b>G.DK.SG.BK.016.KIT</b>
Large mullion/service duct	Anodised	3 metre kit	<b>G.DK.SG.SA.016.KIT</b>

## Cover For Single Glazed Partition System Large Mullion/Service Duct

Easily clips in to form the single glazed mullion hiding any services. Available in both silver and black anodised to match the partition profiles.



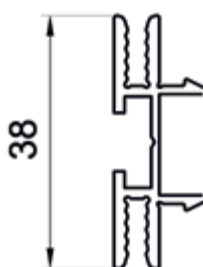
DESCRIPTION	FINISH	LENGTH	CODE
Cover for large mullion/service duct	Silver	3000mm	<b>G.DK.SG.SA.016</b>
Cover for large mullion/service duct	Black anodised	3000mm	<b>G.DK.SG.BK.016</b>

# Single Glazed Partition Systems

36X38MM SINGLE GLAZED PARTITION SYSTEM

## Joiner Profile For Single Glazed Partition System Large Mullion/Service Duct

Supplied in 150mm lengths. These profiles are screwed to the back of the partition system or door frame profile to allow the cover system snap in to place. It is recommended that 5 pieces should be used on each side in a 3 metre length.



DESCRIPTION	FINISH	LENGTH	CODE
Joiner profile	Aluminium	150mm	<b>G.DK.AC.040</b>

## Ceiling & Floor Mounting Brackets For Single Glazed Partition System Large Mullion/Service Duct

These brackets are mounted to the ceiling and floor wherever the service duct is required. These help join the profiles and correctly space the opening so that the snap on covers will install easily.



DESCRIPTION	FINISH	UNIT OF SALE	CODE
Ceiling & floor mounting brackets	Stainless steel	Each	<b>G.DK.AC.041</b>

# Single Glazed Partition System

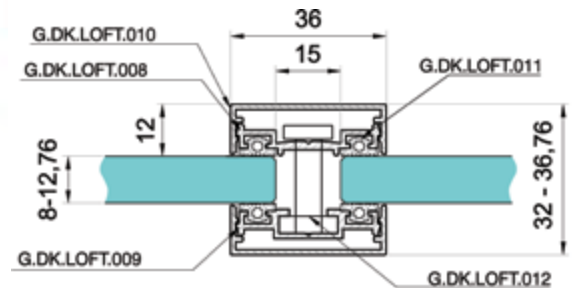
VERTICAL MULLION & STICK ON MULLION

## Vertical Mullion

Creating that old steel type loft style window feel.

The vertical bolt through mullion is easily installed by bolting G.DK.LOFT.008 through the glass joint to G.DK.LOFT.009 and then covered over on both sides using G.DK.LOFT.010.

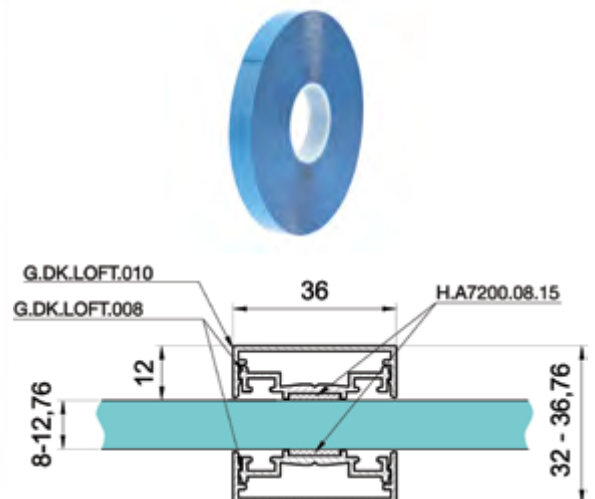
Ideally used with the 36 x 38mm bottom and top partition profiles.



DESCRIPTION	FINISH	UNIT OF SALE	CODE
Vertical mullion	Black	3 metre kit	<b>G.DK.LOFT.006</b>

## Stick On Mullion

Creating that old steel type loft style window feel. This mullion profile can be used both vertically and horizontally and is easily installed by sticking G.DK.LOFT.008 on both sides of the glass using our acrylic tape and then covered over on both sides using G.DK.LOFT.010. Ideally used with the 36 x 38mm bottom and top partition profiles.



DESCRIPTION	FINISH	UNIT OF SALE	CODE
Stick on mullion	Black	3 metre kit	<b>G.DK.LOFT.007</b>
Crystal clear double side acrylic tape	Clear	33 metre roll	<b>H.A7200.08.15</b>



# Single Glazed Partition System

MULLION COMPONENTS & BOLT ON MULLION GASKET

## Vertical & Horizontal Mullion Components

These items are used to create the previous two kits. While the same mullion cover profile is used for both the stick on and bolted vertical mullion the base profiles differ.

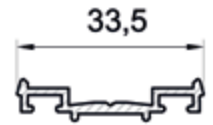
The Stick on & Bolt on Base Profile is used on both sides of the glass in a stick on mullion but only on one side in a bolted mullion.

The Bolt On Base Profile Used only with a bolt on mullion installation. This profile holds the nut that allows the previous profile to be bolted too.

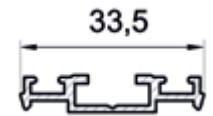
The Mullion Cover Profile is used on both sides of the glass in both the bolt on and stick on mullion installations.



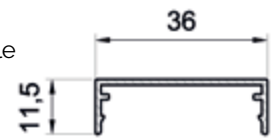
Stick on & Bolt on Base Profile



Bolt On Base Profile



Mullion Cover Profile



DESCRIPTION	FINISH	LENGTH	CODE
Stick on & bolt on base profile	Black	3000mm	G.DK.LOFT.008
Bolt on base profile	Black	3000mm	G.DK.LOFT.009
Mullion cover profile	Black	3000mm	G.DK.LOFT.010

## Bolt On Mullion Gasket

Used only with the bolt on mullion. This gasket is installed in the base profiles on both sides creating a barrier between the profile and the glass.



DESCRIPTION	FINISH	UNIT OF SALE	CODE
Bolt on mullion gasket	Black	Per metre	G.DK.LOFT.011

# Single Glazed Partition System

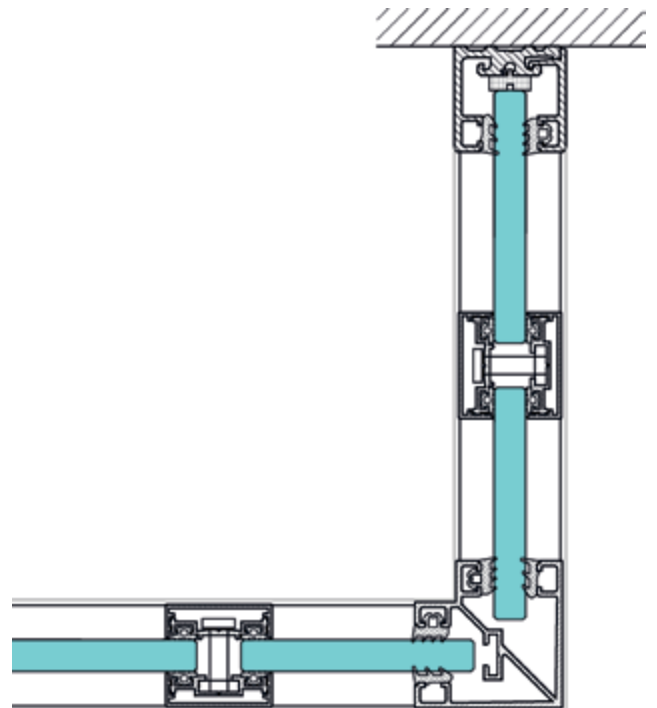
BOLT SET FOR BOLT ON MULLION

## Bolt Set For Bolt On Mullion

Available in three different lengths for different glass thicknesses. It is recommended that six bolts be used in a 3 metre length. The base profile must be drilled to allow the bolt through.



DESCRIPTION	UNIT OF SALE	GLASS THICKNESS	CODE
Bolt set for bolt on mullion	Set of 6	8mm	<b>G.DK.LOFT.012.8</b>
Bolt set for bolt on mullion	Set of 6	10mm	<b>G.DK.LOFT.012.10</b>
Bolt set for bolt on mullion	Set of 6	12mm	<b>G.DK.LOFT.012.12</b>

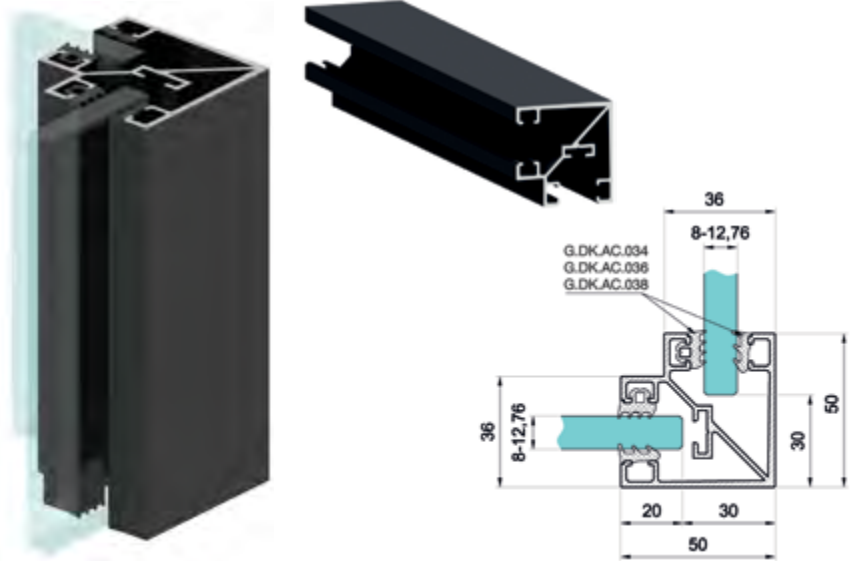


# Single Glazed Partition System

90° CORNER MULLION, INSTALLATION BRACKET & FIXED GLASS GASKETS

## 90° Corner Mullion

Creating that bulkier and more robust industrial look. This 90 degree mullion profile is better used with the 36 x 38 partition system. Easily installed using the bracket G.DK.LOFT.014 and the gaskets from the 36 x 38 partition system for your chosen glass thickness. This corner profile is better installed prior to any glass installation. The glass is then installed in the corner and then working away from it.



DESCRIPTION	FINISH	UNIT OF SALE	CODE
90° corner mullion	Black	3 metre	<b>G.DK.LOFT.013</b>

## 90° Corner Mullion Installation Bracket

Used in conjunction with the above corner mullion for fixing the profile to the ceiling and the floor.



DESCRIPTION	FINISH	UNIT OF SALE	CODE
90° corner mullion	Black	Each	<b>G.DK.LOFT.014</b>

## Fixed Glass Gaskets

Black Fixed Glass Gaskets For 8mm, 10mm and 12mm Glass.



DESCRIPTION	FINISH	UNIT OF SALE	GLASS THICKNESS	CODE
Fixed glass gasket	Black	Per metre	8mm	<b>G.DK.AC.034</b>
Fixed glass gasket	Black	Per metre	10mm	<b>G.DK.AC.036</b>
Fixed glass gasket	Black	Per metre	12mm	<b>G.DK.AC.038</b>

# 36x38 Single Glazed Partition System

36X38MM SINGLE GLAZED PARTITION SYSTEM

## Top Profile

G.DK.SG.SA.011  
G.DK.SG.BK.011



## Base Profile & Cover

G.DK.SG.SA.012  
G.DK.SG.BK.012



## Top & Base Gaskets

G.DK.AC.033  
G.DK.AC.034  
G.DK.AC.035  
G.DK.AC.036  
G.DK.AC.037  
G.DK.AC.038



## Base Profile & Cover

G.DK.SG.SA.012  
G.DK.SG.BK.012





### 180° Glass to Glass Joiners

JP10EZCC-180  
JP12EZCC-180



### 90° Glass to Glass Joiners

JP10EZCL-90  
JP12EZCL-90

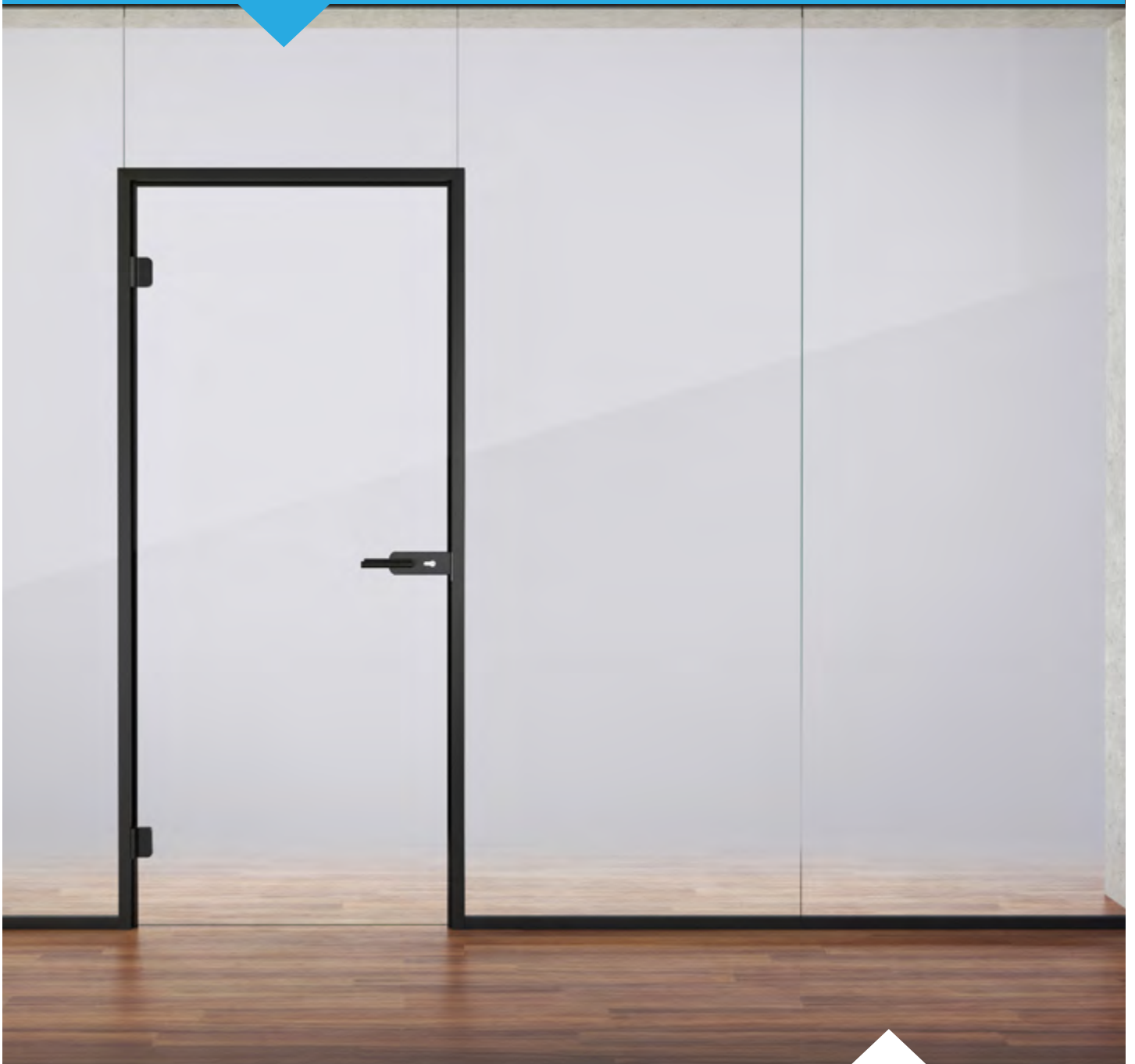


### Packers

G.DK.AC.005  
G.DK.AC.006  
G.DK.AC.007  
G.DK.AC.008



# Glass Door Frame Systems & Hinges



# Glass Door Frame Systems & Hinges

## FITTING THE INTEGRATED HINGE

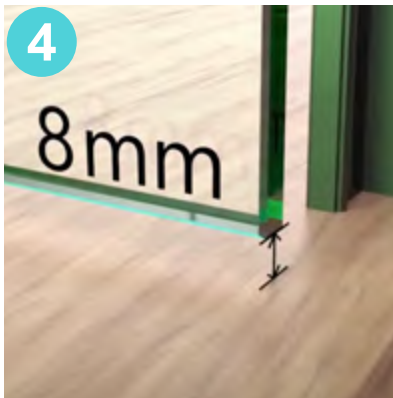
Slip the selected hinge into the frame before fitting the frame profile



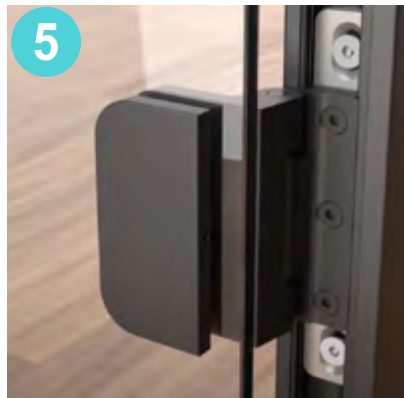
Fix the hinge in place using the allen head grub screws



Mount the glass door to the hinge using the relevant gaskets and fixings



Adjust the glass door vertically if needed



Fix the hinge into frame with an allen key when happy with position



Cut & clip on profile covers to leave a flush sleek finish



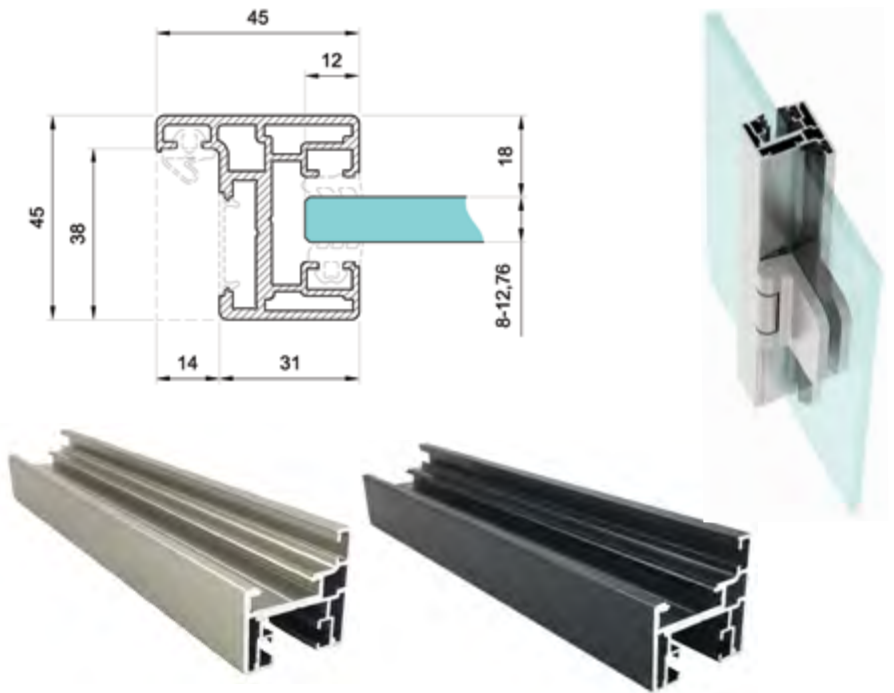
# Glass Door Frame Systems & Hinges

## H-TYPE GLASS TO GLASS DOOR FRAME SYSTEM

### H-Type Glass to Glass Door Frame

The H-type aluminium door frame with integrated hinge & receiver profile is suitable for glass thicknesses of 8-10mm. The recommended max door height is 2400mm. Above a height of 2200 mm, it is recommended to use 3 hinges.

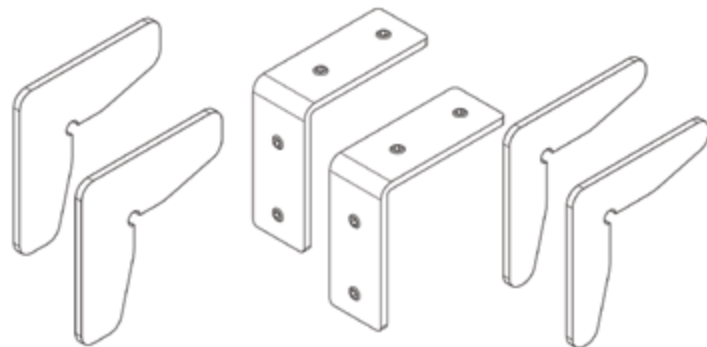
Installing of the hinges requires no drilling or milling and they can be adjusted in seconds which makes this system a favourite for the installer.



DESCRIPTION	FINISH	LENGTH	CODE
H- Type glass to glass door frame	Anodised	6000mm	<b>G.DK.SG.SA.006</b>
H- Type glass to glass door frame	Black	6000mm	<b>G.DK.SG.BK.006</b>

### Cleats for the H-Type Glass Door Frame

H-type door frame cleat kit available in Stainless Steel. Used to securely assemble the H-type door frame in order to keep the joints tight and secure. One kit required per door frame.



DESCRIPTION	FINISH	UNIT OF SALE	CODE
H-Type door frame cleat kit	Stainless steel	Set	<b>G.DK.AC.004</b>



# Glass Door Frame Systems & Hinges

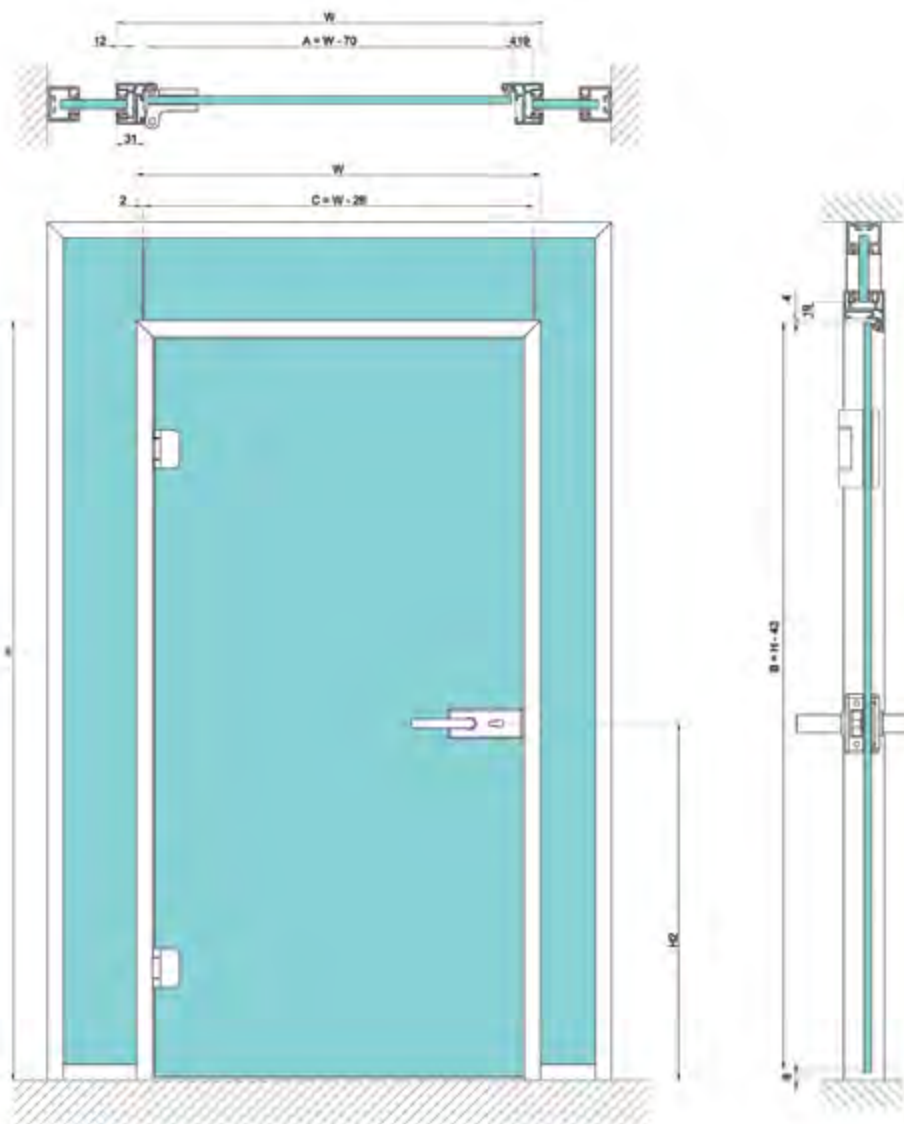
H-TYPE GLASS TO GLASS DOOR FRAME SYSTEM

## Door Frame to Bottom Track Cleat

Stainless Steel door frame to bottom track cleat. Used to secure each leg of a door frame to the floor or base track. One required for each leg of a door frame.



DESCRIPTION	FINISH	UNIT OF SALE	CODE
Door frame to bottom track cleat	Stainless steel	Each	G.DK.AC.026



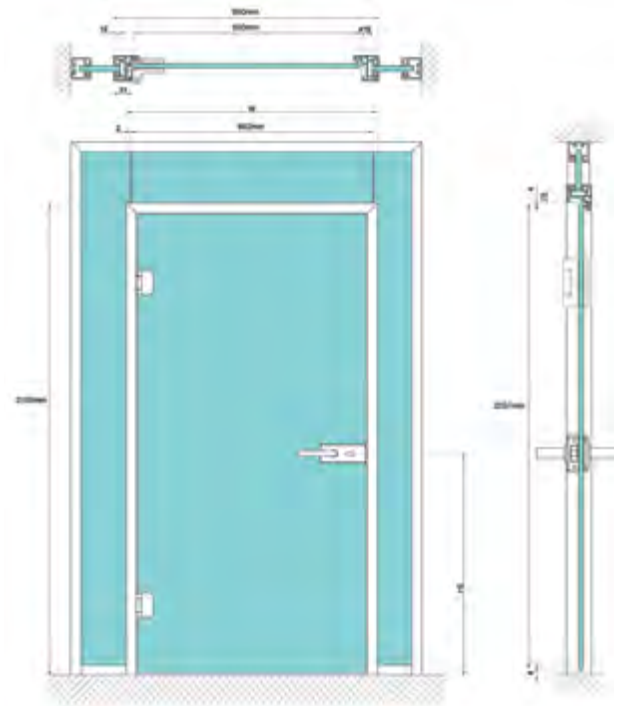
# Glass Door Frame Systems & Hinges

H-TYPE GLASS TO GLASS DOOR FRAME SYSTEM

## 850mm x 2100mm Door Frame Kit

Standard door frame kit pre cut to size to suit a 850mm x 2100mm door leaf. Included in the kit are all the cleats needed to assemble, pre mitred corners & gaskets. Just indicate the glass thickness to be used so that the correct gaskets can be shipped.

Hinges sold separately.  
Available in anodised grey or black.

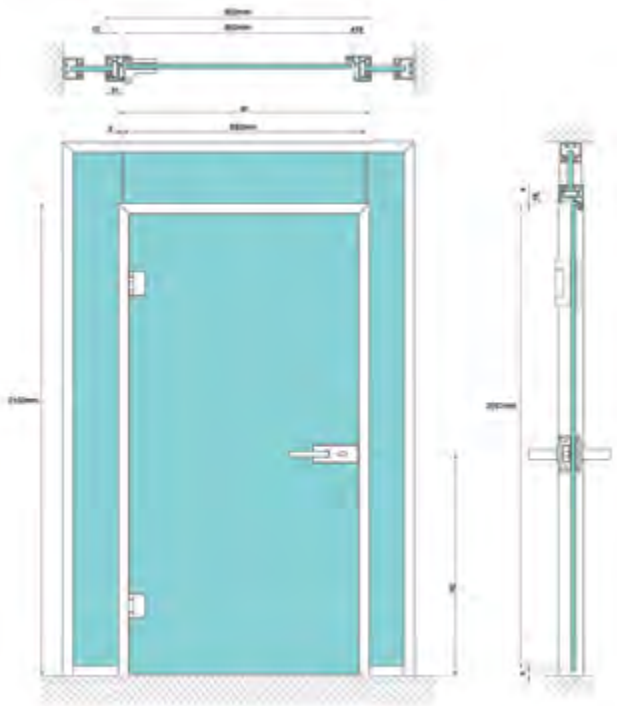


DESCRIPTION	FINISH	UNIT OF SALE	CODE
850mm x 2100mm door frame kit	Anodised grey	Kit	<b>G.DK.SG.SA.850</b>
850mm x 2100mm door frame kit	Black	Kit	<b>G.DK.SG.BK.850</b>

## 920mm x 2057mm Door Frame Kit

Standard door frame kit pre cut to size to suit a 920mm x 2057mm door leaf. Included in the kit are all the cleats needed to assemble, pre mitred corners & gaskets. Just indicate the glass thickness to be used so that the correct gaskets can be shipped.

Hinges sold separately.  
Available in anodised grey or black.



DESCRIPTION	FINISH	UNIT OF SALE	CODE
920mm x 2057 door frame kit	Anodised Grey	Kit	<b>G.DK.SG.SA.920</b>
920mm x 2057 door frame kit	Black	Kit	<b>G.DK.SG.BK.920</b>

# Glass Door Frame Systems & Hinges

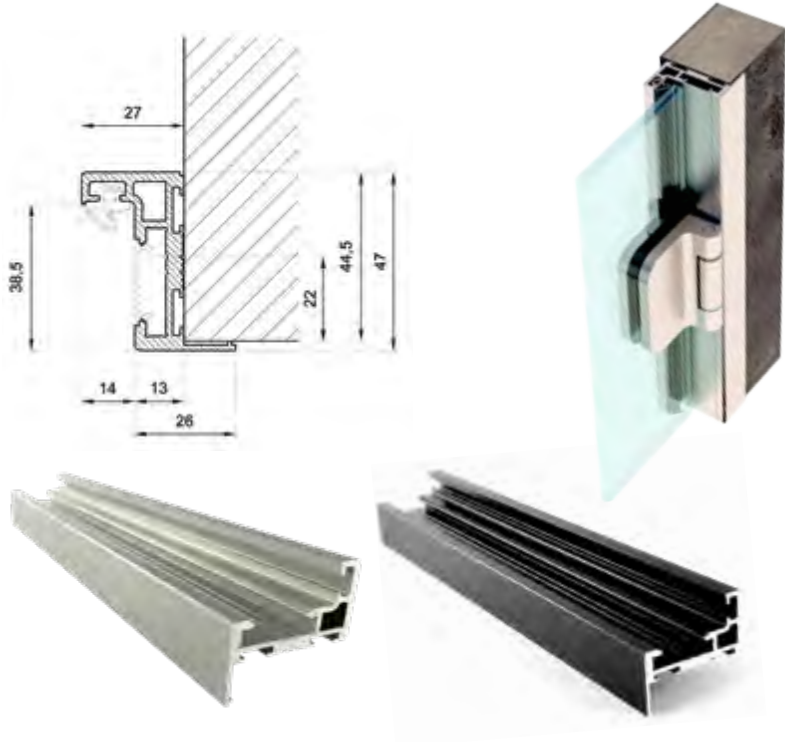
## Z-TYPE GLASS DOOR FRAME SYSTEM

### Z-Type Aluminium Door Frame For Glass Doors

The Z-type aluminium door frame with integrated hinge & receiver profile is suitable for glass thicknesses of 8-10mm. The recommended max door height is 2400mm. Above a height of 2200mm, it is recommended to use 3 hinges.

This profile is designed in a z type shape to cover the edge of the reveal and create a rebate for the glass door reducing noise and air movement.

Installing of the hinges requires no drilling or milling and they can be adjusted in seconds which makes this system a favourite for the installer.



DESCRIPTION	FINISH	LENGTH	CODE
Z-Type aluminium door frame	Anodised	6000mm	<b>G.DK.SG.SA.005</b>
Z-Type aluminium door frame	Black	6000mm	<b>G.DK.SG.BK.005</b>

### Cleat Kit for Z-Type Aluminium Door Frame For Glass Doors

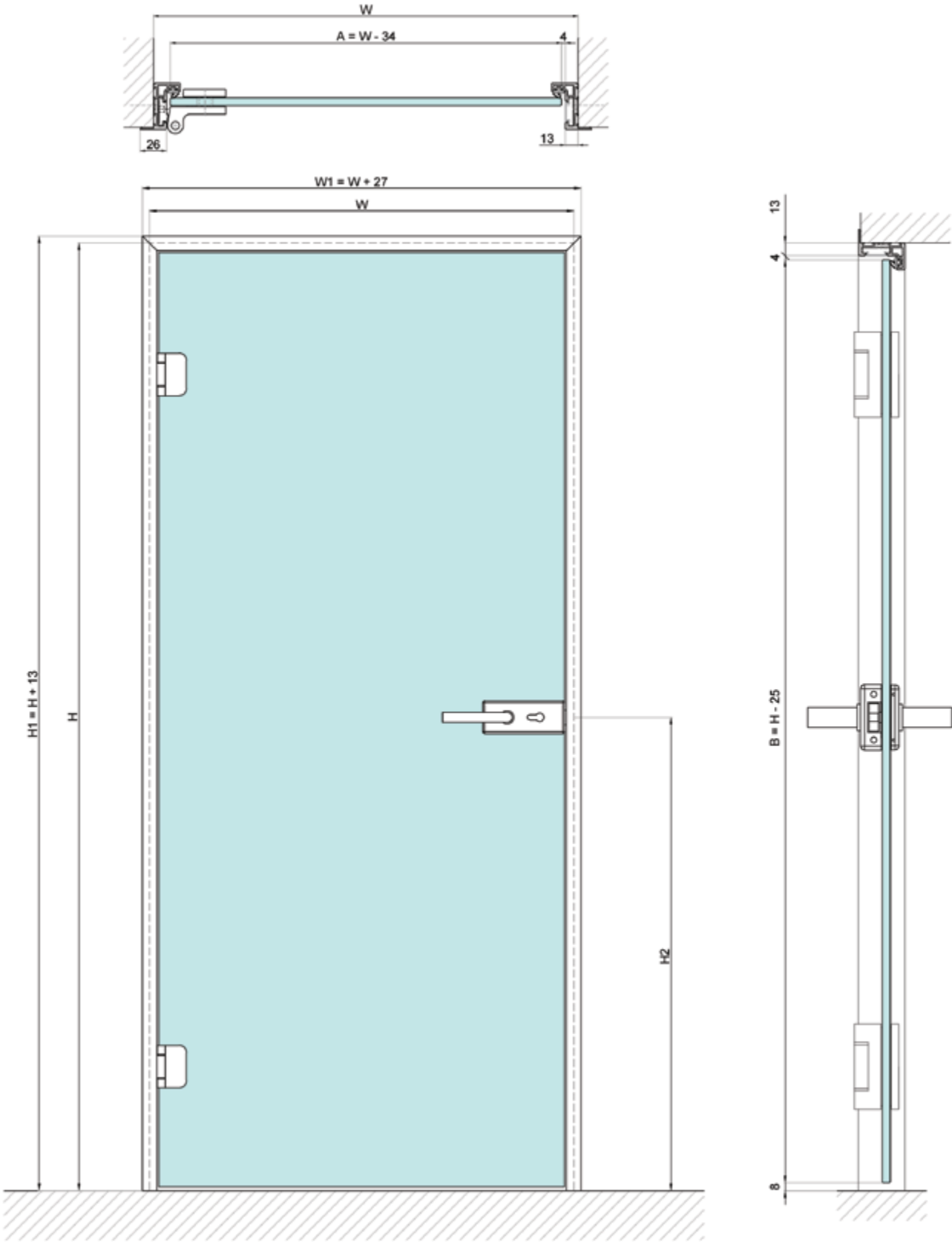
Designed to reinforce the corners of the assembled door frame ensuring tight and closed joints. One kit required per door frame.



DESCRIPTION	FINISH	UNIT OF SALE	CODE
Cleat Kit Type Z	Stainless steel	Set	<b>G.DK.AC.003</b>

# Glass Door Frame Systems & Hinges

Z-TYPE GLASS DOOR FRAME SYSTEM



# Glass Door Frame Systems & Hinges

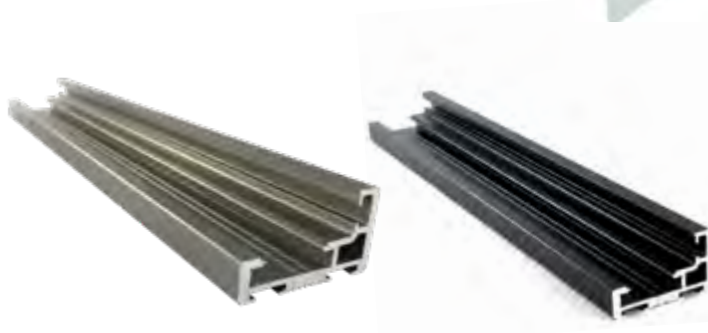
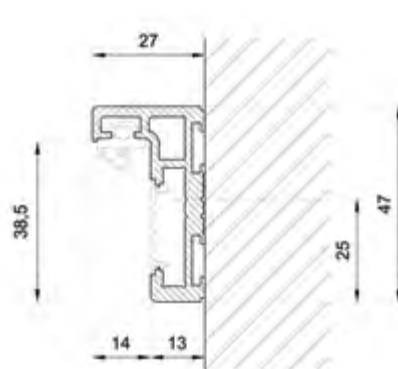
## L-TYPE GLASS DOOR FRAME SYSTEM

### L-Type Aluminium Door Frame For Glass Doors

The L-type aluminium door frame with integrated hinge & receiver profile is suitable for glass thicknesses of 8-10mm. The recommended max door height is 2400mm. Above a height of 2200 mm, it is recommended to use 3 hinges.

This profile is designed in a L type shape to sit in any reveal size over 50mm and create a rebate for the glass door to reduce both noise and air movement.

Installing of the hinges requires no drilling or milling and they can be adjusted in seconds which makes this system a favourite for the installer.



DESCRIPTION	FINISH	LENGTH	CODE
L-Type aluminium door frame	Anodised	6000mm	<b>G.DK.SG.SA.004</b>
L-Type aluminium door frame	Black	6000mm	<b>G.DK.SG.BK.004</b>

### Cleat Kit for L-Type Aluminium Door Frame For Glass Doors

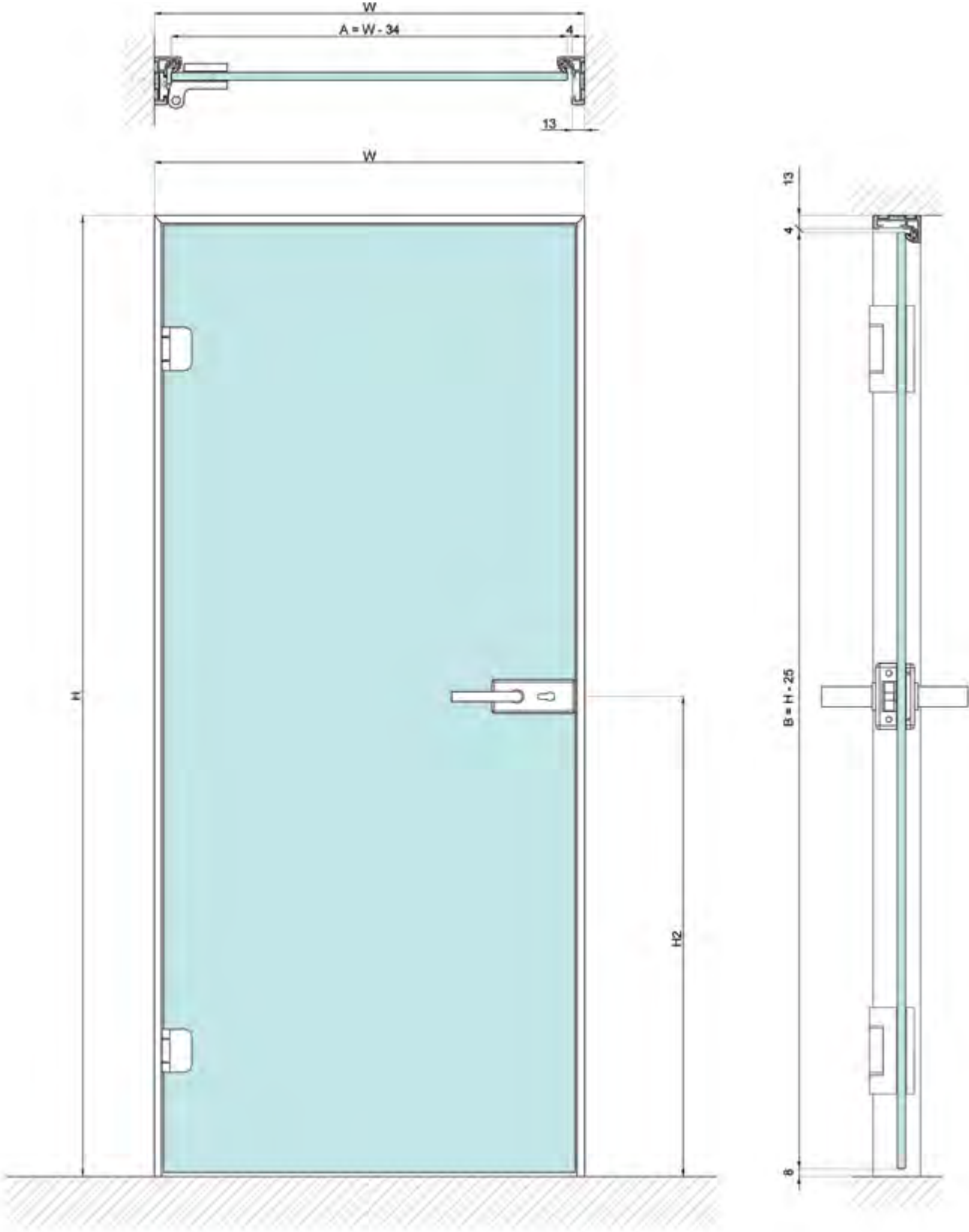
Designed to reinforce the corners of the assembled door frame ensuring tight and closed joints. One kit required per door frame.



DESCRIPTION	FINISH	UNIT OF SALE	CODE
Cleat Kit type L	Stainless steel	Set	<b>G.DK.AC.003</b>

# Glass Door Frame Systems & Hinges

## L-TYPE GLASS DOOR FRAME SYSTEM



# Glass Door Frame Systems & Hinges

REVEAL TYPE GLASS DOOR FRAME SYSTEM

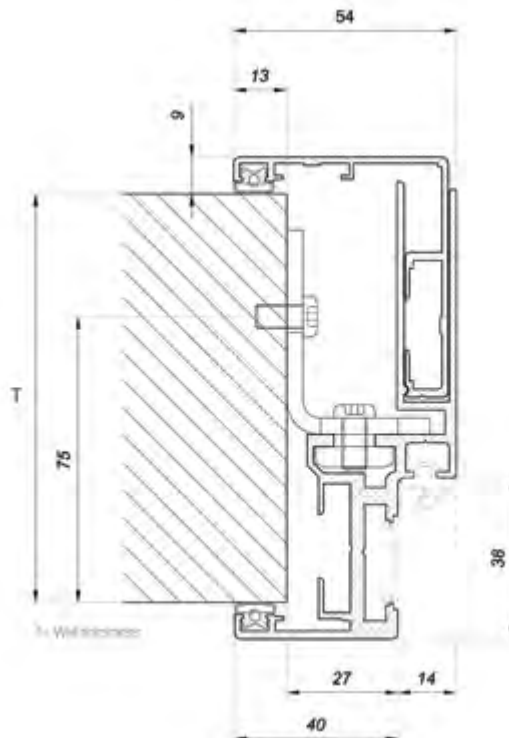
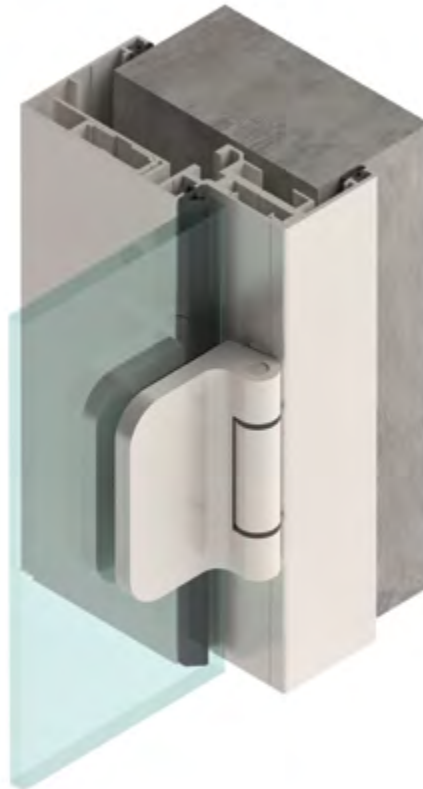
## Aluminium Stud/ Wall to Glass Door Frame - 100 - 130mm

This stud/wall to glass door aluminium door frame with integrated hinge & receiver profile is suitable for glass thicknesses of 8-10mm.

The recommended max door height is 2400mm. Above a height of 2200 mm, it is recommended to use 3 hinges. Suitable when the stud/wall thickness is 100-130mm.

This profile is designed in this shape to fit securely into a reveal covering opening edge like an architrave. The design creates a rebate for the glass door to reduce both noise and air movement.

Installing of the hinges requires no drilling or milling and they can be adjusted in seconds which makes this system a favourite for the installer.



DESCRIPTION	FINISH	LENGTH	(T) WALL THICKNESS	GLASS THICKNESS	CODE
Aluminium wall to glass door frame	Anodised	6000mm	100-130mm	8-10mm	<b>G.DK.SG.SA.001</b>
Aluminium wall to glass door frame	Black	6000mm	100-130mm	8-10mm	<b>G.DK.SG.BK.001</b>

# Glass Door Frame Systems & Hinges

REVEAL TYPE GLASS DOOR FRAME SYSTEM

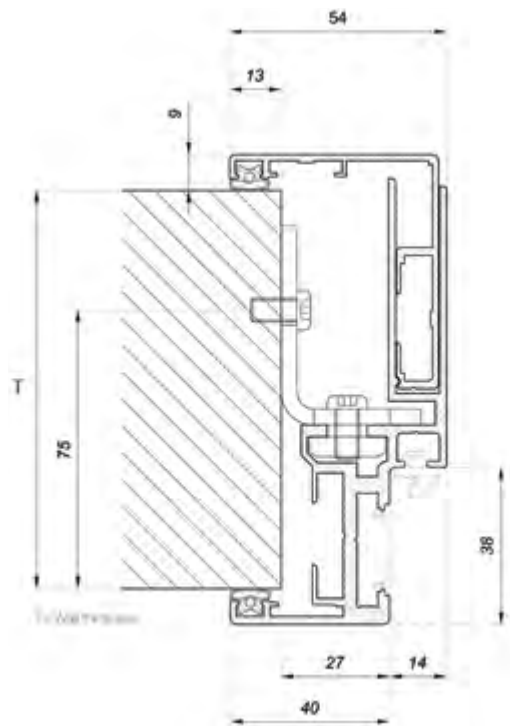
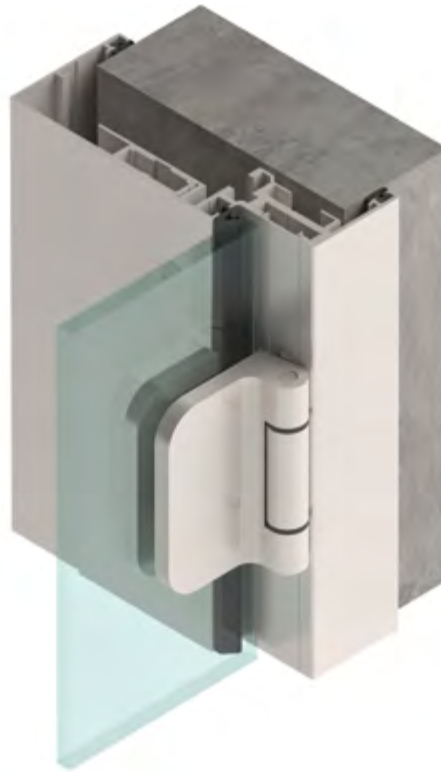
## Aluminium Stud/ Wall to Glass Door Frame - 130-160mm

This stud/wall to glass door aluminium door frame with integrated hinge & receiver profile is suitable for glass thicknesses of 8-10mm.

The recommended max door height is 2400mm. Above a height of 2200 mm, it is recommended to use 3 hinges. Suitable when the stud/wall thickness is 130-160mm.

This profile is designed in this shape to fit securely into a reveal covering opening edge like an architrave. The design creates a rebate for the glass door to reduce both noise and air movement.

Installing of the hinges requires no drilling or milling and they can be adjusted in seconds which makes this system a favourite for the installer.



DESCRIPTION	FINISH	LENGTH	(T) WALL THICKNESS	GLASS THICKNESS	CODE
Aluminium wall to glass door frame	Anodised	6000mm	130-160mm	8-10mm	<b>G.DK.SG.SA.002</b>
Aluminium wall to glass door frame	Black	6000mm	130-160mm	8-10mm	<b>G.DK.SG.BK.002</b>



# Glass Door Frame Systems & Hinges

## REVEAL TYPE GLASS DOOR FRAME SYSTEM

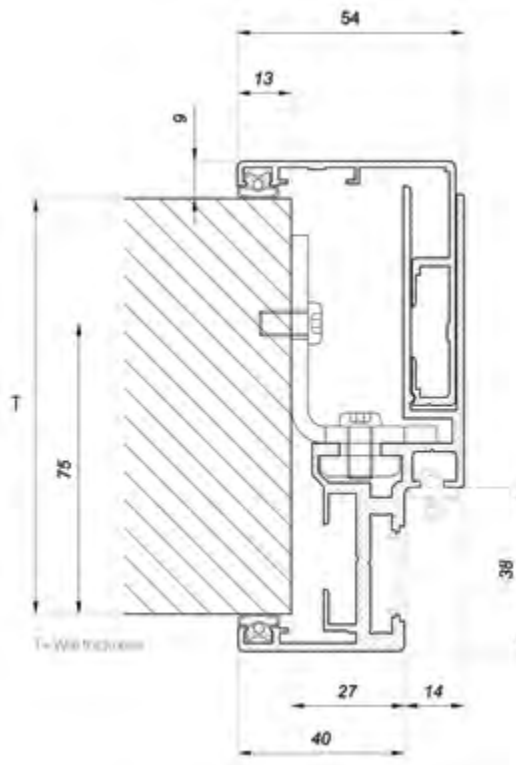
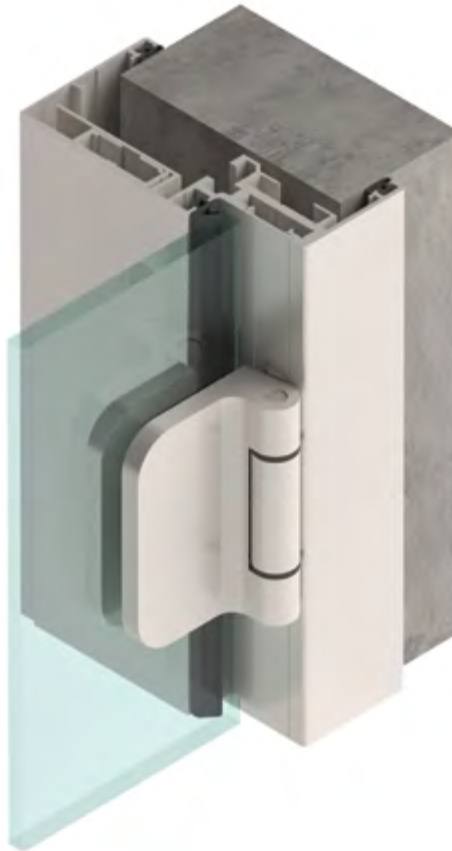
### Aluminium Stud/ Wall to Glass Door Frame - 160-195mm

This stud/wall to glass door aluminium door frame with integrated hinge & receiver profile is suitable for glass thicknesses of 8-10mm.

The recommended max door height is 2400mm. Above a height of 2200 mm, it is recommended to use 3 hinges. Suitable when the stud/wall thickness is 160-195mm.

This profile is designed in this shape to fit securely into a reveal covering opening edge like an architrave. The design creates a rebate for the glass door to reduce both noise and air movement.

Installing of the hinges requires no drilling or milling and they can be adjusted in seconds which makes this system a favourite for the installer.



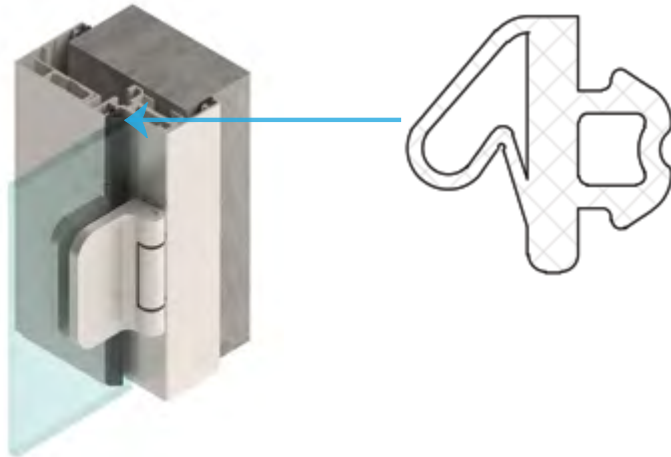
DESCRIPTION	FINISH	LENGTH	(T) WALL THICKNESS	GLASS THICKNESS	CODE
Aluminium wall to glass door frame	Anodised	6000mm	160-195mm	8-10mm	<b>G.DK.SG.SA.003</b>
Aluminium wall to glass door frame	Black	6000mm	160-195mm	8-10mm	<b>G.DK.SG.BK.003</b>

# Glass Door Frame Systems & Hinges

REVEAL TYPE GLASS DOOR FRAME SYSTEM

## Glass Door Rebate Gaskets

Gaskets used where the glass door meets the aluminium rebate of the door frame profile ensuring a soft close and reduced noise and air movement. Available for 8 or 10mm glass thickness and in Grey and Black.



DESCRIPTION	FINISH	UNIT OF SALE	GLASS THICKNESS	CODE
Glass door rebate gasket	Grey	Per metre	8mm	<b>G.DK.AC.009</b>
Glass door rebate gasket	Grey	Per metre	10mm	<b>G.DK.AC.010</b>
Glass door rebate gasket	Black	Per metre	8mm	<b>G.DK.AC.011</b>
Glass door rebate gasket	Black	Per metre	10mm	<b>G.DK.AC.012</b>

## Filler Strip

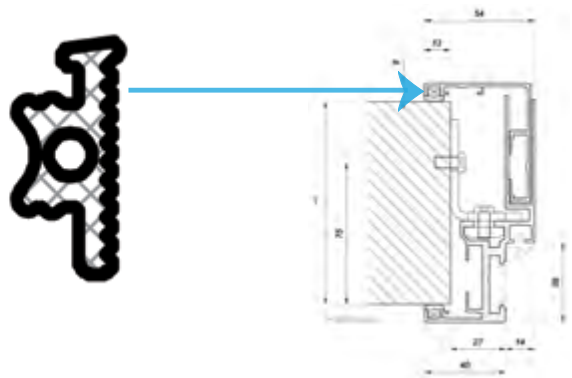
The door frame filler strip is cut and easily snapped in to place to cover the hinge and receiver tracks on all the door frame profiles. Cut and snap in the filler strip wherever required for a flush and seamless finish.



DESCRIPTION	FINISH	LENGTH	CODE
Filler strip	Anodised	6000mm	<b>G.DK.SG.SA.007</b>
Filler strip	Black	6000mm	<b>G.DK.SG.BK.007</b>

## Aluminium Wall to Glass Door Frame Gasket

This gasket is used to create a seal where the door frame meets the wall. Available in black and grey.



DESCRIPTION	FINISH	UNIT OF SALE	CODE
Aluminium wall to glass door frame gasket	Black	Per metre	<b>G.DK.AC.031</b>
Aluminium wall to glass door frame gasket	Grey	Per metre	<b>G.DK.AC.032</b>

# Glass Door Frame Systems & Hinges

REVEAL TYPE GLASS DOOR FRAME SYSTEM

## Cleat Kit For Stud To Glass Door Frame

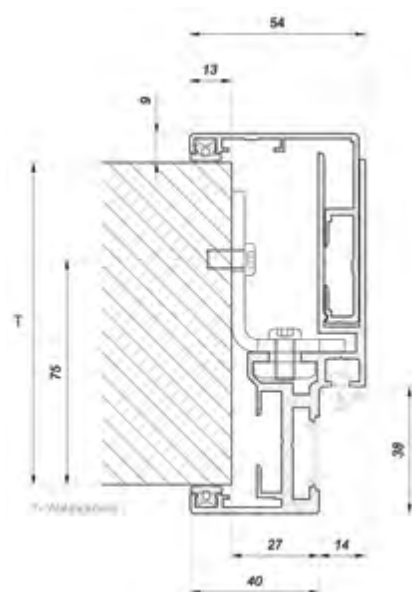
Cleat kit available in Stainless steel. Used to securely assemble the stud to glass door frame in order to keep the joints tight and secure. One kit required per door frame.



DESCRIPTION	FINISH	UNIT OF SALE	CODE
Cleat kit for stud to glass door frame	Stainless steel	Set of 8	<b>G.DK.AC.001</b>

## Adjustable Fixing Brackets For Stud To Glass Door Frame

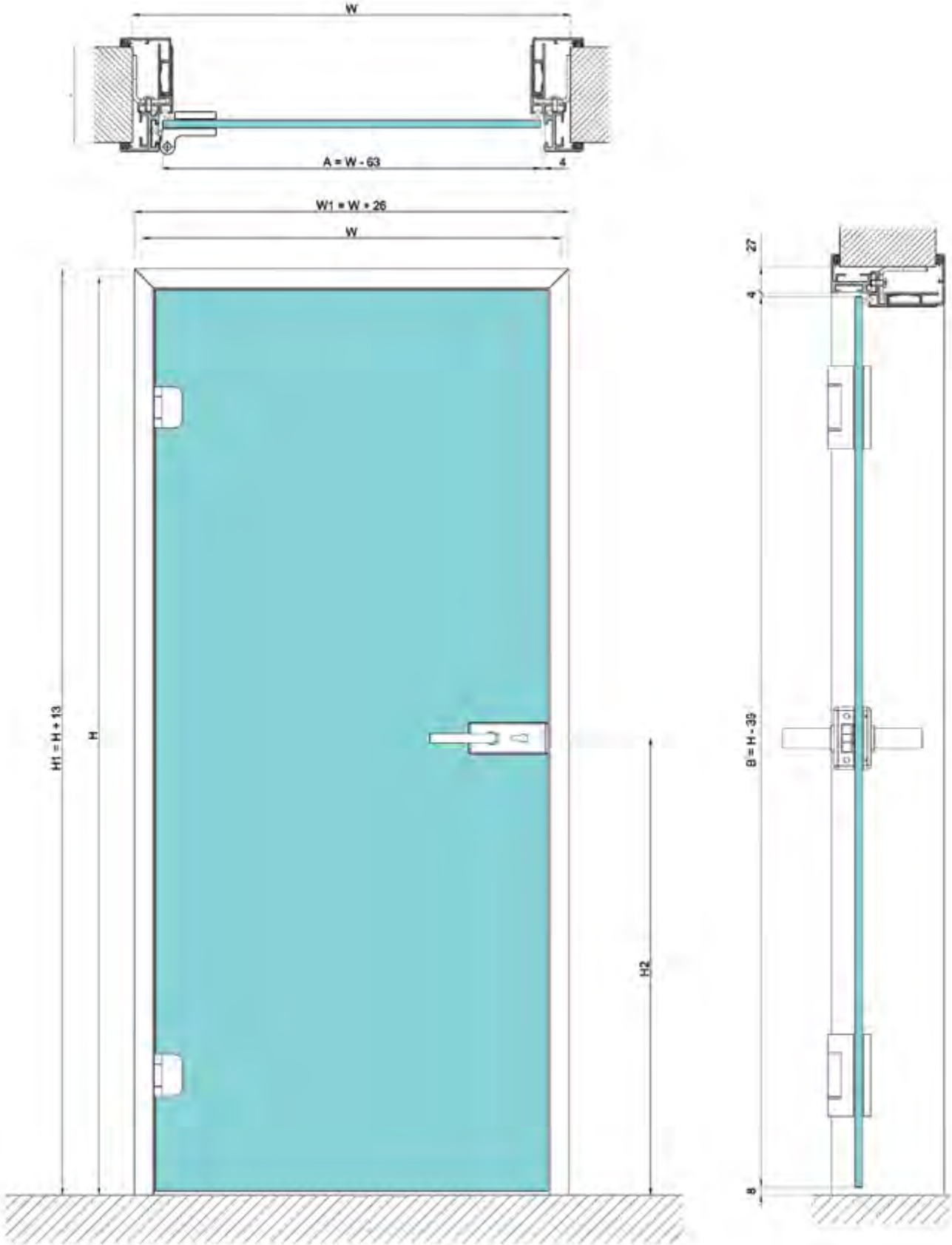
Adjustable Fixing Brackets for Stud to Glass Door Frame which fixes the frame to the wall. The slotted holes allow for adjustment in the frame in both directions.



DESCRIPTION	FINISH	UNIT OF SALE	CODE
Adjustable fixing brackets for stud to glass door frame	Stainless steel	Set of 7	<b>G.DK.AC.002</b>

# Glass Door Frame Systems & Hinges

REVEAL TYPE GLASS DOOR FRAME SYSTEM

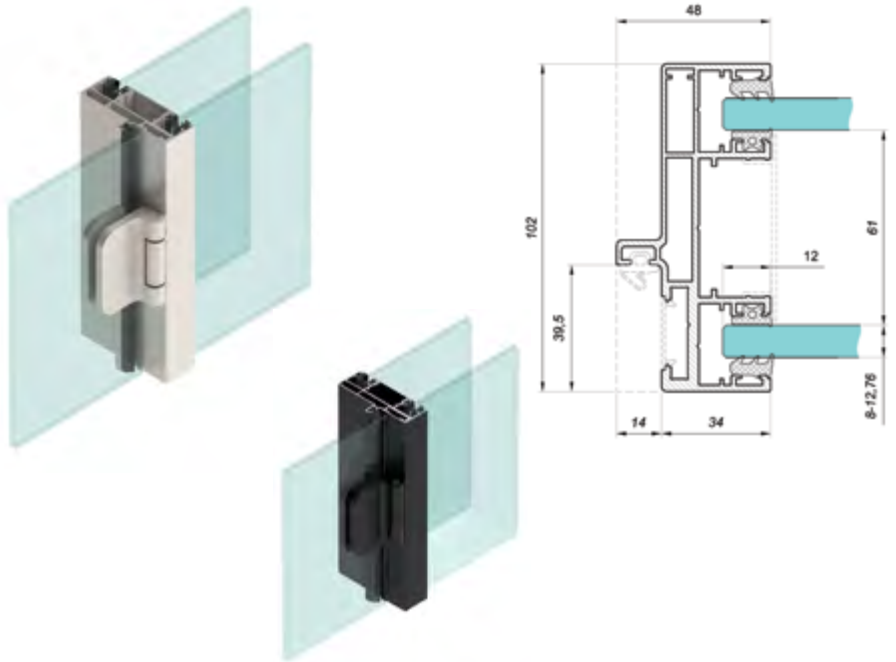


# Glass Door Frame Systems & Hinges

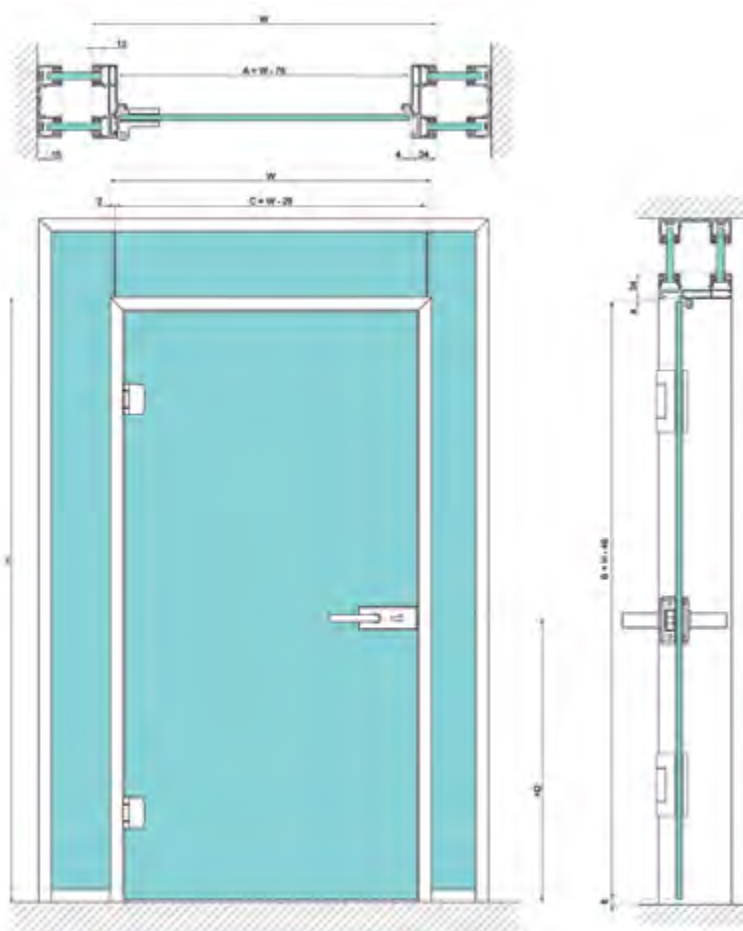
DOUBLE GLAZED GLASS DOOR FRAME SYSTEM

## Double Glazed Partition to Door Frame Profile

The double glazed aluminium door frame with integrated hinge & receiver profile is suitable for glass door thicknesses of 8-10mm and 8 - 12.76mm thick fixed panels. The recommended max door height is 2400mm. Above a height of 2200 mm, it is recommended to use 3 hinges. Installing of the hinges requires no drilling or milling and they can be adjusted in seconds which makes this system a favourite for the installer.



DESCRIPTION	FINISH	LENGTH	CODE
Double glazed partition to door frame profile	Anodised	6000mm	<b>G.DK.DG.SA.001</b>
Double glazed partition to door frame profile	Black	6000mm	<b>G.DK.DG.BK.001</b>

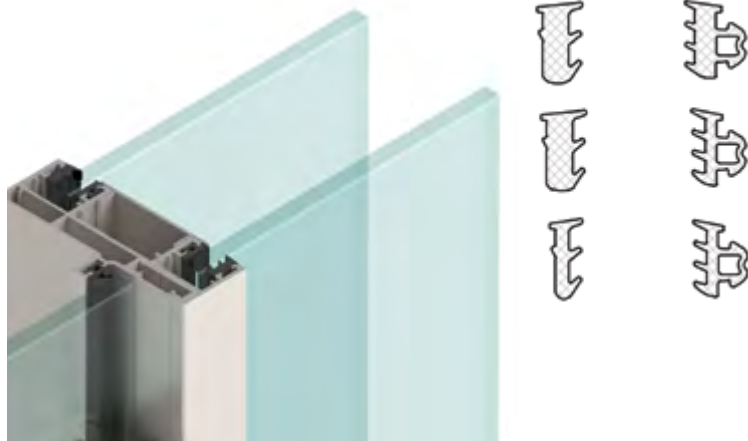


# Glass Door Frame Systems & Hinges

DOUBLE GLAZED GLASS DOOR FRAME SYSTEM

## Grey Gasket Set For Fixed Panels On Double Glazed Door Frame

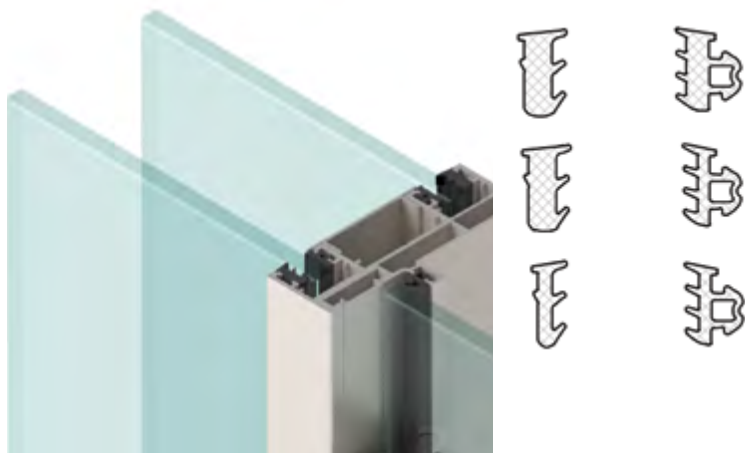
Available for 8mm, 10mm and 12mm thick glass



DESCRIPTION	FINISH	UNIT OF SALE	GLASS THICKNESS	CODE
Fixed glass gasket	Grey	Per metre	8mm	<b>G.DK.AC.033</b>
Fixed glass gasket	Grey	Per metre	10mm	<b>G.DK.AC.035</b>
Fixed glass gasket	Grey	Per metre	12mm	<b>G.DK.AC.037</b>

## Black Gasket Set For Fixed Panels On Double Glazed Door Frame

Available for 8mm, 10mm and 12mm thick glass.



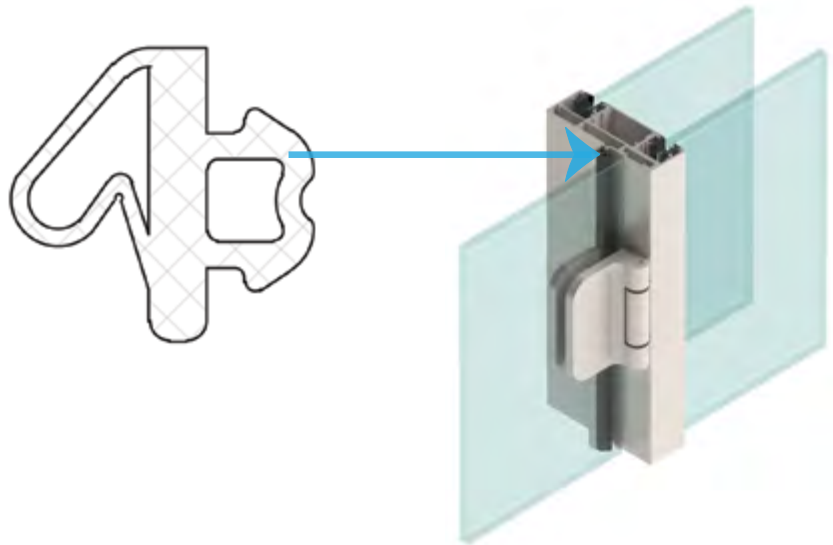
DESCRIPTION	FINISH	UNIT OF SALE	GLASS THICKNESS	CODE
Fixed glass gasket	Black	Per metre	8mm	<b>G.DK.AC.034</b>
Fixed glass gasket	Black	Per metre	10mm	<b>G.DK.AC.036</b>
Fixed glass gasket	Black	Per metre	12mm	<b>G.DK.AC.038</b>

# Glass Door Frame Systems & Hinges

DOUBLE GLAZED GLASS DOOR FRAME SYSTEM

## Glass Door Rebate Gaskets

Gaskets used where the glass door meets the aluminium rebate of the door frame profile ensuring a soft close and reduced noise and air movement. Available for 8 or 10mm glass thickness and in Grey and Black.



DESCRIPTION	FINISH	UNIT OF SALE	GLASS THICKNESS	CODE
Glass door rebate gasket	Grey	Per metre	8mm	<b>G.DK.AC.009</b>
Glass door rebate gasket	Grey	Per metre	10mm	<b>G.DK.AC.010</b>
Glass door rebate gasket	Black	Per metre	8mm	<b>G.DK.AC.011</b>
Glass door rebate gasket	Black	Per metre	10mm	<b>G.DK.AC.012</b>

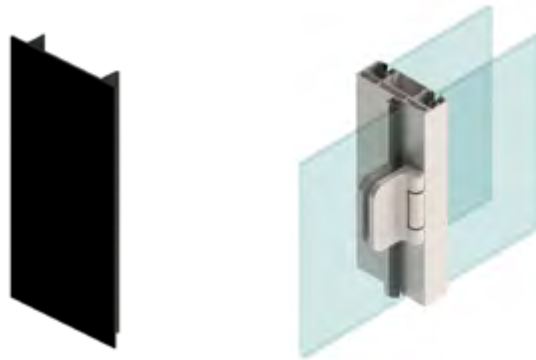


# Glass Door Frame Systems & Hinges

DOUBLE GLAZED GLASS DOOR FRAME SYSTEM

## Double Glazed Profile Centre Cover

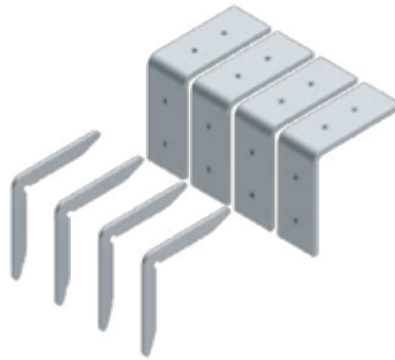
This cover is snapped easily into place before the glass installed, hiding the void in the tracks between the two glass panes. Available in anodised aluminium or black.



DESCRIPTION	FINISH	LENGTH	CODE
Double glazed profile centre cover	Anodised	6000mm	<b>G.DK.DG.SA.004</b>
Double glazed profile centre cover	Black	6000mm	<b>G.DK.DG.BK.004</b>

## Double Glazed Door Frame Cleat Kit

Double glazed door frame cleat kit available in Stainless Steel. Used to securely assemble the door frame in order to keep the joints tight and secure. One kit required per door frame.



DESCRIPTION	FINISH	UNIT OF SALE	CODE
Double glazed door frame cleat kit	Stainless steel	Kit	<b>G.DK.AC.028</b>

## Stainless Steel Door Frame to Bottom Track Cleat.

Used to secure each leg of a door frame to the floor or base track. One required for each leg of a door frame.



DESCRIPTION	FINISH	UNIT OF SALE	CODE
Door frame to bottom track cleat	Stainless steel	Each	<b>G.DK.AC.027</b>

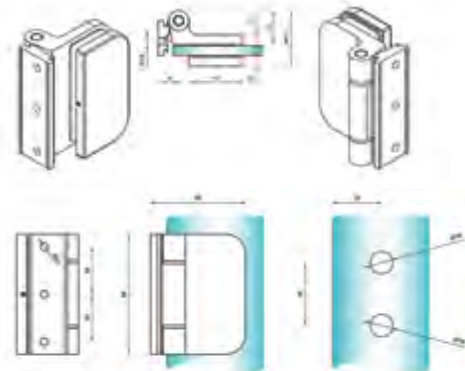


# Glass Door Frame Systems & Hinges

DYNAMIK INTEGRATED HINGES & ACCESSORIES

## Dynamik Integrated Hinges (Round Corners)

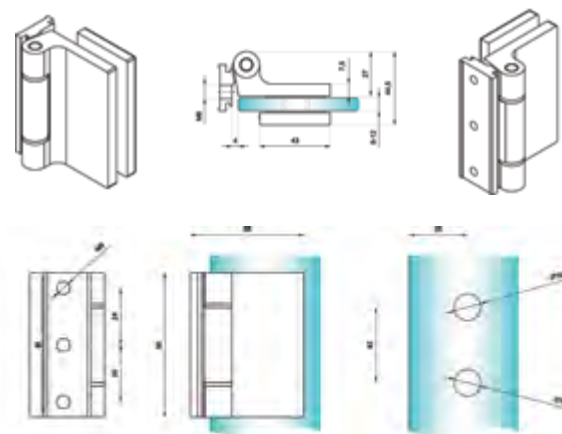
The Round integrated door hinges work with the H-type, Z- type and L-type aluminium door frames and are suitable for glass thicknesses of 8-10mm. The recommended max door height is 2400mm. Above a height of 2200 mm, it is recommended to use 3 hinges.



DESCRIPTION	FINISH	UNIT OF SALE	CODE
Round corner integrated hinges	Anodised	Each	<b>G.DK.SG.SA.008</b>
Round corner integrated hinges	Black	Each	<b>G.DK.SG.BK.008</b>
Round corner integrated hinges	SS effect	Each	<b>G.DK.SG.SS.008</b>

## Dynamik Integrated Hinges (Square Corners)

The Square integrated door hinges work with the H-type, Z- type and L-type aluminium door frames and are suitable for glass thicknesses of 8-10mm. The recommended max door height is 2400mm. Above a height of 2200 mm, it is recommended to use 3 hinges.



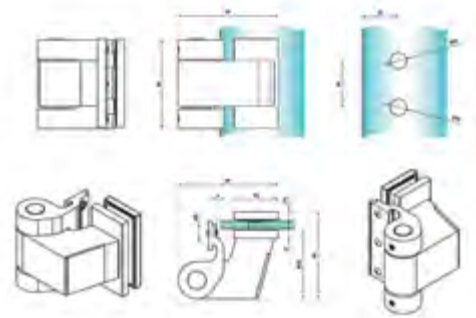
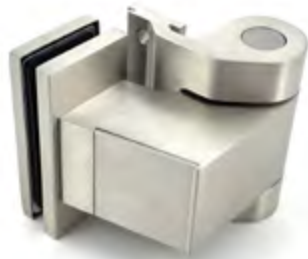
DESCRIPTION	FINISH	UNIT OF SALE	CODE
Square corner integrated hinges	Anodised	Each	<b>G.DK.SG.SA.008.SQ</b>
Square corner integrated hinges	Black	Each	<b>G.DK.SG.BK.008.SQ</b>
Square corner integrated hinges	SS effect	Each	<b>G.DK.SG.SS.008.SQ</b>

# Glass Door Frame Systems & Hinges

DYNAMIK INTEGRATED HINGES & ACCESSORIES

## Hydraulic Hinges

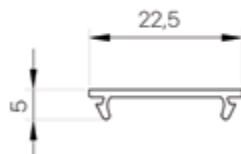
Hydraulic hinges work with the H-type, Z- type and L-type aluminium door frames and are suitable for glass thicknesses of 8-10mm. The recommended max door height is 2400mm. The max load for two hinges is 60kg. The speed of closing can be adjusted. Set consists of one upper hinge and one bottom hinge. Available in Anodised, Black and SS Effect.



DESCRIPTION	FINISH	UNIT OF SALE	CODE
Hydraulic hinges	Anodised	Set	<b>NTZ-1000-SET-NA</b>
Hydraulic hinges	Black	Set	<b>NTZ-1000-SET-NA</b>
Hydraulic hinges	SS effect	Set	<b>NTZ-1000-SET-NA</b>

## Filler Strip

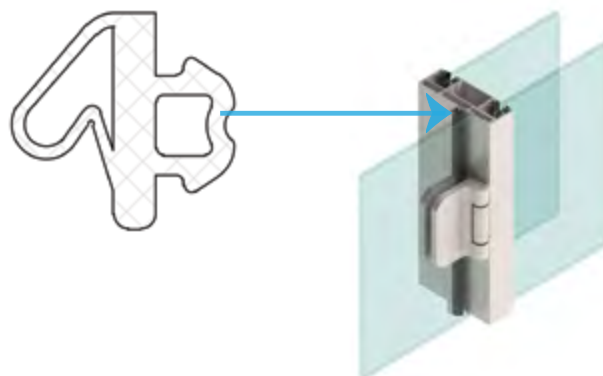
The door frame filler strip is cut and easily snapped in to place to cover the hinge and receiver tracks on all the door frame profiles. Cut and snap in the filler strip wherever required for a flush and seamless finish.



DESCRIPTION	FINISH	LENGTH	CODE
Door frame filler strip	Anodised	6000mm	<b>G.DK.SG.SA.007</b>
Door frame filler strip	Black	6000mm	<b>G.DK.SG.BK.007</b>

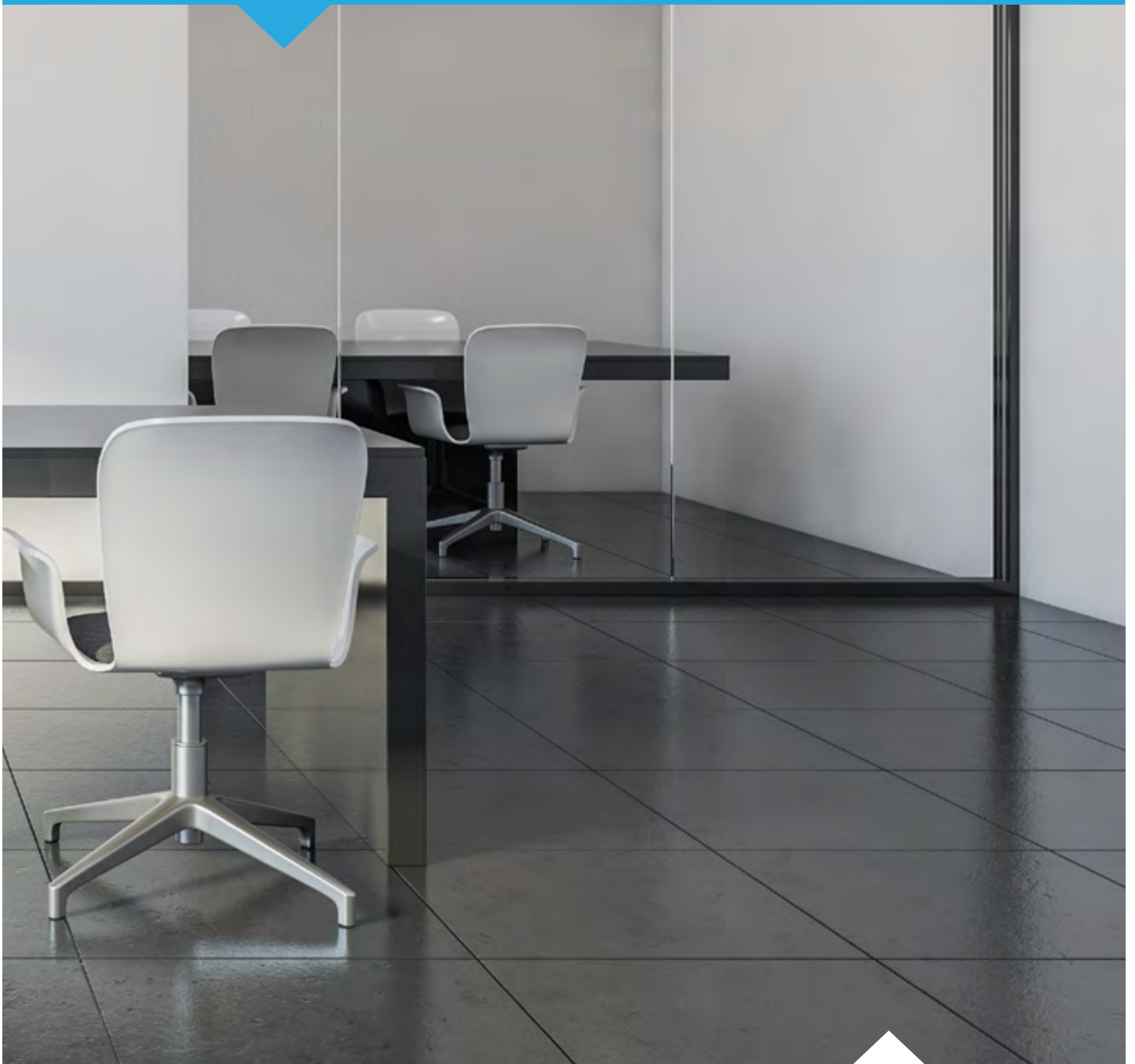
## Glass Door Rebate Gaskets

Gaskets used where the glass door meets the aluminium rebate of the door frame profile ensuring a soft close and reduced noise and air movement. Available for 8 or 10mm glass thickness and in Grey and Black.



DESCRIPTION	FINISH	UNIT OF SALE	GLASS THICKNESS	CODE
Glass door rebate gasket	Grey	Per metre	8mm	<b>G.DK.AC.009</b>
Glass door rebate gasket	Grey	Per metre	10mm	<b>G.DK.AC.010</b>
Glass door rebate gasket	Black	Per metre	8mm	<b>G.DK.AC.011</b>
Glass door rebate gasket	Black	Per metre	10mm	<b>G.DK.AC.012</b>

# Double Glazed Partition Systems

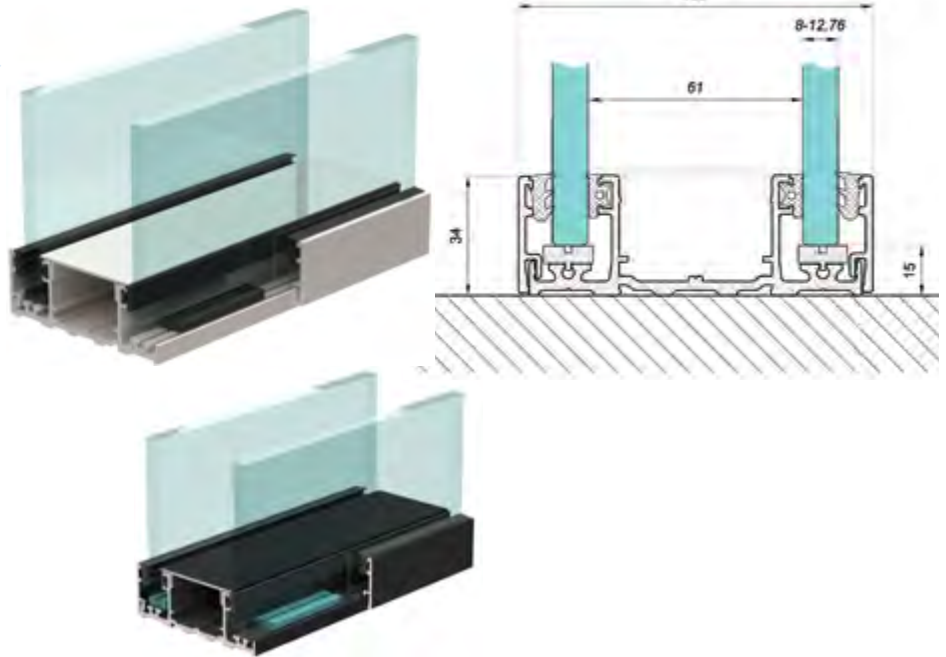


# Double Glazed Partition System

34 X 100MM DOUBLE GLAZED PARTITION SYSTEM

## Double Glazed Partition Base Profile

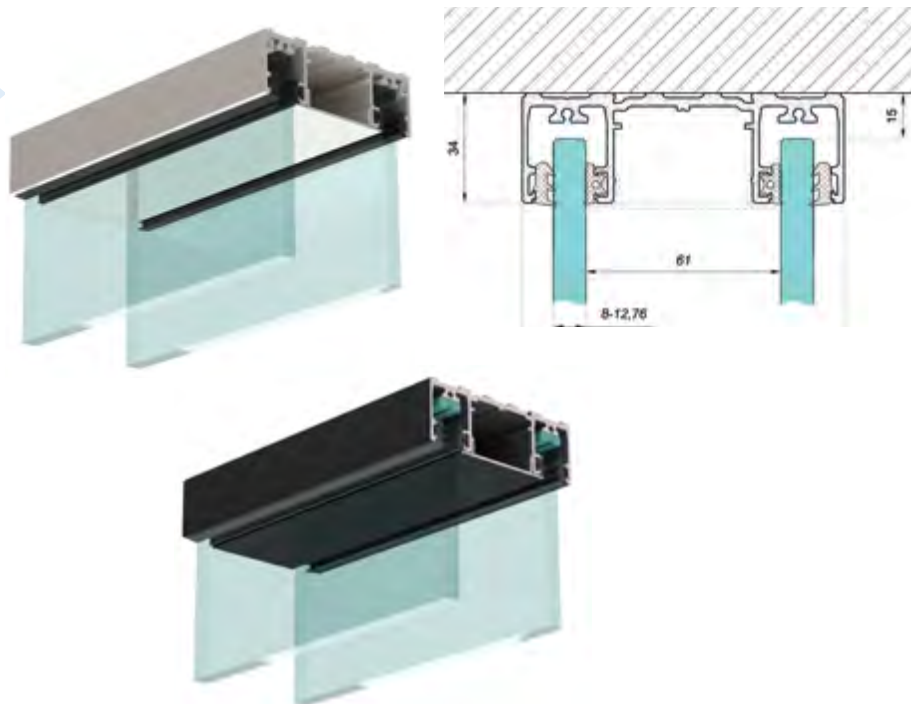
Double glazed base profile is suitable for glass thicknesses of 8-12.76mm. Max height should not exceed 3200mm. For heights over 2800mm, 12mm or 13.5mm laminate glass is recommended.



DESCRIPTION	FINISH	LENGTH	CODE
Double glazed partition base profile	Anodised	6000mm	<b>G.DK.DG.SA.002</b>
Double glazed partition base profile	Black	6000mm	<b>G.DK.DG.BK.002</b>

## Double Glazed Partition Top Profile

Double glazed top profile is suitable for glass thicknesses of 8-12.76mm. Max height should not exceed 3200mm. For heights over 2800mm, 12mm or 13.5mm laminate glass is recommended.



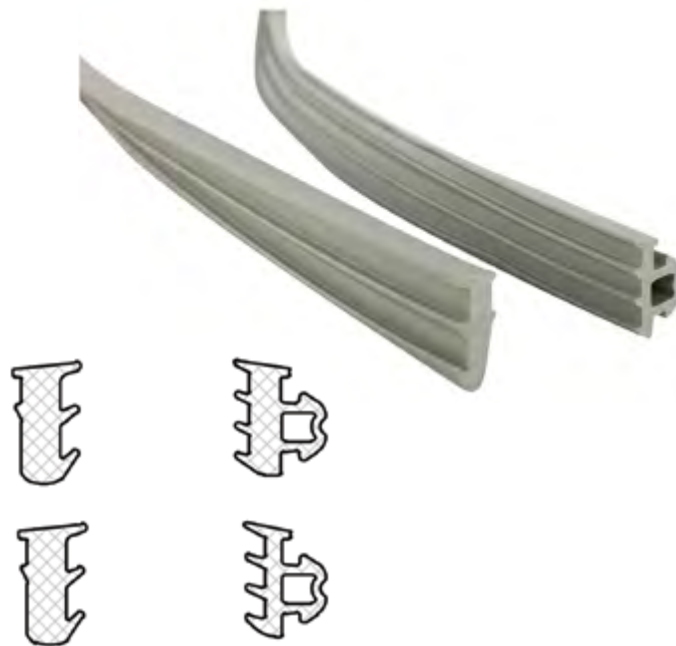
DESCRIPTION	FINISH	LENGTH	CODE
Double glazed partition top profile	Anodised	6000mm	<b>G.DK.DG.SA.003</b>
Double glazed partition top profile	Black	6000mm	<b>G.DK.DG.BK.003</b>

# Double Glazed Partition System

34 X 100MM DOUBLE GLAZED PARTITION SYSTEM

## Grey 36 x 38mm Top & Base Profile Gaskets

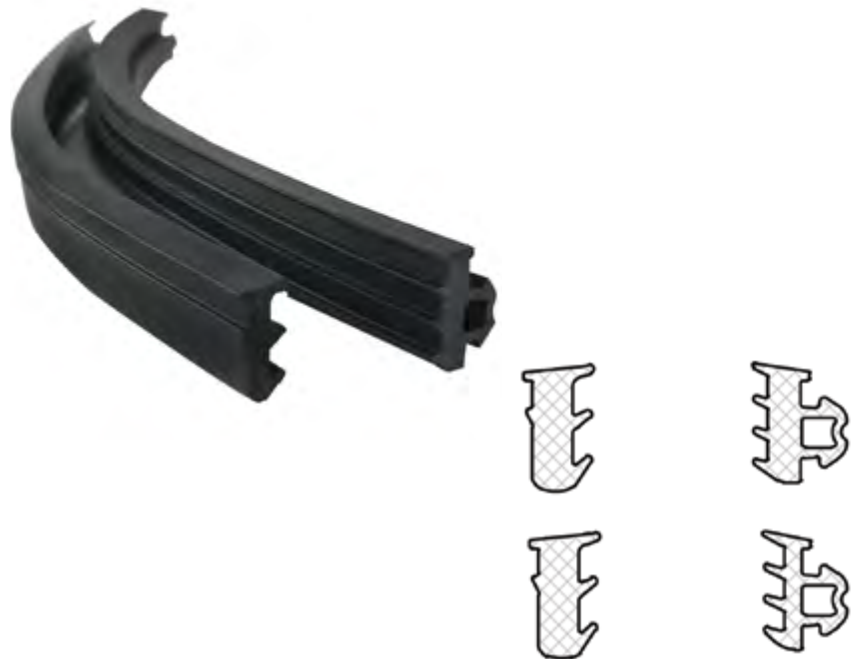
Grey 36 x 38mm top & base profile gaskets to suit 8mm, 10mm & 12mm glass. The left hand gasket in the product image is installed in to the profile before the glass and the right hand gasket is wedged in to secure the glass.



DESCRIPTION	FINISH	UNIT OF SALE	GLASS THICKNESS	CODE
36x38mm top & base profile gaskets	Grey	Per metre	8mm	<b>G.DK.AC.033</b>
36x38mm top & base profile gaskets	Grey	Per metre	10mm	<b>G.DK.AC.035</b>
36x38mm top & base profile gaskets	Grey	Per metre	12mm	<b>G.DK.AC.037</b>

## Black 36 x 38mm Top & Base Profile Gaskets

Grey 36 x 38mm top & base profile gaskets to suit 8mm, 10mm & 12mm glass. The right hand gasket in the product image is installed in to the profile before the glass and the left hand gasket is wedged in to secure the glass.



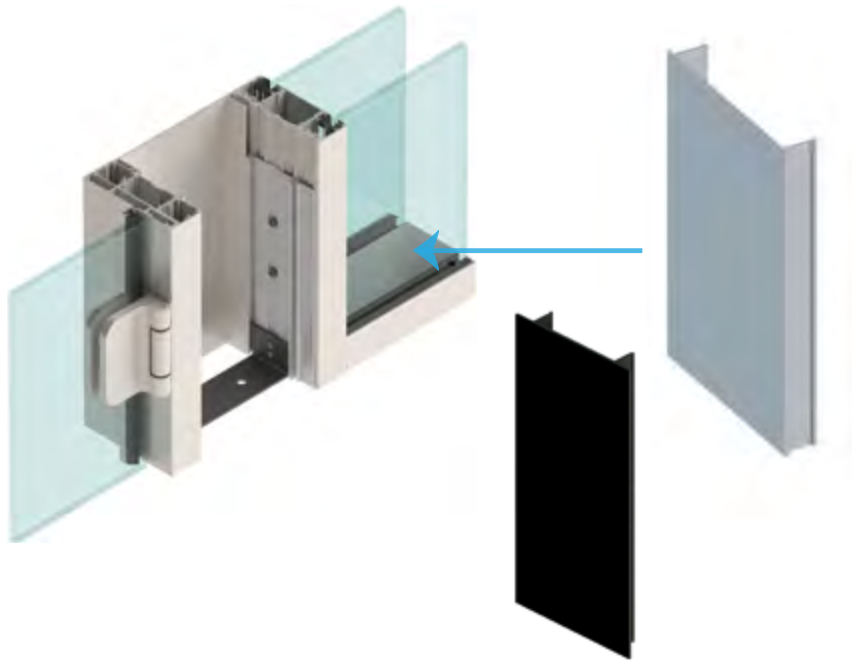
DESCRIPTION	FINISH	UNIT OF SALE	GLASS THICKNESS	CODE
36x38mm top & base profile gaskets	Black	Per metre	8mm	<b>G.DK.AC.034</b>
36x38mm top & base profile gaskets	Black	Per metre	10mm	<b>G.DK.AC.036</b>
36x38mm top & base profile gaskets	Black	Per metre	12mm	<b>G.DK.AC.038</b>

# Double Glazed Partition System

34 X 100MM DOUBLE GLAZED PARTITION SYSTEM

## Double Glazed Profile Centre Cover

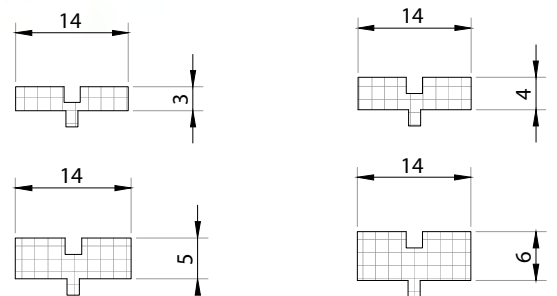
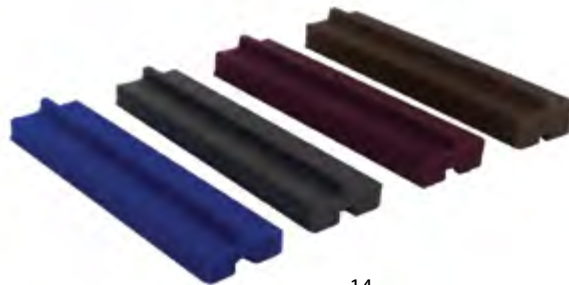
This cover is snapped easily into place before the glass installed hiding the void in the tracks between the two glass panes. Available in anodised aluminium or black.



DESCRIPTION	FINISH	LENGTH	CODE
Double glazed profile centre cover	Anodised	6000mm	<b>G.DK.DG.SA.004</b>
Double glazed profile centre cover	Black	6000mm	<b>G.DK.DG.BK.004</b>

## Packers

Available in four different thicknesses, 3, 4, 5 & 6mm. These packers slot easily into the base track under the glass to adjust the glass height.



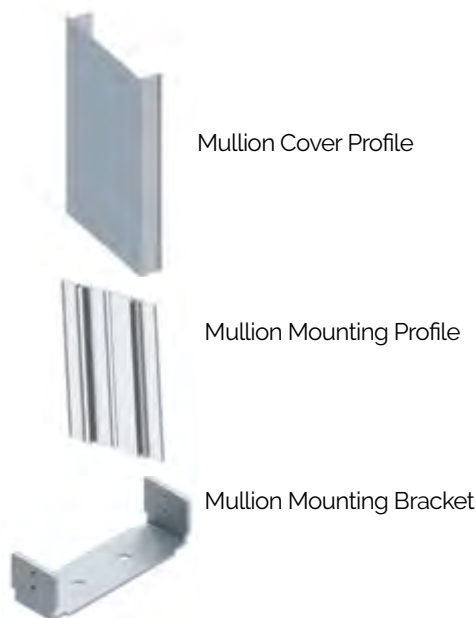
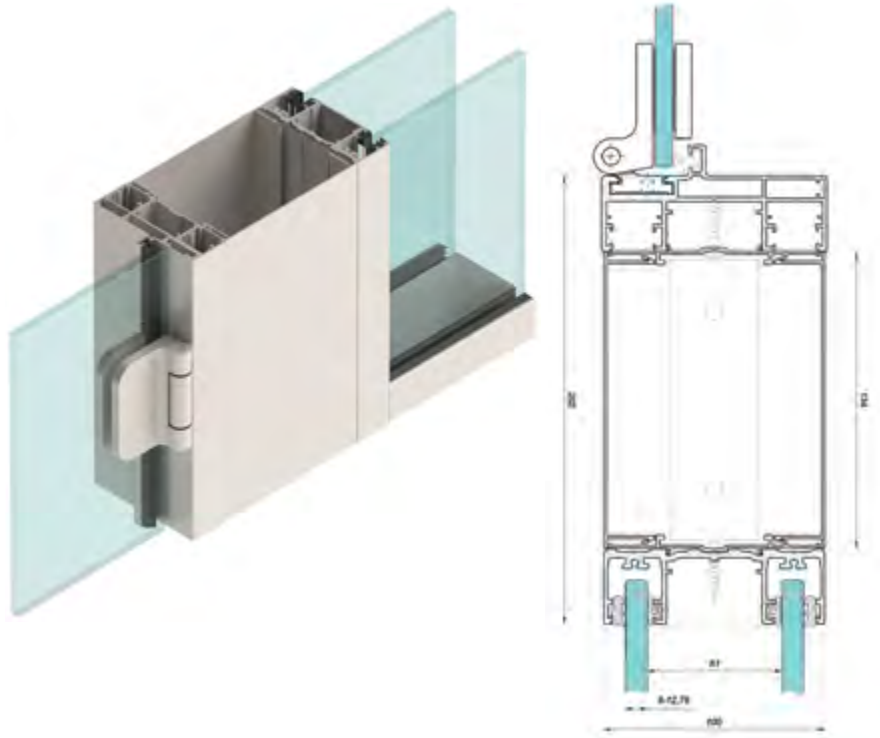
DESCRIPTION	FINISH	UNIT OF SALE	THICKNESS	CODE
Packers	Blue	Pack of 10	3mm	<b>G.DK.AC.005</b>
Packers	Grey	Pack of 10	4mm	<b>G.DK.AC.006</b>
Packers	Purple	Pack of 10	5mm	<b>G.DK.AC.007</b>
Packers	Gold	Pack of 10	6mm	<b>G.DK.AC.008</b>

# Double Glazed Partition System

34 X 100MM DOUBLE GLAZED PARTITION SYSTEM

## Double Glazed Partition System Mullion Accessories

When connecting the Double Glazed Profiles together 3 items are required for installation. The Double Glazed Service Duct/Mullion Mounting Profile which attaches to the Double Glazed profile itself. The Double Glazed Service Duct/Mullion Mounting Bracket which attaches to the mounting profile and connects to the two sections together and also screws into the ground. This is then finished with the Mullion Cover profile. The Double Glazed Centre Profile Cover finishes the Double Glazed Partition Bottom section with the packers propping the glass up from the section.



Mullion Cover Profile

Mullion Mounting Profile

Mullion Mounting Bracket



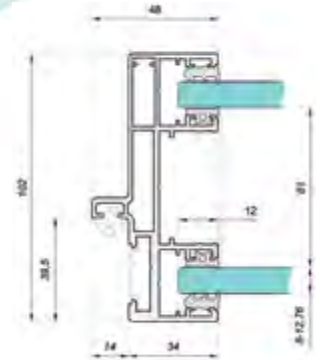
DESCRIPTION	FINISH	LENGTH/UNIT OF SALE	CODE
134mm services duct/ mullion cover profile	Anodised	3000mm	<b>G.DK.DG.SA.005</b>
134mm services duct/ mullion cover profile	Black	3000mm	<b>G.DK.DG.BK.005</b>
Double Glazed service duct/ mullion mounting profile	Anodised	1500mm	<b>G.DK.AC.029</b>
Double Glazed service duct/ mullion mounting bracket	Stainless steel	Each	<b>G.DK.AC.030</b>

# Double Glazed Partition System

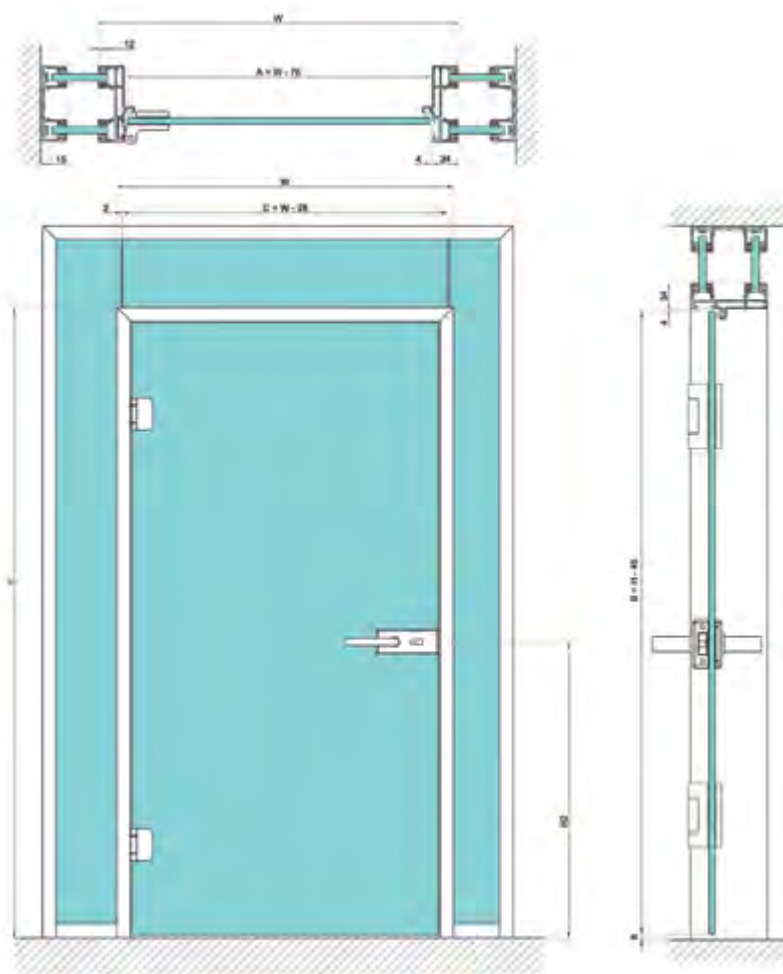
34 X 100MM DOUBLE GLAZED PARTITION SYSTEM

## Double Glazed Partition Door Frame

The double glazed partition to door frame profile is suitable for glass thicknesses of 8-10mm. The fixed profile accepts glass thickness of 8-12.76mm. The recommended max door height is 2400mm. Above a height of 2200 mm, it is recommended to use 3 hinges.



DESCRIPTION	FINISH	LENGTH	CODE
Double glazed partition door frame	Anodised	6000mm	<b>G.DK.DG.SA.001</b>
Double glazed partition door frame	Black	6000mm	<b>G.DK.DG.BK.001</b>



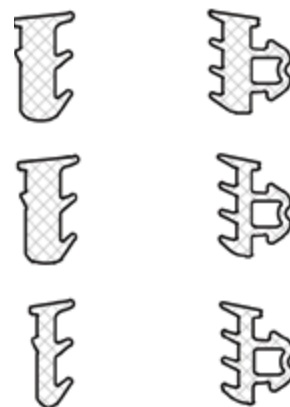


# Double Glazed Partition System

34 X 100MM DOUBLE GLAZED PARTITION SYSTEM

## Double Glazed Partition To Door Frame Fixed Glass Gaskets (Grey)

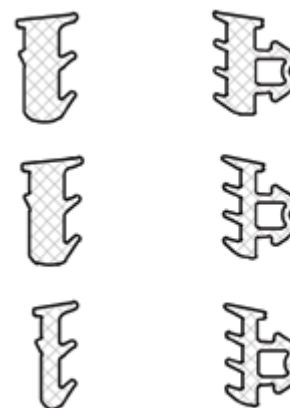
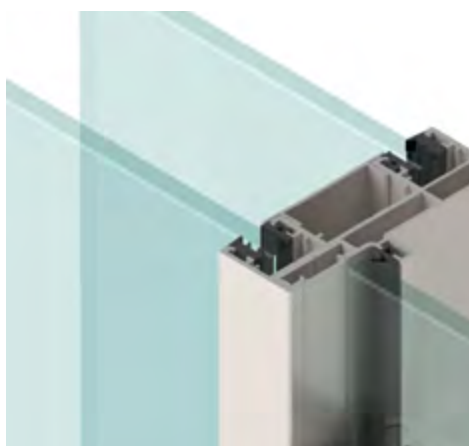
Grey Fixed Glass Gaskets for 8mm, 10mm and 12mm glass.



DESCRIPTION	FINISH	UNIT OF SALE	GLASS THICKNESS	CODE
Fixed glass gaskets	Grey	Per metre	8mm	<b>G.DK.AC.033</b>
Fixed glass gaskets	Grey	Per metre	10mm	<b>G.DK.AC.035</b>
Fixed glass gaskets	Grey	Per metre	12mm	<b>G.DK.AC.037</b>

## Double Glazed Partition To Door Frame Fixed Glass Gaskets (Black)

Black Fixed Glass Gaskets for 8mm, 10mm and 12mm glass.



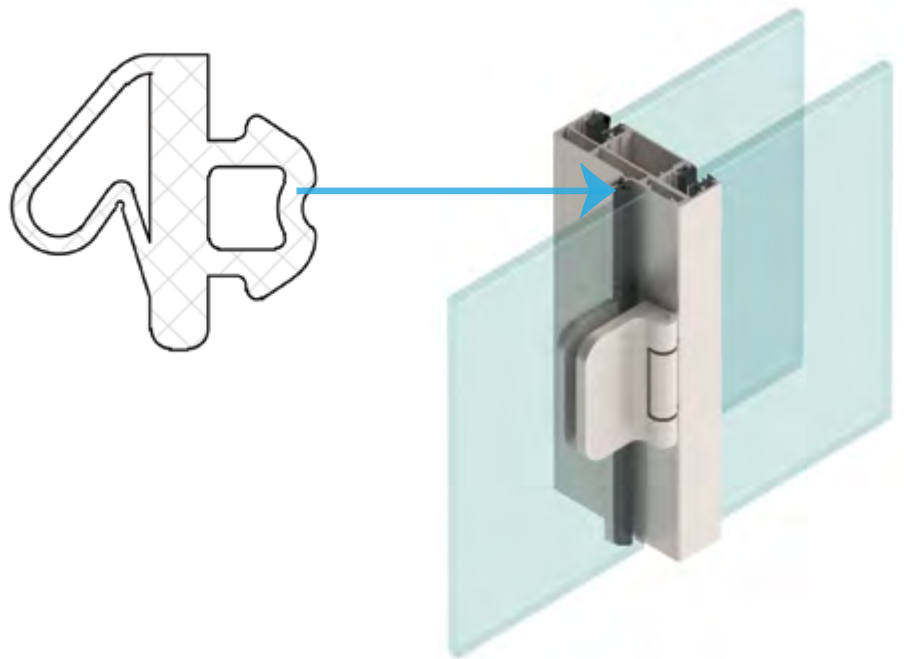
DESCRIPTION	FINISH	UNIT OF SALE	GLASS THICKNESS	CODE
Fixed glass gaskets	Black	Per metre	8mm	<b>G.DK.AC.034</b>
Fixed glass gaskets	Black	Per metre	10mm	<b>G.DK.AC.036</b>
Fixed glass gaskets	Black	Per metre	12mm	<b>G.DK.AC.038</b>

# Double Glazed Partition System

REBATE GASKETS & PACKERS

## Glass Door Rebate Gaskets

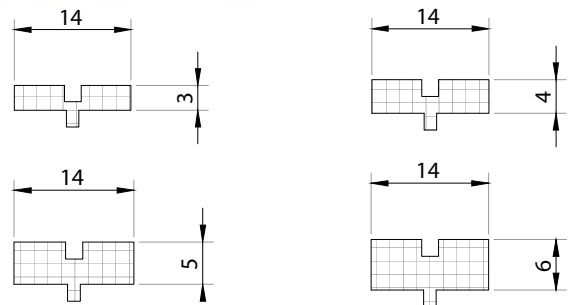
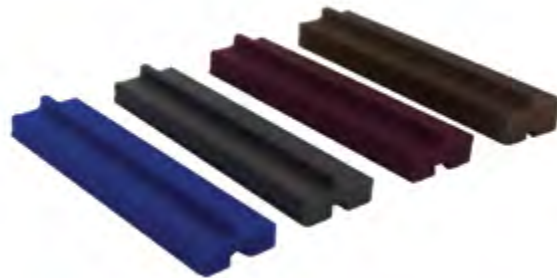
Gaskets used where the glass door meets the aluminium rebate of the door frame ensuring a soft close and reduced noise and air movement. Available for 8 or 10mm glass thickness in grey.



DESCRIPTION	FINISH	UNIT OF SALE	GLASS THICKNESS	CODE
Glass door rebate gasket	Grey	Per metre	8mm	<b>G.DK.AC.009</b>
Glass door rebate gasket	Grey	Per metre	10mm	<b>G.DK.AC.010</b>

## Packers

Available in four different thicknesses, 3, 4, 5 & 6mm. These packers slot easily into the base track under the glass to adjust the glass height.



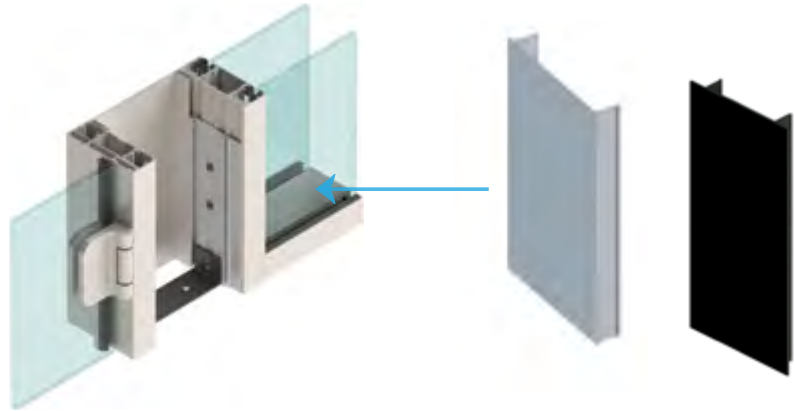
DESCRIPTION	FINISH	UNIT OF SALE	THICKNESS	CODE
Packers	Blue	Pack of 10	3mm	<b>G.DK.AC.005</b>
Packers	Grey	Pack of 10	4mm	<b>G.DK.AC.006</b>
Packers	Purple	Pack of 10	5mm	<b>G.DK.AC.007</b>
Packers	Gold	Pack of 10	6mm	<b>G.DK.AC.008</b>

# Double Glazed Partition System

DOUBLE GLAZED PARTITION ACCESSORIES

## Double Glazed Profile Centre Cover

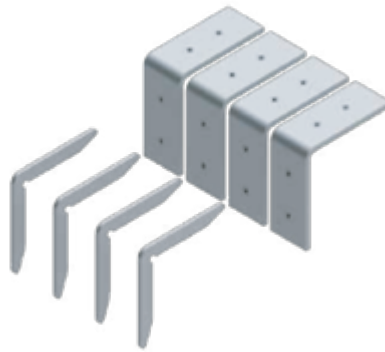
This cover is snapped easily into place before the glass installed hiding the void in the tracks between the two glass panes. Available in anodised aluminium or black.



DESCRIPTION	FINISH	LENGTH	CODE
Double glazed profile centre cover	Anodised	6000mm	<b>G.DK.DG.SA.004</b>
Double glazed profile centre cover	Black	6000mm	<b>G.DK.DG.BK.004</b>

## Double Glazed Door Frame Cleats

Double glazed door frame cleat kit available in Stainless Steel. Used to securely assemble the door frame in order to keep the joints tight and secure. One kit required per door frame.



DESCRIPTION	FINISH	UNIT OF SALE	CODE
Double glazed door frame cleats	Stainless steel	Kit	<b>G.DK.AC.028</b>

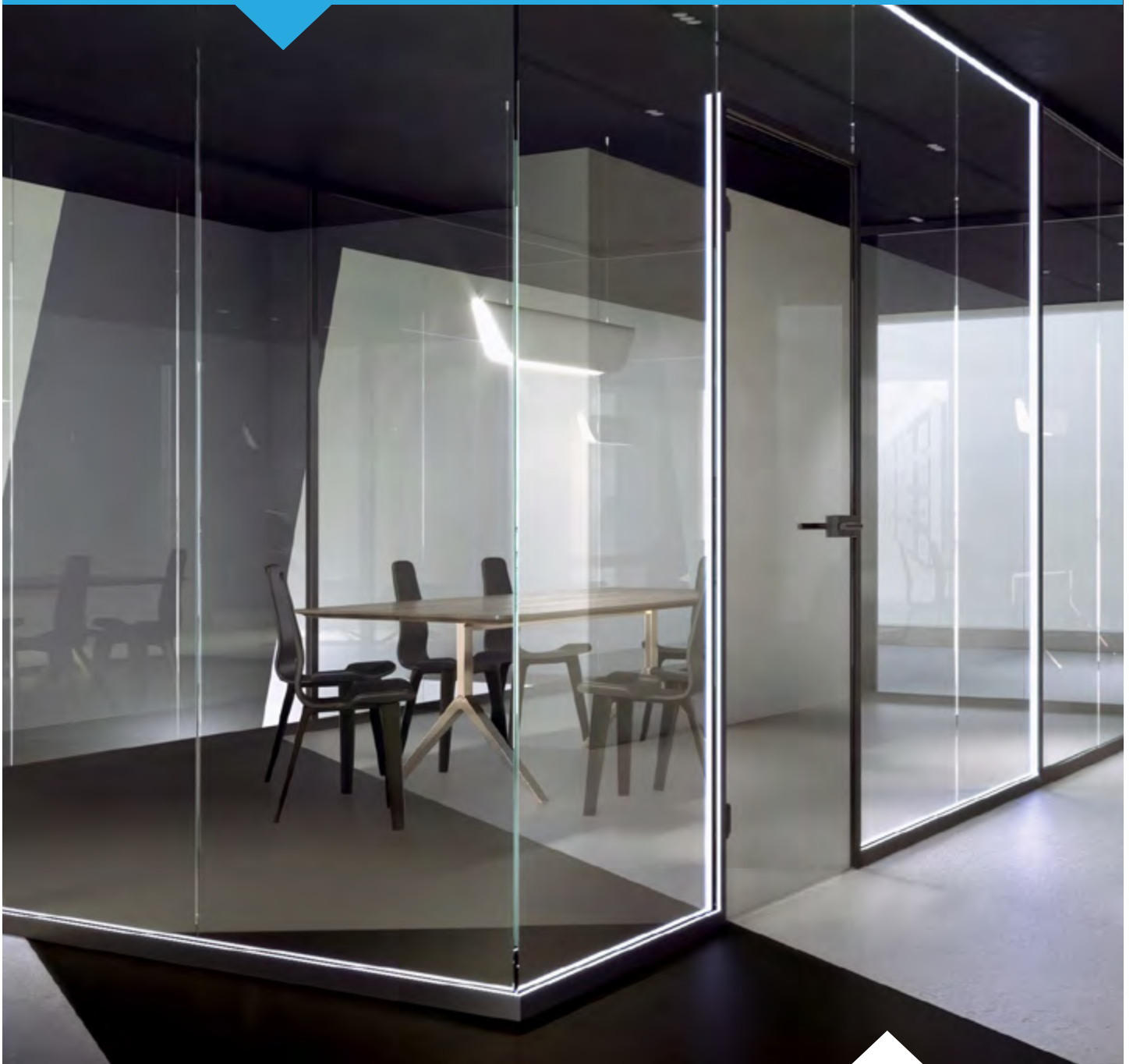
## Stainless Steel Door Frame to Bottom Track Cleat.

Used to secure each leg of a door frame to the floor or base track. One required for each leg of a door frame.



DESCRIPTION	FINISH	UNIT OF SALE	CODE
Door frame to bottom track cleat	Stainless steel	Each	<b>G.DK.AC.027</b>

# LED Partition System



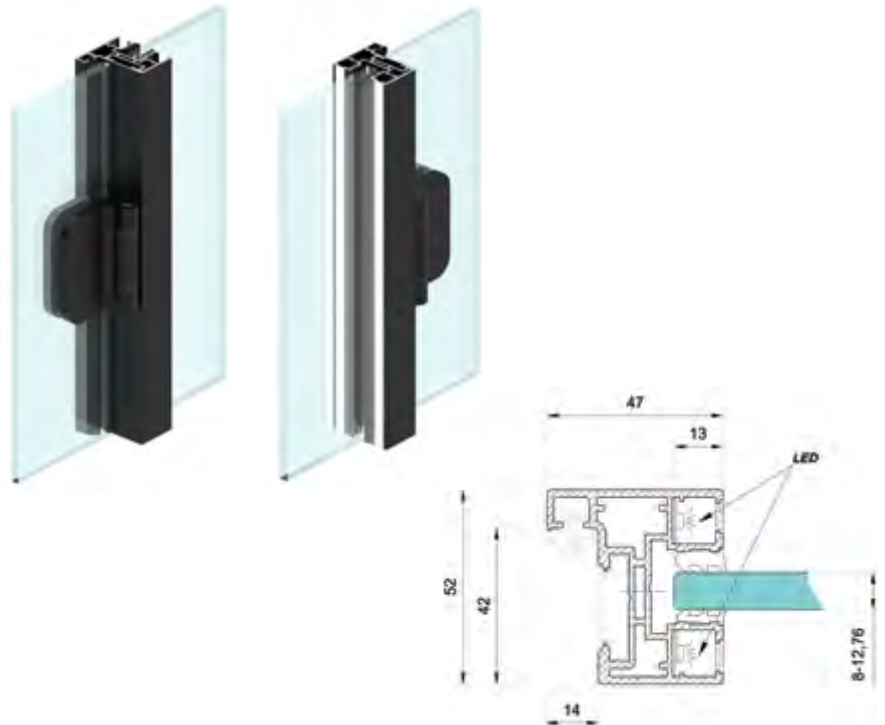
# LED Partition System

LED PARTITION SYSTEM & COMPONENTS

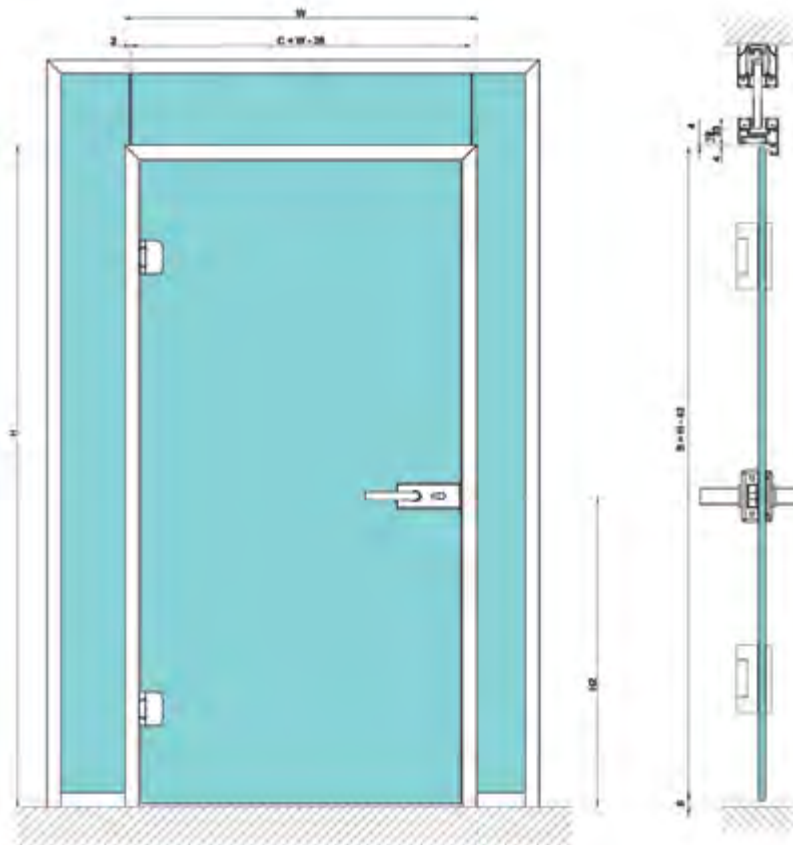
## LED Door Frame Profile

The LED door frame profile is suitable for glass thicknesses of 8-12.76mm. The recommended max door height is 2400mm. Above a height of 2200 mm, it is recommended to use 3 hinges.

The door frame kit must be combined with optional solid or transparent covers depending on the desired requirement. The LED strip is not supplied and can be found at nearly all electrical merchants.



DESCRIPTION	FINISH	LENGTH	CODE
LED door frame profile	Black	6000mm	<b>G.DK.LED.BK.001</b>

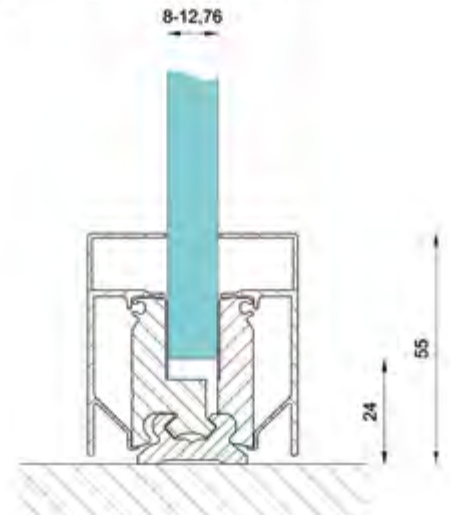


# LED Partition System

LED PARTITION SYSTEM & COMPONENTS

## LED Track System With Solid Covers

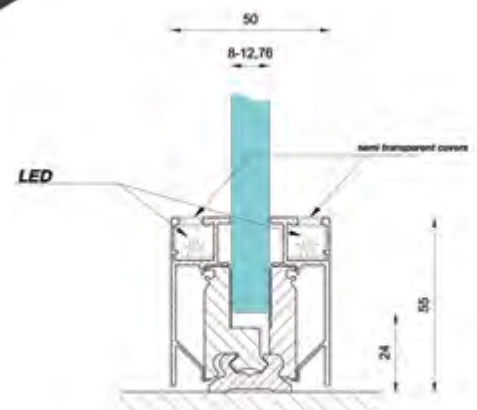
LED Track System with solid covers is suitable for glass thickness of between 8-12.76mm. This track can be used on top, bottom or sides and anywhere the light is not required.



DESCRIPTION	FINISH	LENGTH	CODE
LED track system with solid covers	Black	5000mm	<b>G.DK.LED.BK.005</b>

## LED Track System With Slots For Semi Transparent Covers

LED Track System with slots for semi transparent covers is suitable for glass thickness of between 8-12.76mm. This track can be used on top, bottom or sides and anywhere the LED light will be installed and shown. The semi transparent covers are sold separately.



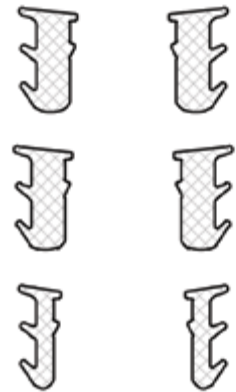
DESCRIPTION	FINISH	LENGTH	CODE
LED track system with slots for semi transparent covers	Black	5000mm	<b>G.DK.LED.BK.006</b>

# LED Partition System

LED PARTITION SYSTEM & COMPONENTS

## LED Partition Fixed Glass Gaskets (Black)

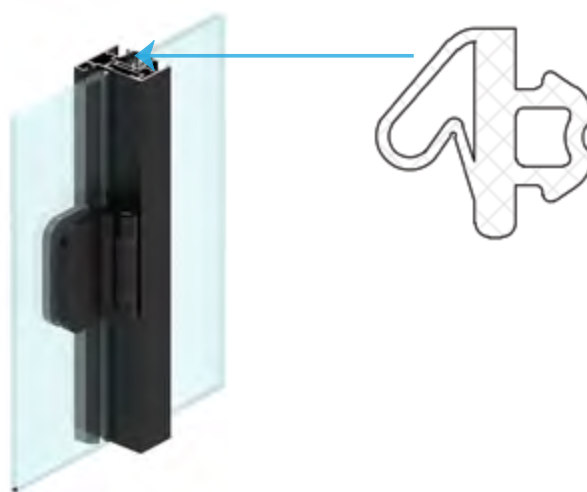
Black Fixed Glass Gaskets For 8mm, 10mm and 12mm Glass. Used for the back of the door frame only.



DESCRIPTION	FINISH	UNIT OF SALE	GLASS THICKNESS	CODE
Fixed glass gasket	Black	Per metre	8mm	<b>G.DK.AC.034</b>
Fixed glass gasket	Black	Per metre	10mm	<b>G.DK.AC.036</b>
Fixed glass gasket	Black	Per metre	12mm	<b>G.DK.AC.038</b>

## Glass Door Rebate Gaskets

Gaskets used where the glass door meets the aluminium rebate of the door frame profile ensuring a soft close and reduced noise and air movement. Available for 8 or 10mm glass thickness in grey and black.



DESCRIPTION	FINISH	UNIT OF SALE	GLASS THICKNESS	CODE
Glass door rebate gasket	Grey	Per metre	8mm	<b>G.DK.AC.009</b>
Glass door rebate gasket	Grey	Per metre	10mm	<b>G.DK.AC.010</b>
Glass door rebate gasket	Black	Per metre	8mm	<b>G.DK.AC.011</b>
Glass door rebate gasket	Black	Per metre	10mm	<b>G.DK.AC.012</b>

# LED Partition System

LED PARTITION SYSTEM & COMPONENTS

## LED Door Frame To Bottom Track Cleat

LED door frame to bottom track cleat. Used to secure each leg of a door frame to the floor or base track. One required for each leg of a door frame.



DESCRIPTION	FINISH	UNIT OF SALE	CODE
LED door frame to bottom track cleat	Stainless steel	Each	<b>G.DK.AC.026</b>

## LED Door Frame Upper Corner Cleat Kit

LED Door Frame Upper Corner Cleat Kits to be inserted before assembly and tightened with an allen key to ensure secure and tight corners.



DESCRIPTION	FINISH	UNIT OF SALE	CODE
LED door frame upper corner cleat kit	Stainless steel	Kit	<b>G.DK.LED.BK.003</b>



# LED Partition System

LED PARTITION SYSTEM & COMPONENTS

## Semi Transparent Cover

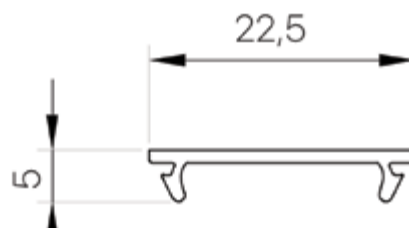
LED Semi Transparent Cover for use with G.DK.LED.BK.006 where the LED strip is installed and light shown is required.



DESCRIPTION	FINISH	LENGTH	CODE
LED Semi transparent cover	Milky	3000mm	<b>G.DK.LED.BK.002</b>

## Door Frame Filler Strip

The door frame filler strip is cut and easily snapped in to place to cover the hinge and receiver tracks on all the door frame profiles. Cut and snap in the filler strip wherever required for a flush and seamless finish.



DESCRIPTION	FINISH	LENGTH	CODE
Door frame filler strip	Black	6000mm	<b>G.DK.SG.BK.007</b>

# Lever Locks, Handles, Strike Boxes & Cylinders

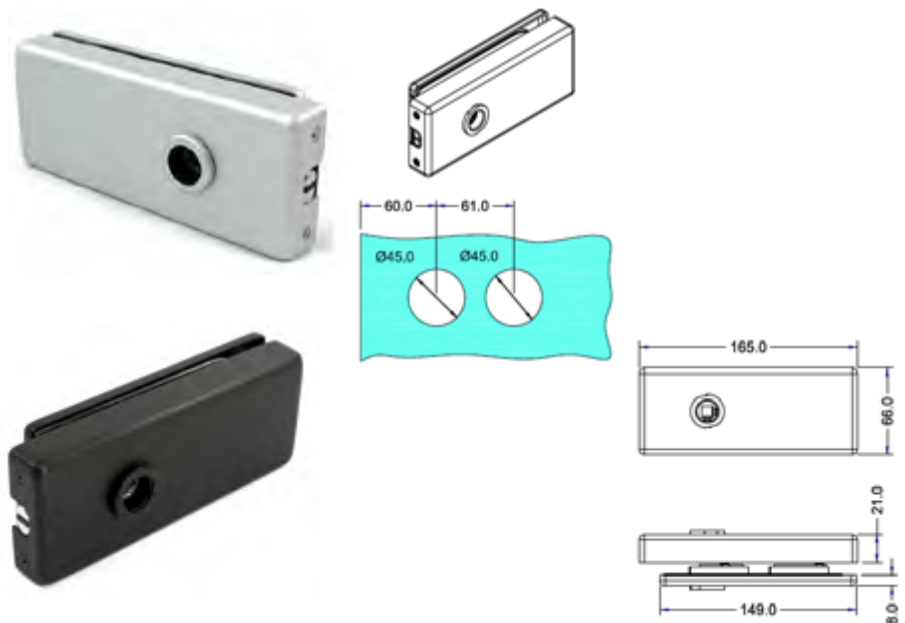


# Lever Locks, Handles, Strike Boxes & Cylinders

## LEVER LOCKS

### Magnetic Catch Lever Lock-Without Lock

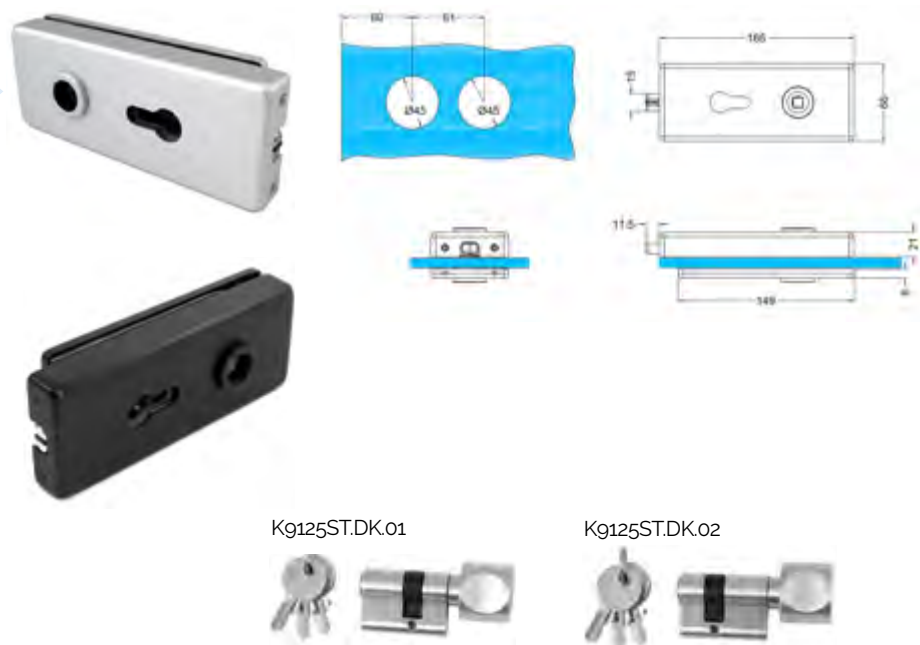
Suitable for both 8mm and 10mm glass thickness. Square hole for all lever handles with 8mm square spindle. For left hand or right hand installations. Suitable for use with the magnetic receiver KLL501KF-NA. Due to the fact that the magnetic latch is only activated when it meets the receiver it does not strike the frame causing noise or damage. For use with the Dynamik door frame profiles.



DESCRIPTION	FINISH	UNIT OF SALE	CODE
Magnetic catch lever lock- without lock	Natural anodised	Each	<b>KLL501M-WL-NA</b>
Magnetic catch lever lock- without lock	Black	Each	<b>KLL501M-WL-B</b>

### Magnetic Catch Lever Lock-Lockable

Suitable for both 8mm and 10mm glass thickness. Square hole for all lever handles with 8mm square spindle. Prepared for euro cylinders so that it can be securely locked by key or internally by thumb turn. For left hand or right hand installations. Suitable for use with the magnetic receiver KLL501KF-NA. Due to the fact that the magnetic latch is only activated when it meets the receiver it does not strike the frame causing noise or damage. For use with the Dynamik door frame profiles.



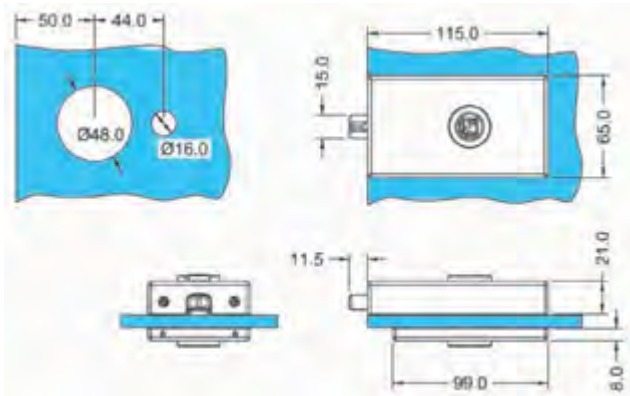
DESCRIPTION	FINISH	UNIT OF SALE	CODE
Magnetic catch lever lock-lockable	Natural anodised	Each	<b>KLL501M-NA</b>
Magnetic catch lever lock-lockable	Black	Each	<b>KLL501M-B</b>
Thumb turn euro cylinder (door opening in)	Satin chrome	Each	<b>K9125ST.DK.01</b>
Thumb turn euro cylinder (door opening out)	Satin chrome	Each	<b>K9125ST.DK.02</b>

# Lever Locks, Handles, Strike Boxes & Cylinders

## LEVER LOCKS

### Small Magnetic Catch Lever Lock-Without Lock

Suitable for both 8mm and 10mm glass thickness. Square hole for all lever handles with 8mm square spindle. For left hand or right hand installations. Suitable for use with the magnetic receiver KLL501KF-NA. Due to the fact that the magnetic latch is only activated when it meets the receiver it does not strike the frame causing noise or damage. For use with the Dynamik door frame profiles.



DESCRIPTION	FINISH	UNIT OF SALE	CODE
Small magnetic catch lever lock- without lock	Black	Each	<b>KLL801M-B</b>
Small magnetic catch lever lock -without lock	Natural anodised	Each	<b>KLL801M-NA</b>

### Magnetic Lever Lock Frame Receiver

Installed in seconds in any of our Dynamik door frame systems without the need for any cut outs or milling. Works with any of the above magnetic locks.



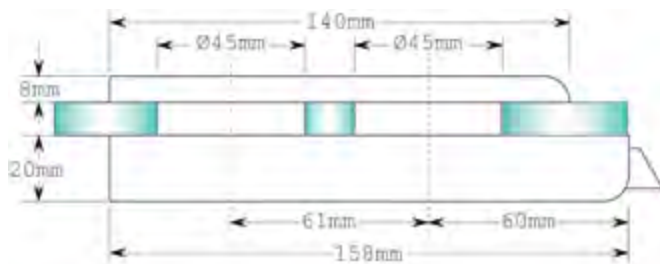
DESCRIPTION	FINISH	UNIT OF SALE	CODE
Magnetic lever lock frame receiver	Natural anodised	Each	<b>KLL501KF-NA</b>
Magnetic lever lock frame receiver	Black	Each	<b>KLL501KF-B</b>

# Lever Locks, Handles, Strike Boxes & Cylinders

## LEVER LOCKS

### Lever Locks Lockable

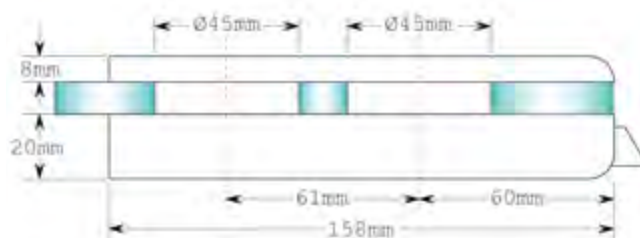
Suitable for 8 & 10mm thick glass. For left or right hand opening. The euro cylinder is sold separately and can be a key or thumb turn type. The required handle colour and type should be selected when ordering. Can be used in a glass to glass or glass to frame type of door.



DESCRIPTION	FINISH	UNIT OF SALE	CODE
Lever locks lockable	Satin stainless	Each	<b>KLL20SS</b>
Lever locks lockable	Satin stainless effect	Each	<b>KLL20SNK</b>
Lever locks lockable	Matt black	Each	<b>KLL20MBK</b>

### Two Way Lever Locks

Two Way Lever Locks suitable for 8 & 10mm thick glass. For left or right hand opening. The euro cylinder is sold separately and can be a key or thumb turn type. The required handle colour and type should be selected when ordering. Can be used in a glass to glass or glass to frame type of door.



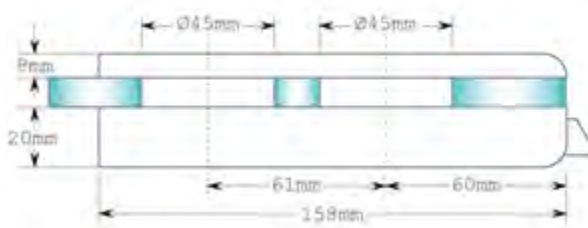
DESCRIPTION	FINISH	UNIT OF SALE	CODE
Two way lever locks	Brushed stainless effect	Each	<b>KLL22SNK</b>
Two way lever locks	Stainless steel effect	Each	<b>KLL22SSS</b>

# Lever Locks, Handles, Strike Boxes & Cylinders

## LEVER LOCKS

### Lever Locks Not Lockable

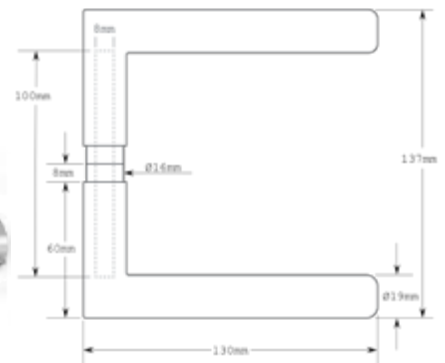
Suitable for 8 & 10mm thick glass.  
For left or right hand opening.  
The required handle colour and type should be selected when ordering.  
Can be used in a glass to glass or glass to frame type of door.



DESCRIPTION	FINISH	UNIT OF SALE	CODE
Lever locks not lockable	Brushed stainless effect	Each	<b>KLL23SNK</b>
Lever locks not lockable	Satin stainless steel	Each	<b>KLL23SSS</b>

### Lever Handles

Supplied in SUS 304 Stainless steel.  
8mm square spindle for all lever locks.



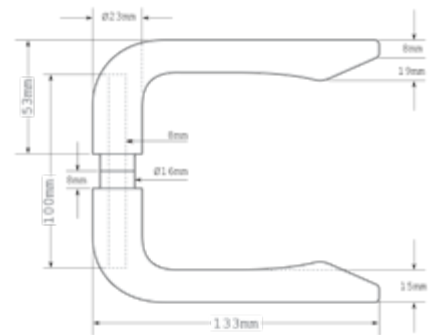
DESCRIPTION	FINISH	UNIT OF SALE	CODE
Lever handles	Satin stainless	Set	<b>KLLD201SS</b>

# Lever Locks, Handles, Strike Boxes & Cylinders

## LEVER HANDLES

### Lever Handles

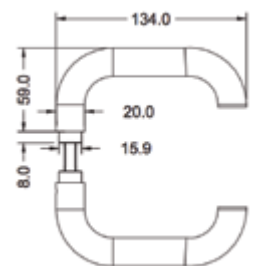
Supplied in SUS 304 Stainless Steel.  
8mm square spindle for all lever locks.



DESCRIPTION	FINISH	UNIT OF SALE	CODE
Lever handles	Satin stainless	Set	<b>KLLD202SS</b>

### Lever Handles

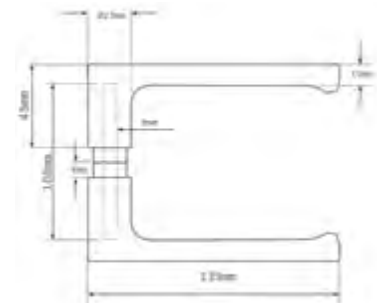
Supplied in SUS 304 Stainless Steel.  
8mm square spindle for all lever locks. Suitable for use with the magnetic locks on page 59 & 60 only.



DESCRIPTION	FINISH	UNIT OF SALE	CODE
Lever handles	Anodised	Each	<b>KLLD.DK.02.NA</b>
Lever handles	Black	Each	<b>KLLD.DK.02.B</b>

### Lever Handles

Supplied in SUS 304 Stainless Steel.  
8mm square spindle for all lever locks.



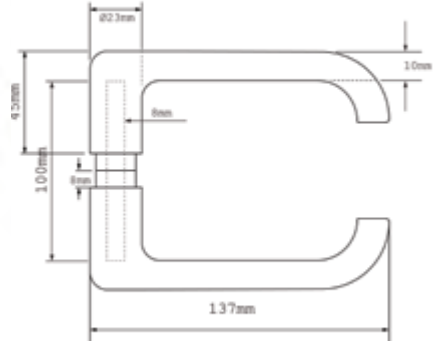
DESCRIPTION	FINISH	UNIT OF SALE	CODE
Lever handles	Black	Set	<b>KLLD206MBK</b>
Lever handles	Stainless steel effect	Set	<b>KLLD206SNK</b>

# Lever Locks, Handles, Strike Boxes & Cylinders

LEVER HANDLES & ONE WAY LEVER LOCK STRIKE BOX

## Lever Handles

Supplied in SUS 304 Stainless Steel.  
8mm square spindle for all lever locks.



DESCRIPTION	FINISH	UNIT OF SALE	CODE
Lever handles	Matt black	Set	<b>KLLD207MBK</b>

## One Way Lever Lock Strike box

One Way Lever Lock Strike box prepared for both 8mm and 10mm glass thickness. For left hand or right hand open. The longer side acts a door stopper.



DESCRIPTION	FINISH	UNIT OF SALE	CODE
One way lever lock strike box	Satin stainless	Each	<b>KLLD20KSS</b>
One way lever lock strike box	Stainless steel effect	Each	<b>KLLD20KSNK</b>
One way lever lock strike box	Black	Each	<b>KLLD20KMBK</b>



# Lever Locks, Handles, Strike Boxes & Cylinders

TWO WAY LEVER LOCK STRIKE BOX & EURO CYLINDERS

## Two Way Lever Lock Strike Box

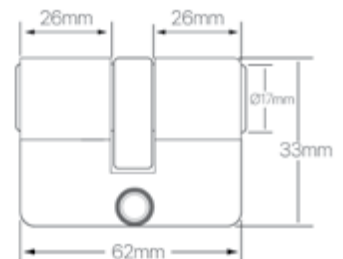
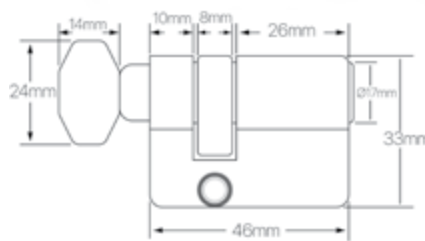
Two way Lever lock strike box suitable for both 8mm and 10mm glass thickness.



DESCRIPTION	FINISH	UNIT OF SALE	CODE
Two way lever lock strike box	Brushed effect	Each	<b>KLL22KSNK</b>
Two way lever lock strike box	Satin stainless	Each	<b>KLL22KSS</b>

## Euro Cylinders

Short thumb turn euro cylinders & standard euro cylinders.



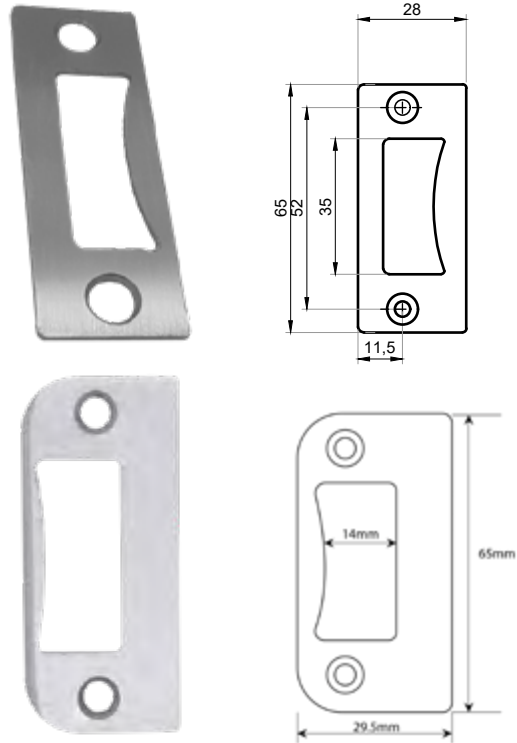
DESCRIPTION	FINISH	UNIT OF SALE	CODE
Short thumb turn euro cylinder (key different)	Polished chrome	Each	<b>K9125ST.PC</b>
Short thumb turn euro cylinder (key alike)	Polished chrome	Each	<b>K9125STKA.PC</b>
Short thumb turn euro cylinder	Satin chrome	Each	<b>K9125ST.SC</b>
Standard euro cylinder (key alike)	Polished chrome	Each	<b>K9125KA.PC</b>
Standard euro cylinder (key alike)	Polished chrome	Each	<b>K9125KD.PC</b>
Standard euro cylinder (key different)	Satin chrome	Each	<b>K9125KD.SC</b>

# Lever Locks, Handles, Strike Boxes & Cylinders

LEVER LOCK RECEIVERS, LEVER LOCKS & STRIKE BOX CUTOUT

## Lever Lock Receivers

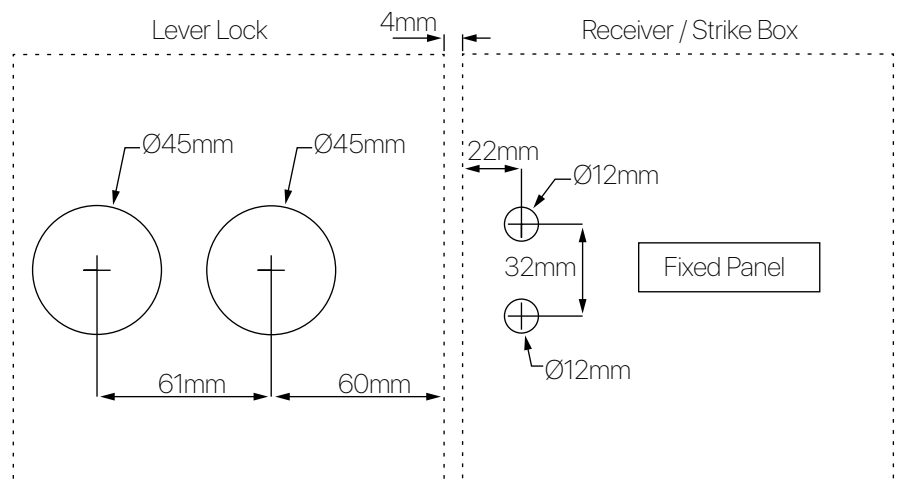
Standard Lever Lock Receiver & Lever Lock Strike Plate Satin Stainless Effect.



DESCRIPTION	FINISH	UNIT OF SALE	CODE
Standard lever lock receiver	Stainless steel	Each	<b>G.DK.AC.025</b>
Lever lock strike plate	Stainless steel	Each	<b>KLLP402SNK</b>

## Lever Lock & Strike Box Cut-out

Glass processing and preparation is the same for all of our standard size lever locks.



# Glass To Glass Joiners

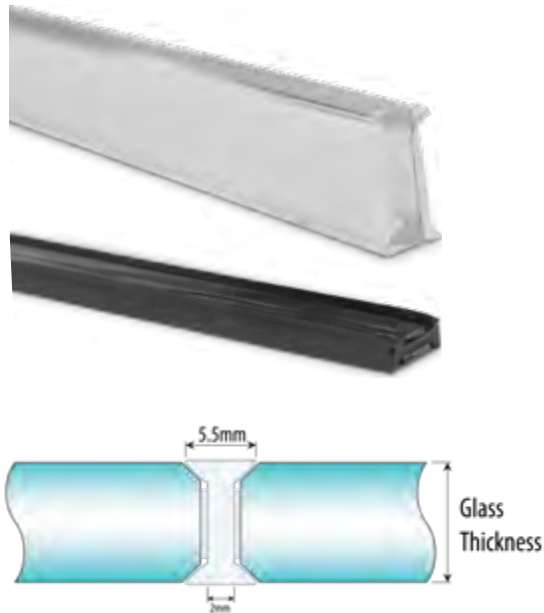


# Glass to Glass Joiners

CLEAR & BLACK GLASS TO GLASS JOINERS

## 180° Glass to Glass Joiners

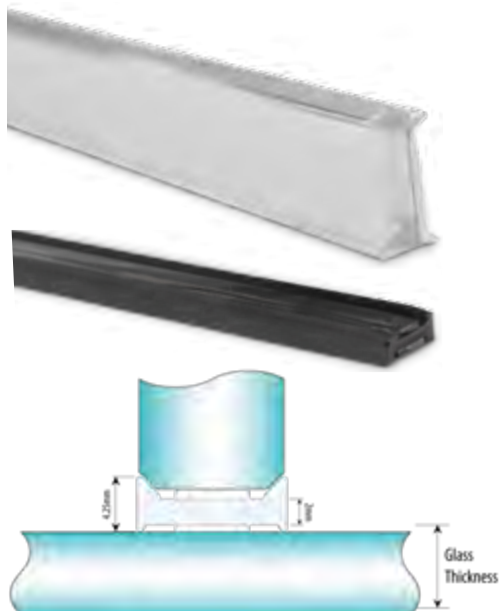
180° 10/12mm Glass to Glass Joiner  
Suitable for standard and laminated glass types.  
Supplied with self adhesive tape and removable dust shield.



DESCRIPTION	FINISH	LENGTH	GLASS THICKNESS	CODE
180° glass to glass joiners	Clear	3000mm	10mm	<b>JP10EZCC-180</b>
180° glass to glass joiners	Clear	3000mm	12mm	<b>JP12EZCC-180</b>
180° glass to glass joiners	Black	3000mm	10mm	<b>JP10EZCC-180-BL</b>
180° glass to glass joiners	Black	3000mm	12mm	<b>JP12EZCC-180-BL</b>

## 180° Glass to Glass Abutment Joint

180° 10/12mm Glass to Glass Abutment Joint.  
Suitable for standard and laminated glass types.  
Supplied with self adhesive tape and removable dust shield.  
Dual function as a corner section.



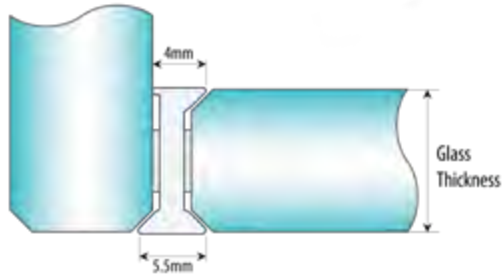
DESCRIPTION	FINISH	LENGTH	GLASS THICKNESS	CODE
180° glass to glass abutment joint	Clear	3000mm	10mm	<b>JP10EZCE-180</b>
180° glass to glass abutment joint	Clear	3000mm	12mm	<b>JP12EZCE-180</b>
180° glass to glass abutment joint	Black	3000mm	10mm	<b>P10EZCE-180-BL</b>
180° glass to glass abutment joint	Black	3000mm	12mm	<b>JP12EZCE-180-BL</b>

# Glass to Glass Joiners

CLEAR & BLACK GLASS TO GLASS JOINERS

## 90° Glass to Glass Joiners

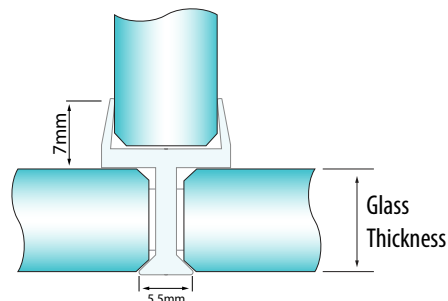
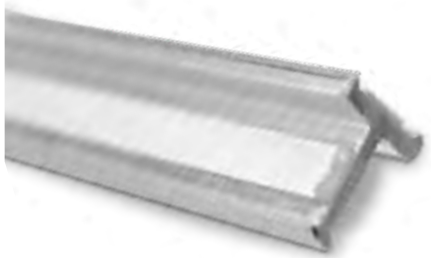
90° 10/12mm Glass to Glass Joiner



DESCRIPTION	FINISH	LENGTH	GLASS THICKNESS	CODE
90° glass to glass joiners	Clear	3000mm	10mm	<b>JP10EZCL-90</b>
90° glass to glass joiners	Clear	3000mm	12mm	<b>JP12EZCL-90</b>

## T-Shape Glass to Glass Joiners

T-Shape 10/12mm Glass to Glass Joiner.



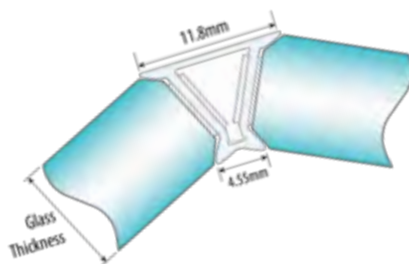
DESCRIPTION	FINISH	LENGTH	GLASS THICKNESS	CODE
T-Shape glass to glass joiners	Clear	3000mm	10mm	<b>JP10EZCT-90</b>
T-Shape glass to glass joiners	Clear	3000mm	12mm	<b>JP12EZCT-90</b>

# Glass to Glass Joiners

CLEAR & BLACK GLASS TO GLASS JOINERS

## 135° Glass to Glass Joiners

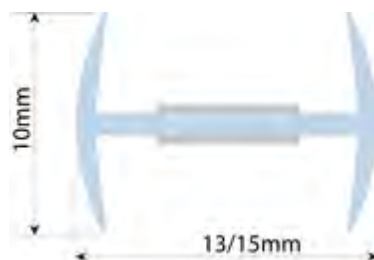
135° 10/12mm Glass to Glass Joiner.



DESCRIPTION	FINISH	LENGTH	GLASS THICKNESS	CODE
135° glass to glass joiners	Clear	3000mm	10mm	<b>JP10EZCA-135</b>
135° glass to glass joiners	Clear	3000mm	12mm	<b>JP12EZCA-135</b>

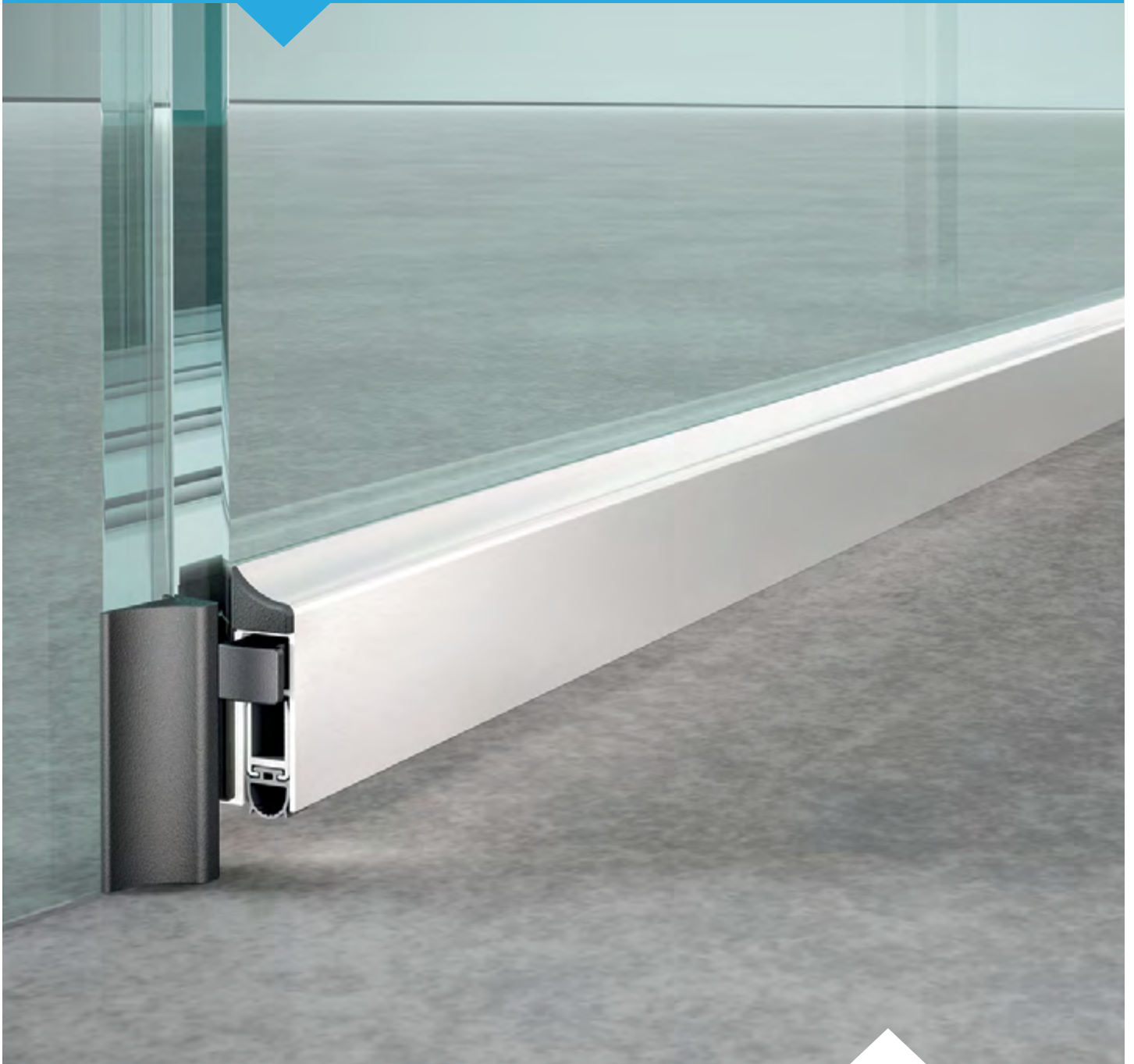
## 180° Clear PVC H Section

180° Clear PVC H Section.



DESCRIPTION	FINISH	LENGTH	GLASS THICKNESS	CODE
180° clear PVC H section	Clear	3000mm	10mm	<b>JPCH10</b>
180° clear PVC H section	Clear	3000mm	12mm	<b>JPCH12</b>

# Drop Down Seals

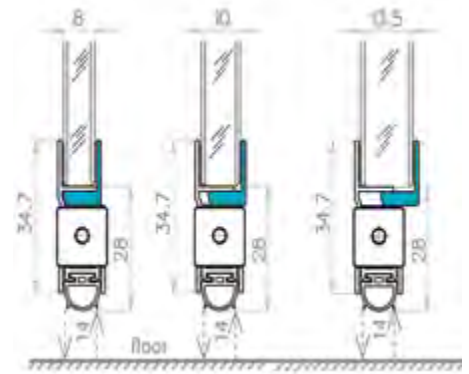


# Drop Down Seals

DROP DOWN SEALS FOR GLASS DOORS

## Universal Bottom Mounted Drop Down Seals

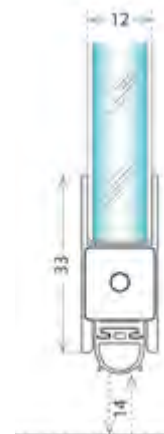
Universal Bottom Mount Drop Down Seal suitable for glass thicknesses of 8-13.52mm and placed below the glass. Equipped with a soft silicone seal, its internal profile is removable even after installation. To be fixed in place using a high-strength double-sided adhesive tape. Can be trimmed up to 150 mm on the opposite side to the plunger.



DESCRIPTION	FINISH	LENGTH	GLASS THICKNESS	CODE
Universal bottom mounted drop down seals	Anodised	1030mm	8-13.52mm	<b>G.OF.DDS.GB.1030.AN.UNI</b>
Universal bottom mounted drop down seals	Black	1030mm	8-13.52mm	<b>G.OF.DDS.GB.1030.BL.UNI</b>
Universal bottom mounted drop down seals	Anodised	930mm	8-13.52mm	<b>G.OF.DDS.GB.930.AN.UNI</b>
Universal bottom mounted drop down seals	Black	930mm	8-13.52mm	<b>G.OF.DDS.GB.930.BL.UNI</b>

## Bottom Mounted Drop Down Seals

Bottom Mount Drop Down Seal suitable for glass thicknesses of 12mm and placed below the glass. Equipped with a soft silicone seal, its internal profile is removable even after installation. To be fixed in place using a high-strength double-sided adhesive tape. Can be trimmed up to 150 mm on the opposite side to the plunger. Supplied in a silver anodised finish/stainless steel or black anodised finish.



DESCRIPTION	FINISH	LENGTH	GLASS THICKNESS	CODE
Bottom mounted drop down seals	Anodised	930mm	12mm	<b>G.OF.DDS.GB.930.AN.12</b>
Bottom mounted drop down seals	Black	930mm	12mm	<b>G.OF.DDS.GB.930.BL.12</b>
Bottom mounted drop down seals	SS effect	930mm	12mm	<b>G.OF.DDS.GB.930.SS.12</b>
Bottom mounted drop down seals	Anodised	1030mm	12mm	<b>G.OF.DDS.GB.1030.AN.12</b>
Bottom mounted drop down seals	Black	1030mm	12mm	<b>G.OF.DDS.GB.1030.BL.12</b>
Bottom mounted drop down seals	SS effect	1030mm	12mm	<b>G.OF.DDS.GB.1030.SS.12</b>
Bottom mounted drop down seals	Anodised	1130mm	12mm	<b>G.OF.DDS.GB.1130.AN.12</b>
Bottom mounted drop down seals	Black	1130mm	12mm	<b>G.OF.DDS.GB.1130.BL.12</b>
Bottom mounted drop down seals	SS effect	1130mm	12mm	<b>G.OF.DDS.GB.1130.SS.12</b>



# Drop Down Seals

DROP DOWN SEALS FOR GLASS DOORS

## Bottom Mounted Drop Down Seals

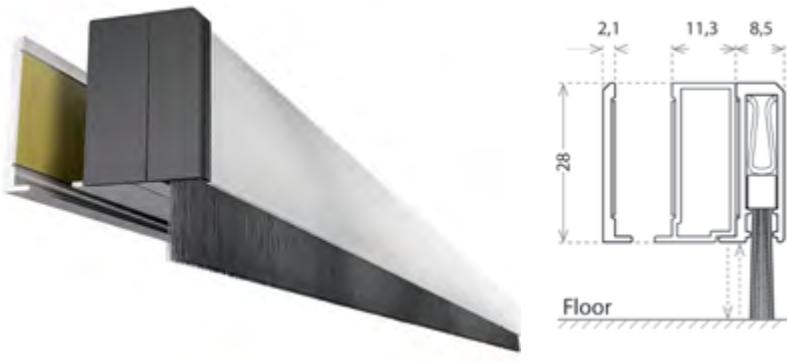
Bottom Mount Drop Down Seal suitable for glass thicknesses of 10mm and placed below the glass. Equipped with a soft silicone seal, its internal profile is removable even after installation. To be fixed in place using a high-strength double-sided adhesive tape. Can be trimmed up to 150 mm on the opposite side to the plunger. Supplied in a silver anodised finish/stainless steel or black anodised finish.



DESCRIPTION	FINISH	LENGTH	GLASS THICKNESS	CODE
Bottom mounted drop down seals	Anodised	930mm	10mm	<b>G.OF.DDS.GB.930.AN.10</b>
Bottom mounted drop down seals	Black	930mm	10mm	<b>G.OF.DDS.GB.930.BL.10</b>
Bottom mounted drop down seals	SS effect	930mm	10mm	<b>G.OF.DDS.GB.930.SS.10</b>
Bottom mounted drop down seals	Anodised	1030mm	10mm	<b>G.OF.DDS.GB.1030.AN.10</b>
Bottom mounted drop down seals	Black	1030mm	10mm	<b>G.OF.DDS.GB.1030.BL.10</b>
Bottom mounted drop down seals	SS effect	1030mm	10mm	<b>G.OF.DDS.GB.1030.SS.10</b>
Bottom mounted drop down seals	Anodised	1130mm	10mm	<b>G.OF.DDS.GB.1130.AN.10</b>
Bottom mounted drop down seals	Black	1130mm	10mm	<b>G.OF.DDS.GB.1130.BL.10</b>
Bottom mounted drop down seals	SS effect	1130mm	10mm	<b>G.OF.DDS.GB.1130.SS.10</b>

## Pivot Door Brush Seal & Spacer

Pivot Door Brush Seal & Spacer closes the gap between the glass door bottom and the floor. Can be installed on every traditional hinged door and also pivot doors with concealed floor pump. The seal adapts to the floor pump with a self-leveling spring system. To be fixed in place using a high-strength double-sided adhesive tape.



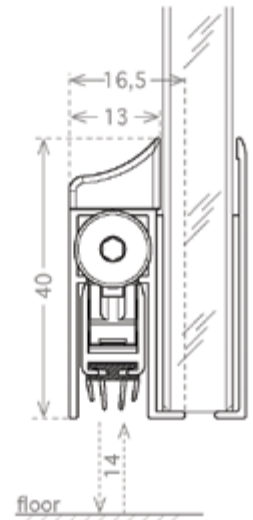
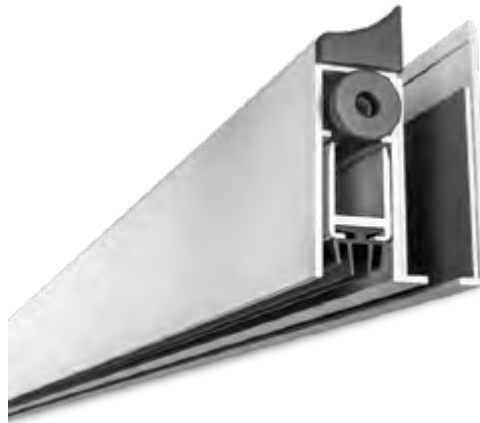
DESCRIPTION	FINISH	LENGTH	CODE
Pivot door brush seal & spacer	SS effect	930mm	<b>G.OF.DDS.GP.930.SS</b>
Pivot door brush seal & spacer	SS effect	1030mm	<b>G.OF.DDS.GP.1030.SS</b>
Pivot door brush seal & spacer	SS effect	1230mm	<b>G.OF.DDS.GP.1230.SS</b>

# Drop Down Seals

DROP DOWN SEALS FOR GLASS DOORS

## Side Mounted Drop Down Seals

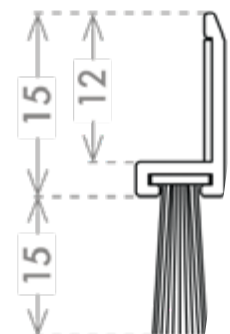
Side Mount Drop Down Seal  
 Graduated scissor action, seal drops on hinge side before lock side. 14mm maximum drop. 6060 T6 aluminium alloy profiles. Activation kit and closing plug included. To be fixed in place using a high-strength double-sided adhesive tape. Can be trimmed up to 150 mm on the opposite side to the plunger. Supplied in a silver anodised finish, stainless steel or black anodised finish.



DESCRIPTION	FINISH	LENGTH	CODE
Side mounted drop down seals	Anodised	930mm	<b>G.OF.DDS.GS.930.AN</b>
Side mounted drop down seals	Black	930mm	<b>G.OF.DDS.GS.930.BL</b>
Side mounted drop down seals	SS effect	930mm	<b>G.OF.DDS.GS.930.SS</b>
Side mounted drop down seals	Anodised	1030mm	<b>G.OF.DDS.GS.1030.AN</b>
Side mounted drop down seals	Black	1030mm	<b>G.OF.DDS.GS.1030.BL</b>
Side mounted drop down seals	SS effect	1030mm	<b>G.OF.DDS.GS.1030.SS</b>
Side mounted drop down seals	Anodised	1130mm	<b>G.OF.DDS.GS.1130.AN</b>
Side mounted drop down seals	Black	1130mm	<b>G.OF.DDS.GS.1130.BL</b>
Side mounted drop down seals	SS effect	1130mm	<b>G.OF.DDS.GS.1130.SS</b>

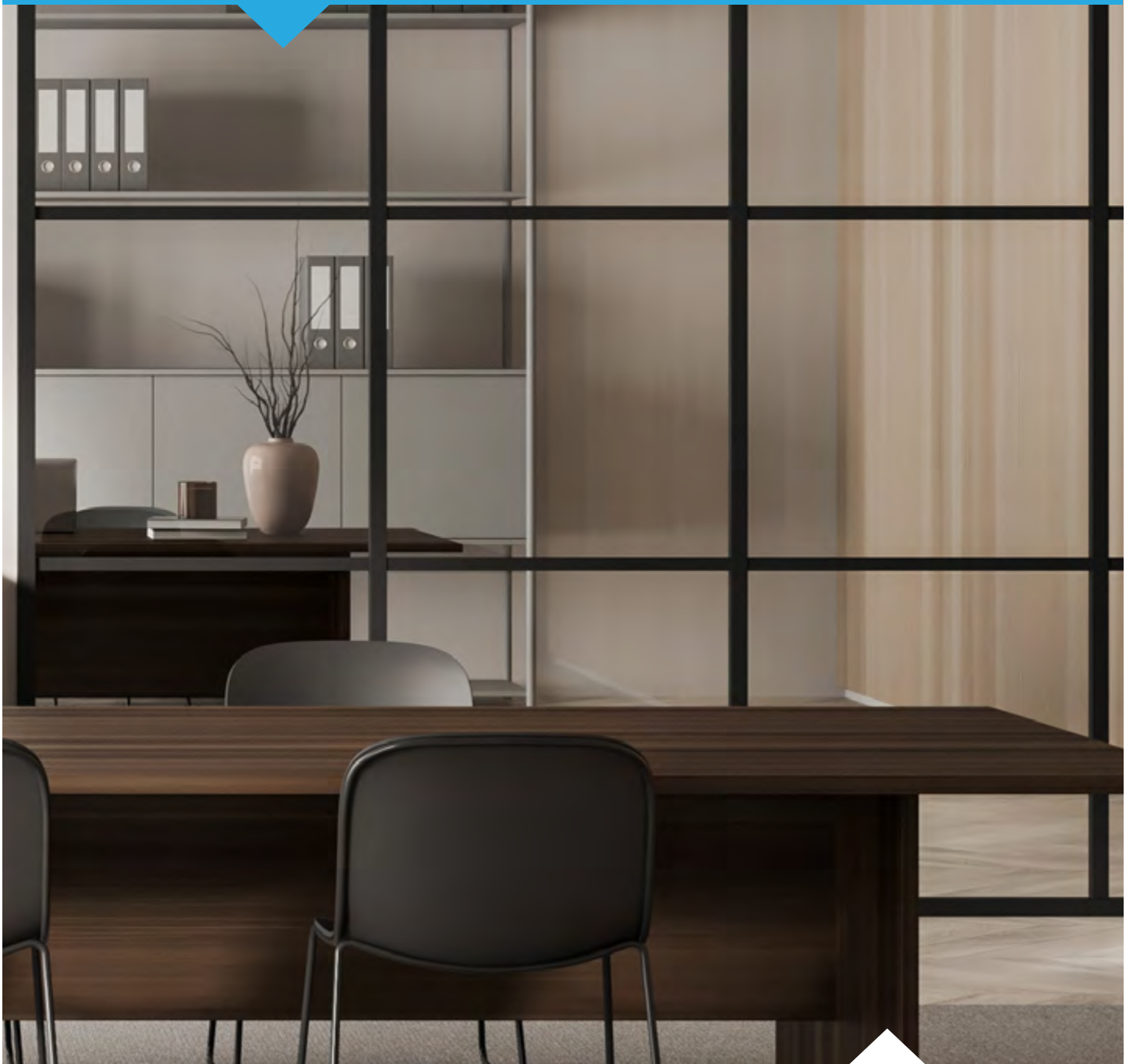
## Horizontal Locker Brush

Horizontal Locker Brush a simple way to close the gap between the glass door and the floor when the glass is equipped with a horizontal locker system.



DESCRIPTION	FINISH	LENGTH	CODE
Horizontal locker brush	SS effect	200mm	<b>G.OF.DDS.HB.200.SS</b>

# Loft Style



# Loft Style

ALUMINIUM DOOR FRAMES

## Aluminium Stud/ Wall To Glass Door Frame

This stud/wall to glass door aluminium door frame with integrated hinge & receiver profile is suitable for glass thicknesses of 8-10mm.

The recommended max door height is 2400mm. Above a height of 2200 mm, it is recommended to use 3 hinges.

Suitable when the stud/wall thickness is 100-130mm, 130-160mm & 160-195mm.

This profile is designed in this shape to fit securely into a reveal covering opening edge like an architrave.

The design creates a rebate for the glass door to reduce both noise and air movement.

Installing of the hinges requires no drilling or milling and they can be adjusted in seconds which makes this system a favourite for the installer.

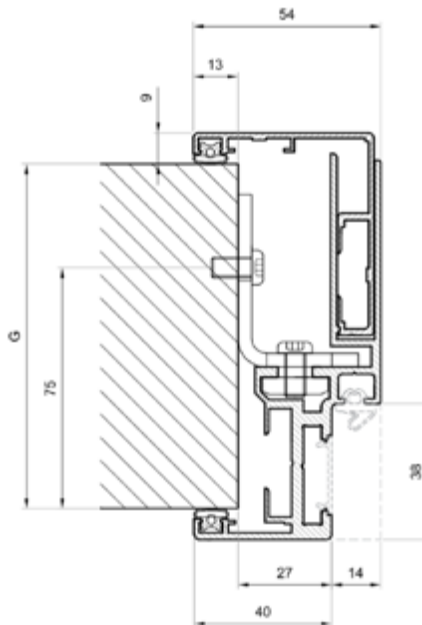
100-130mm Door Frame



130-160mm Door Frame



160-195mm Door Frame



DESCRIPTION	FINISH	UNIT OF SALE	CODE
100-130mm stud to glass door frame	Black	Each	<b>G.DK.SG.BK.001</b>
130-160mm stud to glass door frame	Black	Each	<b>G.DK.SG.BK.002</b>
160-195mm stud to glass door frame	Black	Each	<b>G.DK.SG.BK.003</b>

# Loft Style

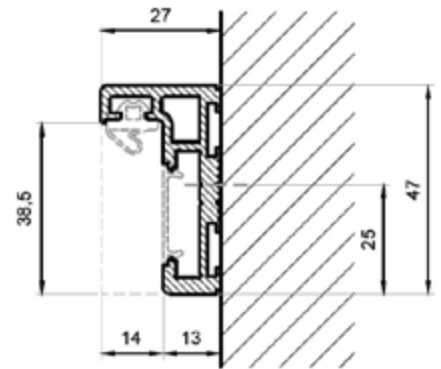
L & Z TYPE ALUMINIUM DOOR FRAMES

## L-Type Door Frame

The L-type aluminium door frame with integrated hinge & receiver profile is suitable for glass thicknesses of 8-10mm. The recommended max door height is 2400mm. Above a height of 2200 mm, it is recommended to use 3 hinges.

This profile is designed in a L type shape to sit in any reveal size over 50mm and create a rebate for the glass door to reduce both noise and air movement.

Installing of the hinges requires no drilling or milling and they can be adjusted in seconds which makes this system a favourite for the installer.



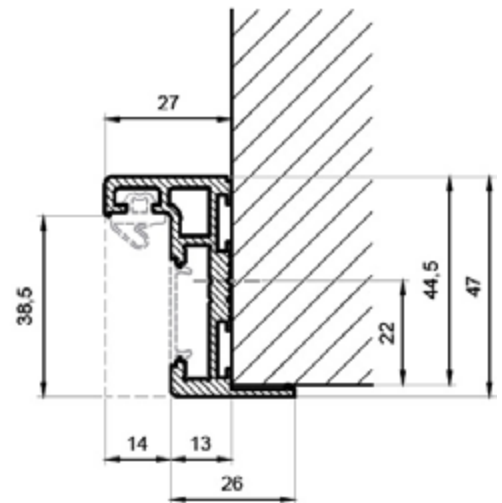
DESCRIPTION	FINISH	UNIT OF SALE	CODE
L-Type door frame	Black	Each	G.DK.SG.BK.004

## Z-Type Door Frame

The Z-type aluminium door frame with integrated hinge & receiver profile is suitable for glass thicknesses of 8-10mm. The recommended max door height is 2400mm. Above a height of 2200 mm, it is recommended to use 3 hinges.

This profile is designed in a z type shape to cover the edge of the reveal and create a rebate for the glass door reducing noise and air movement.

Installing of the hinges requires no drilling or milling and they can be adjusted in seconds which makes this system a favourite for the installer.



DESCRIPTION	FINISH	UNIT OF SALE	CODE
Z-Type door frame	Black	Each	G.DK.SG.BK.005

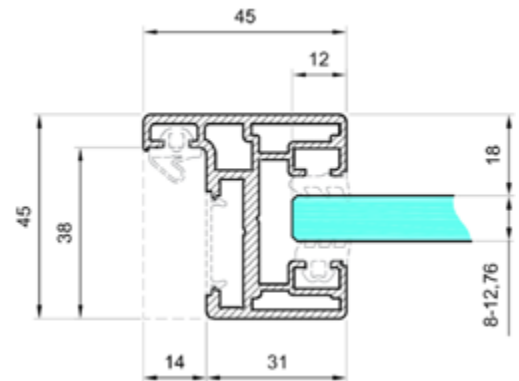
# Loft Style

H-TYPE DOOR FRAME & DYNAMIK DOOR HINGE

## H-Type Door Frame

The H-type aluminium door frame with integrated hinge & receiver profile is suitable for glass thicknesses of 8-10mm. The recommended max door height is 2400mm. Above a height of 2200 mm, it is recommended to use 3 hinges.

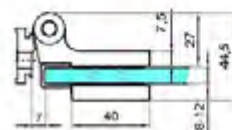
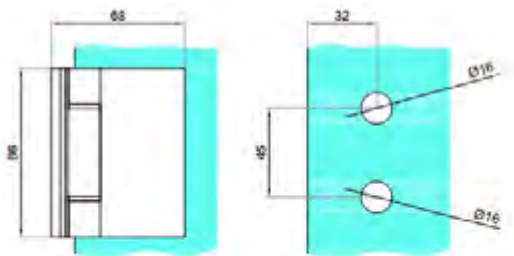
Installing of the hinges requires no drilling or milling and they can be adjusted in seconds which makes this system a favourite for the installer.



DESCRIPTION	FINISH	UNIT OF SALE	CODE
H-Type door frame	Black	Each	G.DK.SG.BK.006

## Loft Style Dynamik Door Hinge

Specially designed to work in harmony with the loft style perimeter profile.



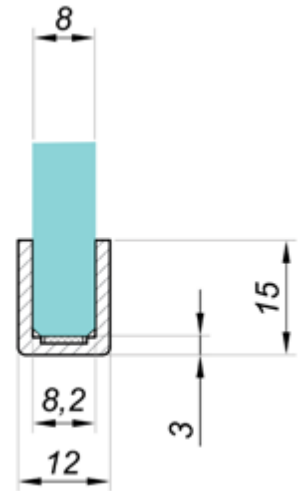
DESCRIPTION	FINISH	GLASS THICKNESS	UNIT OF SALE	CODE
Loft style Dynamik door hinge	Black	8mm	Each	G.DK.LOFT.004

# Loft Style

## LOFT STYLE PERIMETER U PROFILE & NOTCHED U PROFILE

### Loft Style Door Perimeter U Profile

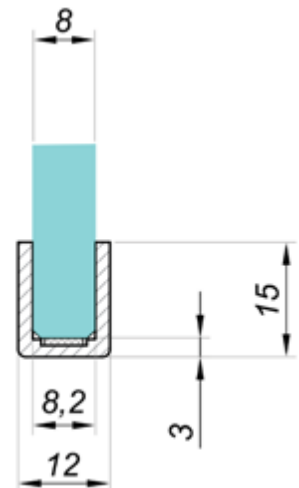
Loft style perimeter U profile. Suitable for 8mm glass thickness. Easily attached to the glass with suitable adhesive/silicone. Mitre the corners at 45 degrees for that seamless professional look.



DESCRIPTION	FINISH	GLASS THICKNESS	UNIT OF SALE	CODE
Loft style door perimeter U profile	Black	8mm	Each	<b>G.DK.LOFT.001</b>

### Loft Style Door Notched U Profile

Matches exactly with the above profile only that it is notched for use with a lever lock such as KLL801M-B. Only for use on the locking side and available in a left or right hand version. Easily attached to the glass with suitable adhesive/silicone. Mitre the corners at 45 degrees for that seamless professional look.



DESCRIPTION	FINISH	UNIT OF SALE	CODE
Loft style door notched U profile left	Black	Each	<b>G.DK.LOFT.002</b>
Loft style door notched U profile right	Black	Each	<b>G.DK.LOFT.003</b>

# Loft Style

H PROFILES

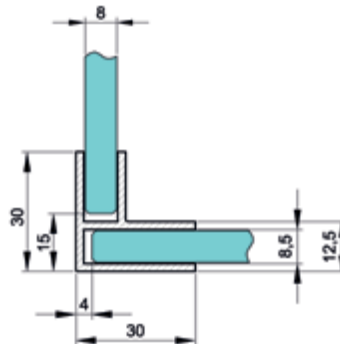
## Loft Style 90° Corner Profiles

Available for 8 or 10mm thick glass.

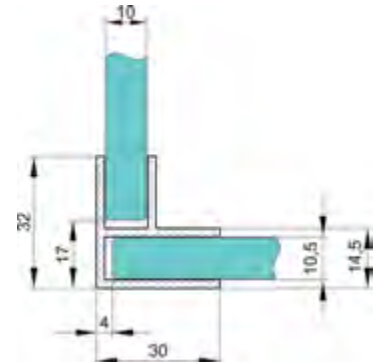
These 90 degree corners are easily installed using a silicone type adhesive. Used vertically to form a metal frame effect for that genuine look and feel.

Can be used with any of our Dynamik partition profiles.

8mm 90° H-profile



10mm 90° H-profile

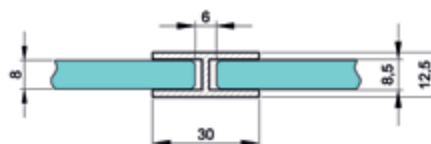


DESCRIPTION	FINISH	GLASS THICKNESS	LENGTH	CODE
90° H- profile	Black anodised	8mm	3000mm	<b>G.DK.LOFT.020</b>
90° H- profile	Black anodised	10mm	3000mm	<b>G.DK.LOFT.021</b>

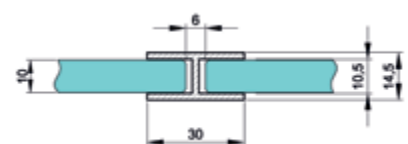
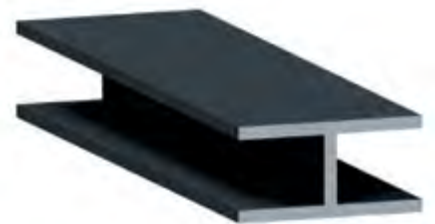
## Loft Style 180° Degree Profiles

Available for 8 or 10mm thick glass. These 180 degree corners are easily installed using a silicone type adhesive. Used vertically on the joint of two glass panes to form a metal frame effect for that genuine look and feel. Can be used with any of our Dynamik partition profiles.

8mm 180° H-profile



10mm 180° H-profile



DESCRIPTION	FINISH	GLASS THICKNESS	LENGTH	CODE
180° H- profile	Black anodised	8mm	3000mm	<b>G.DK.LOFT.022</b>
180° H- profile	Black anodised	10mm	3000mm	<b>G.DK.LOFT.023</b>

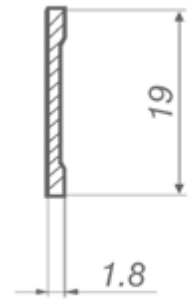
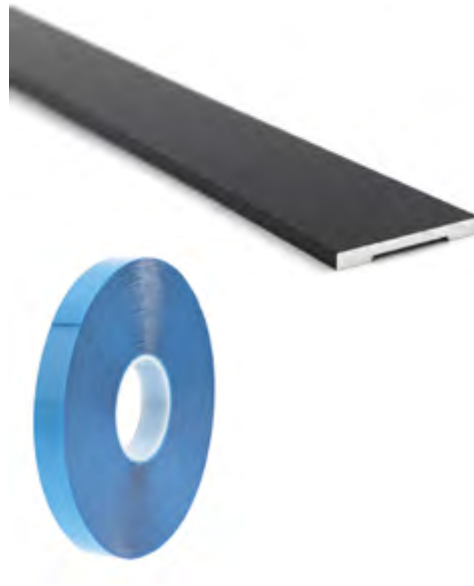


# Loft Style

LOFT STYLE STICK ON GRID PROFILE

## Loft Style Stick On Grid Profile

This 19mm x 1.8mm thick aluminium profile that can easily be used horizontally or vertically to create that loft look. Ideally used with our special 0.75mm thick acrylic tape in the slotted area to the back of the profile to ensure a genuine look and feel. Can be used with any of our Dynamik partition profiles.



DESCRIPTION	FINISH	UNIT OF SALE	CODE
Loft style stick on grid profile	Black	Each	<b>G.DK.LOFT.005</b>
Crystal clear double side acrylic tape	Clear	33 metre roll	<b>H.A7200.09.07</b>



# Loft Style

USING THE LOFT STYLE PRODUCTS

## Loft Style Dynamik Door Hinge

G.DK.LOFT.004



## Crystal Clear Double Side Acrylic Tape

H.A7200.09.07

## Small Magnetic Catch Lever

Lock - Without Lock

KLL.801M-B



## Loft Style Door Perimeter U Profile

Profile

G.DK.LOFT.001





L-Type Door Frame  
G.DK.SG.BK.004



Loft Style Stick On  
Grid Profile  
G.DK.LOFT.005



Loft style door notched U  
Profile Left  
G.DK.LOFT.002



# Loft Style

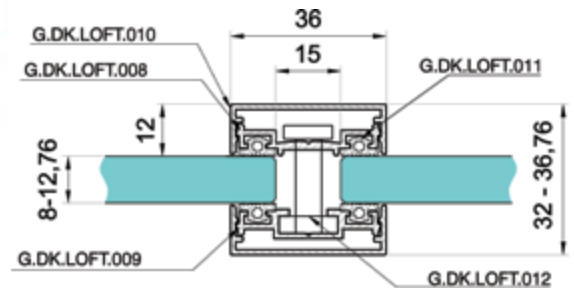
VERTICAL MULLION & STICK ON MULLION

## Vertical Mullion

Creating that old steel type loft style window feel.

The vertical bolt through mullion is easily installed by bolting G.DK.LOFT.008 through the glass joint to G.DK.LOFT.009 and then covered over on both sides using G.DK.LOFT.010.

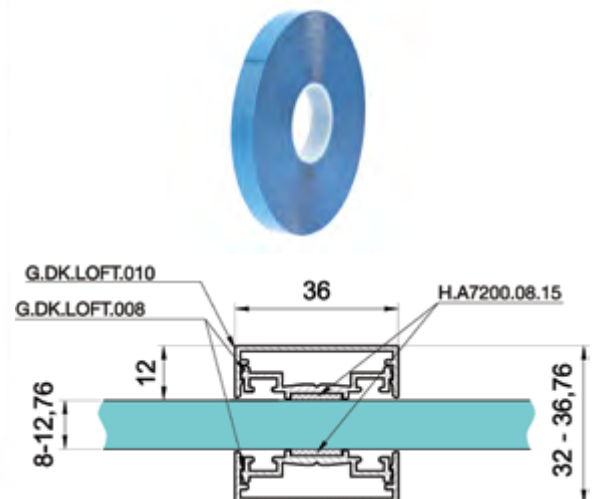
Ideally used with the 36 x 38mm bottom and top partition profiles.



DESCRIPTION	FINISH	UNIT OF SALE	CODE
Vertical mullion	Black	3 metre kit	<b>G.DK.LOFT.006</b>

## Stick On Mullion

Creating that old steel type loft style window feel. This mullion profile can be used both vertically and horizontally and is easily installed by sticking G.DK.LOFT.008 on both sides of the glass using our acrylic tape and then covered over on both sides using G.DK.LOFT.010. Ideally used with the 36 x 38mm bottom and top partition profiles.



DESCRIPTION	FINISH	UNIT OF SALE	CODE
Stick on mullion	Black	3 metre kit	<b>G.DK.LOFT.007</b>
Crystal clear double side acrylic tape	Clear	33 metre roll	<b>H.A7200.08.15</b>

# Loft Style

## MULLION COMPONENTS & BOLT ON MULLION GASKET

### Vertical & Horizontal Mullion Components

These items are used to create the previous two kits. While the same mullion cover profile is used for both the stick on and bolted vertical mullion the base profiles differ.

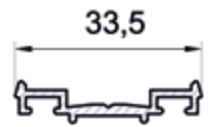
The Stick on & Bolt on Base Profile is used on both sides of the glass in a stick on mullion but only on one side in a bolted mullion.

The Bolt On Base Profile Used only with a bolt on mullion installation. This profile holds the nut that allows the previous profile to be bolted too.

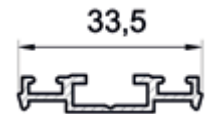
The Mullion Cover Profile is used on both sides of the glass in both the bolt on and stick on mullion installations.



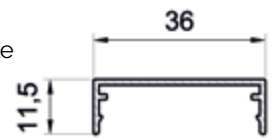
Stick on & Bolt on Base Profile



Bolt On Base Profile



Mullion Cover Profile



DESCRIPTION	FINISH	LENGTH	CODE
Stick on & bolt on base profile	Black	3000mm	<b>G.DK.LOFT.008</b>
Bolt on base profile	Black	3000mm	<b>G.DK.LOFT.009</b>
Mullion cover profile	Black	3000mm	<b>G.DK.LOFT.010</b>

### Bolt On Mullion Gasket

Used only with the bolt on mullion. This gasket is installed in the base profiles on both sides creating a barrier between the profile and the glass.



DESCRIPTION	FINISH	UNIT OF SALE	CODE
Bolt on mullion gasket	Black	Per metre	<b>G.DK.LOFT.011</b>

# Loft Style

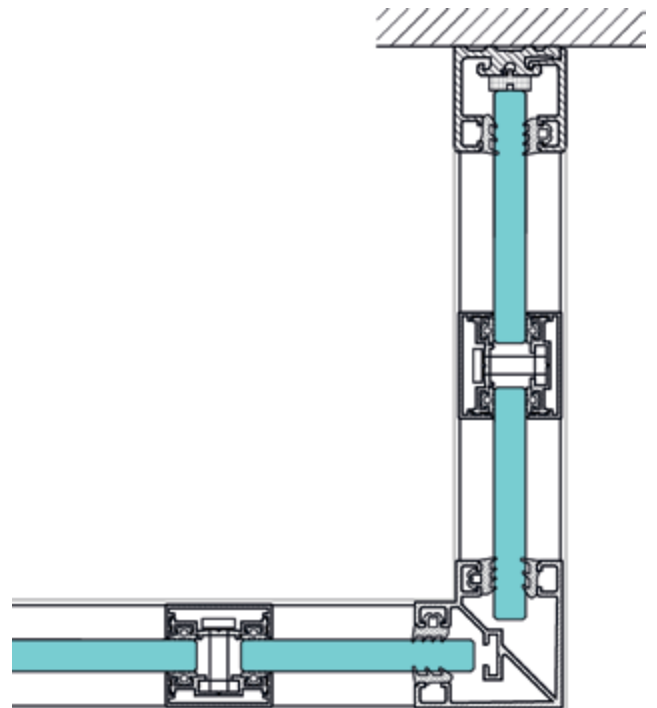
BOLT SET FOR BOLT ON MULLION

## Bolt Set For Bolt On Mullion

Available in three different lengths for different glass thicknesses. It is recommended that six bolts be used in a 3 metre length. The Base profile must be drilled to allow the bolt through.



DESCRIPTION	UNIT OF SALE	GLASS THICKNESS	CODE
Bolt set for bolt on mullion	Set of 6	8mm	<b>G.DK.LOFT.012.8</b>
Bolt set for bolt on mullion	Set of 6	10mm	<b>G.DK.LOFT.012.10</b>
Bolt set for bolt on mullion	Set of 6	12mm	<b>G.DK.LOFT.012.12</b>

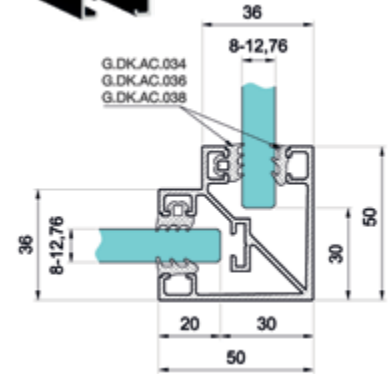
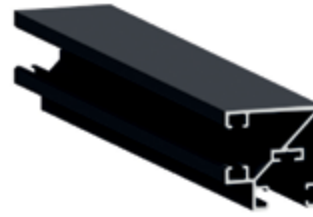


# Loft Style

90° CORNER MULLION, INSTALLATION BRACKET & FIXED GLASS GASKETS

## 90° Corner Mullion

Creating that bulkier and more robust industrial look. This 90 degree mullion profile is better used with the 36 x 38 partition system. Easily installed using the bracket G.DK.LOFT.014 and the gaskets from the 36 x 38 partition system for your chosen glass thickness. This corner profile is better installed prior to any glass installation. The glass is then installed in the corner and then working away from it.



DESCRIPTION	FINISH	UNIT OF SALE	CODE
90° corner mullion	Black	3 metre	<b>G.DK.LOFT.013</b>

## 90° Corner Mullion Installation Bracket

Used in conjunction with the above corner mullion for fixing the profile to the ceiling and the floor.



DESCRIPTION	FINISH	UNIT OF SALE	CODE
90° corner mullion	Black	Each	<b>G.DK.LOFT.014</b>

## Fixed Glass Gaskets

Black Fixed Glass Gaskets For 8mm, 10mm and 12mm Glass.



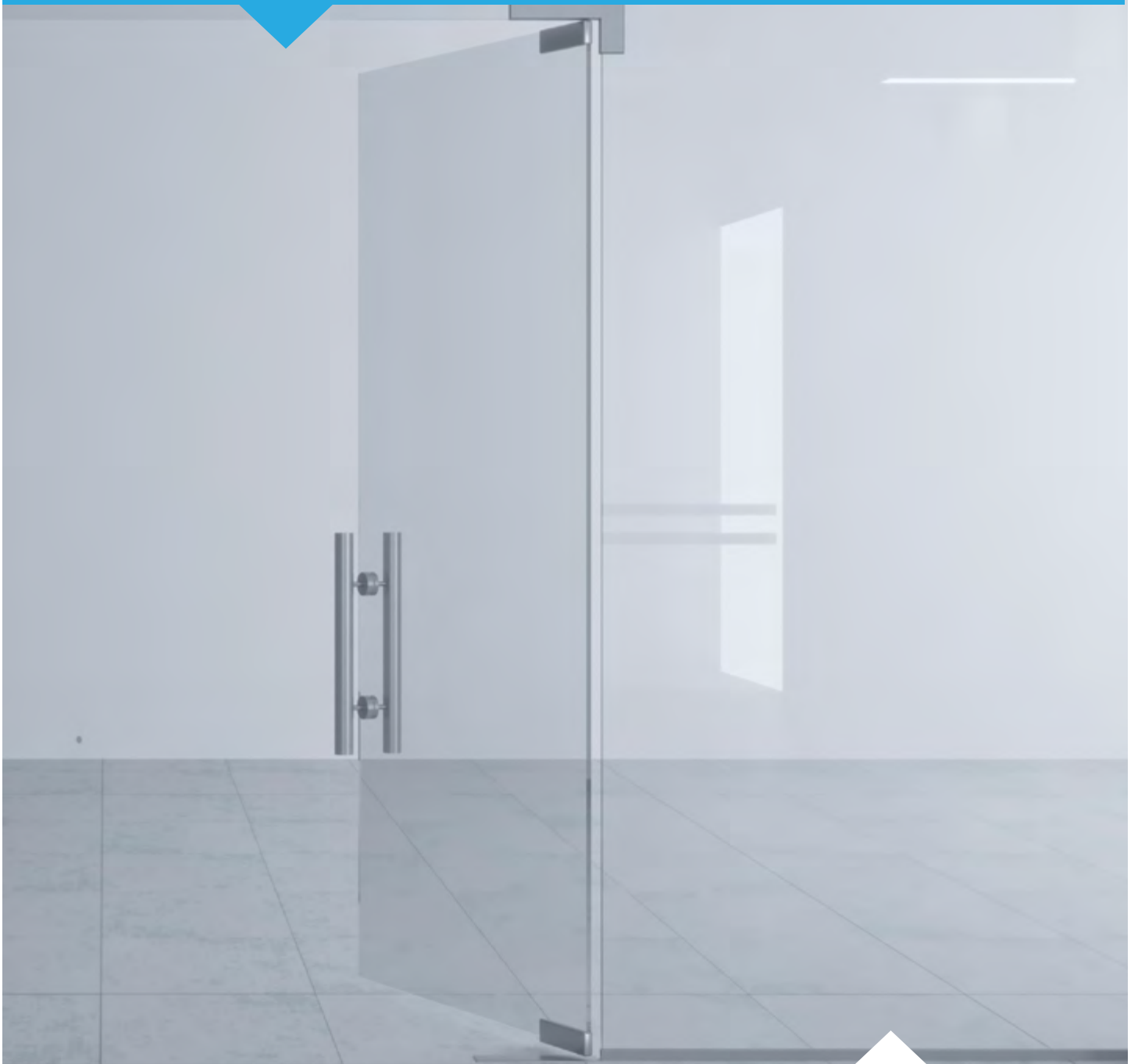
DESCRIPTION	FINISH	UNIT OF SALE	GLASS THICKNESS	CODE
Fixed glass gasket	Black	Per metre	8mm	<b>G.DK.AC.034</b>
Fixed glass gasket	Black	Per metre	10mm	<b>G.DK.AC.036</b>
Fixed glass gasket	Black	Per metre	12mm	<b>G.DK.AC.038</b>

# Loft Style





# Patch Fittings & Frameless Hardware

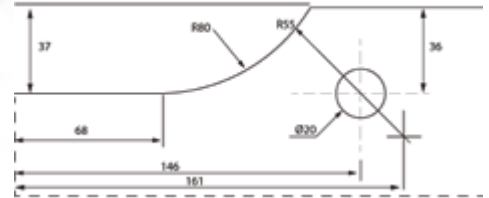


# Patch Fittings & Frameless Hardware

TOP & BOTTOM PATCH FITTINGS

## Top Patch Fittings

Standard Top Patch Fitting & GCC Top Patch Fitting. If the door panel is 3 Metres high by 1 Metres, 12mm thick glass is recommended. For doors that weigh 120kg and has a width of 1400mm a door rail fitting with a reinforced strap should be used.



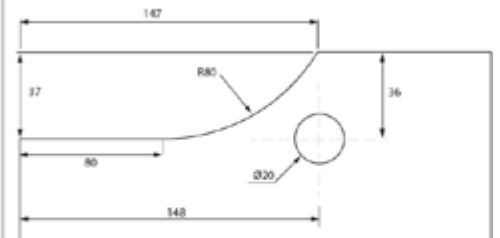
Top Pivot Kg124



DESCRIPTION	FINISH	UNIT OF SALE	CODE
Standard top patch fitting	Satin Stainless	Each	<b>KGT20SS-STD</b>
GCC top patch fitting	Satin Stainless	Each	<b>KGT20SS</b>

## Bottom Patch Fittings

Standard Bottom Patch Fitting and GCC Bottom Patch Fittings. Satin stainless steel glass door standard bottom DT pivot fitting.



DESCRIPTION	FINISH	UNIT OF SALE	CODE
Standard bottom patch fitting	Satin Stainless	Each	<b>KGT10SS-STD</b>
GCC bottom patch fitting	Satin Stainless	Each	<b>KGT10SS</b>

# Patch Fittings & Frameless Hardware

SELF CLOSING GLASS DOOR KIT

## Hydraulic Bottom Patch Door Kit

This complete kit KDKIT001 is suitable for use in office and domestic environments.

The hydraulic patch fitting on the bottom is ideal for use where raised access floors are in use or where a door closing solution is needed but digging out for a floor spring is not suitable.

The kit is available in both a Satin Stainless and Matt Black finish.

This kit includes the bottom hydraulic patch fitting and mounting plate, the top patch fitting and top pivot. Easy installation with base seat adjustable: +3mm backward and forward, +3mm left and right and 4° alignment adjustment.

This hydraulic patch fitting complies with EN1154 unlike some others on the market.

Door Width : 750mm to 1000mm

Glass Thickness : 8mm to 12mm

Max. Door Weight : 100kg.

Bottom patch  
KGT10SS-AUTO100



Top patch  
KGT20SS-PLUS

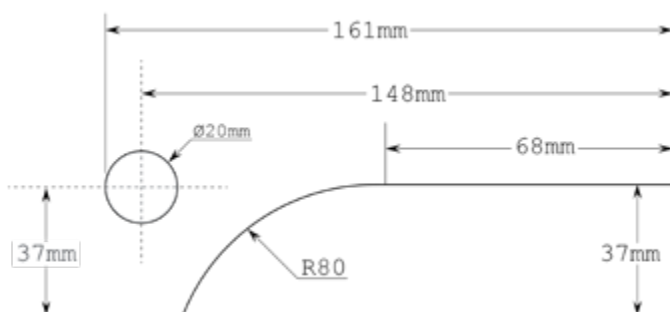


Top pivot  
K9124

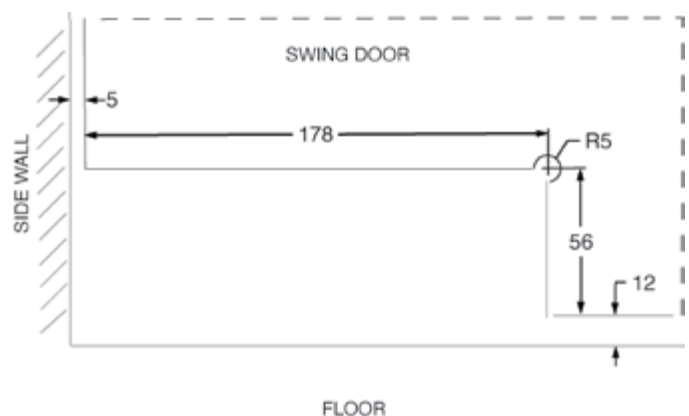


DESCRIPTION	FINISH	UNIT OF SALE	CODE
Hydraulic bottom patch door kit	Satin stainless	Kit	<b>KDKIT001</b>
Hydraulic bottom patch door kit	Matt black	Kit	<b>KDKIT001.BK</b>

Top Patch cut out detail



Bottom Hydraulic Patch cut out detail

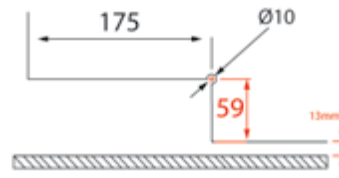
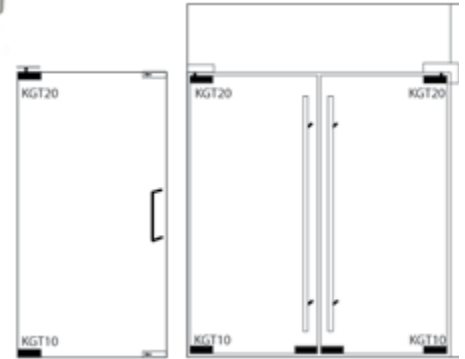


# Patch Fittings & Frameless Hardware

TOP & BOTTOM PATCH FITTINGS

## GCC Glass Door Hydraulic Bottom Patch Fitting (Hold Open)

90 degree hold open hydraulic bottom patch fitting. Easy closing and latching speed adjustment. Max. door weight 100kg. For glass thickness : 10mm-13mm.



### DESCRIPTION

GCC glass door hydraulic bottom patch

### FINISH

Satin stainless

### UNIT OF SALE

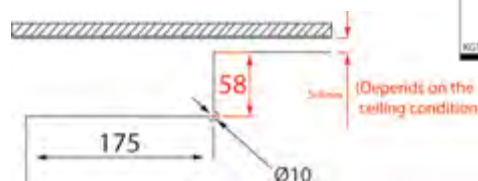
Each

### CODE

**KGT100SS-HO**

## GCC Oversized Top Patch Fitting To Match KGT100SS

Top patch fitting design and size match bottom patch fitting KGT100SS-HO. 304 grade stainless steel covers for glass thickness: 10mm-13mm



### DESCRIPTION

GCC oversized top patch fitting

### FINISH

Satin stainless

### UNIT OF SALE

Each

### CODE

**KGT200SS**

# Patch Fittings & Frameless Hardware

## HEAVY DUTY BOTTOM PATCH FITTING

### Heavy Duty Bottom Hydraulic Patch Fitting

Bottom patch fitting with concealed spring for door closing. With this fitting there is now no need to dig out for traditional floor spring boxes especially in areas where underground services may be present such as underfloor heating.

These are ideal for offices, internal doors or external doors that may be sheltered from extreme wind. Available in 90 degree hold open and non hold open options.

Specification:  
Compliant with EN 1154

Quick and easy installation.

Suitable door weight: Max 100kg.

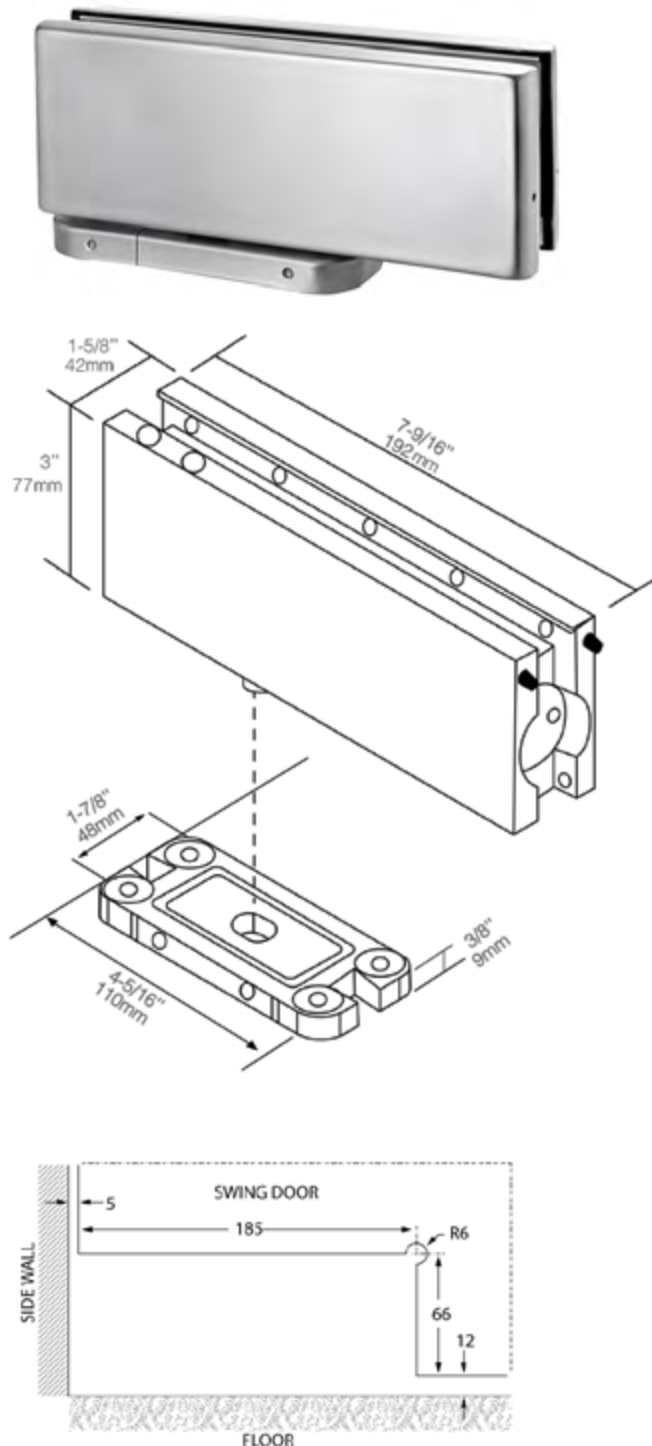
Suitable door width: 750-1250mm.

Suitable door thickness: 10-15mm.

Easy installation with base seat adjustable: +3mm backward and forward +3mm left and right and 4° alignment adjustment.

Finish: SSS

Available in 90 degree hold open and non hold open option.



DESCRIPTION	FINISH	UNIT OF SALE	CODE
Heavy duty bottom hydraulic patch fitting	Satin stainless	Each	<b>KGT10SS-AUTO105</b>
Heavy duty bottom hydraulic patch fitting	Satin stainless	Each	<b>KGT10SS-AUTO105NHO</b>

# Patch Fittings & Frameless Hardware

HEAVY DUTY HYDRAULIC PATCH FITTING

## Heavy Duty Power Adjustable Hydraulic Patch Fitting

Bottom patch fitting with concealed spring for door closing. With this fitting there is now no need to dig out for traditional floor spring boxes especially in areas where underground services may be present such as underfloor heating.

These are ideal for offices, internal doors or external doors that may be sheltered from extreme wind.

Specifications: Compliant with EN 1154 Quick and easy installation.

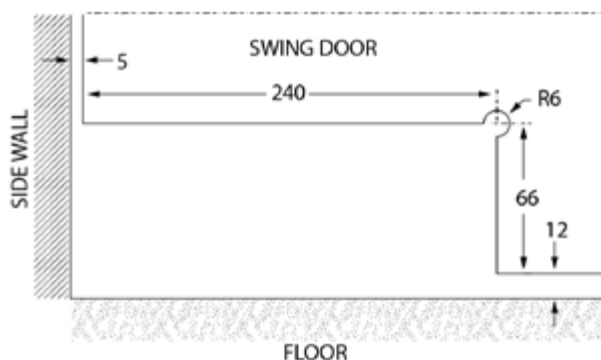
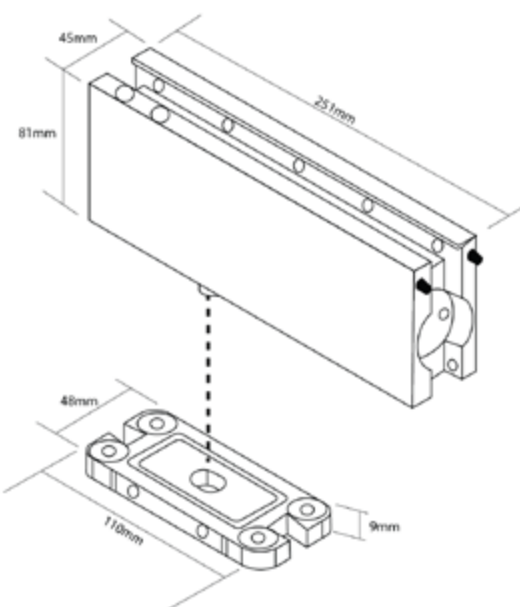
Suitable door weight: Max 100kg.

Suitable door width: 750-1250mm.

Suitable door thickness: 10-15mm.

Easy installation with base seat adjustable: +/-3mm backward and forward +/-3mm left and right.

Finish: SSS



### DESCRIPTION

HD bottom hydraulic patch fitting

### FINISH

Satin stainless

### UNIT OF SALE

Each

### CODE

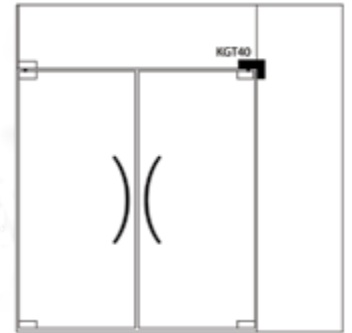
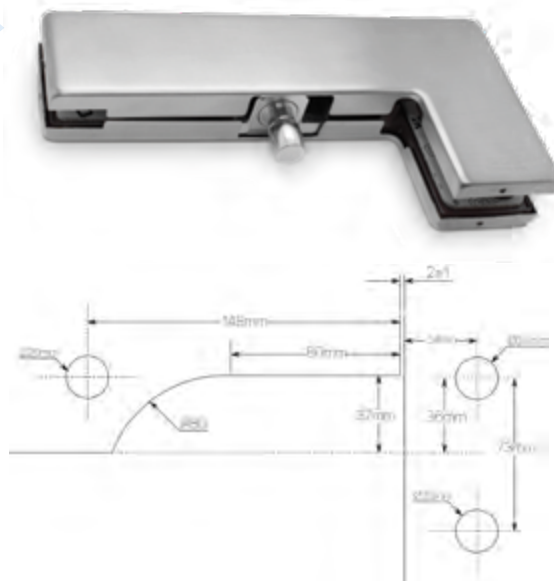
KGT10SS-AUTO135

# Patch Fittings & Frameless Hardware

CORNER TRANSOM & STRIKE BOX

## Corner Transom - Satin Stainless

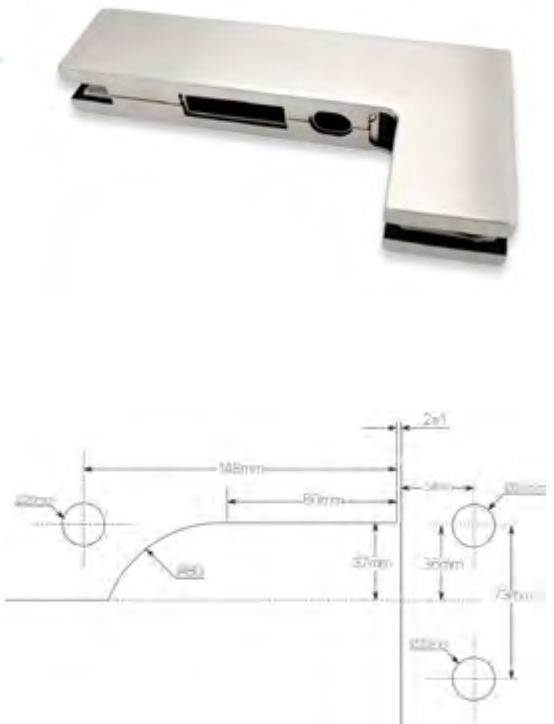
Easy installation with a unique designed body in three pieces, a great deal of time and effort can be saved by separate installation in side panel and overpanel. Same construction for KGT40, KGT40K, KGT41, KGT41K and KGT41KS. For overpanel and sidepanel With 15mm diameter pivot. Two options in the pivot point, distance from the sidepanel from the frame can be either 55mm or 65mm.



DESCRIPTION	FINISH	UNIT OF SALE	CODE
GCC corner transom fitting	Satin Stainless	Each	<b>KGT40SS</b>
Standard corner transom fitting	Satin Stainless	Each	<b>KGT40SS-STD</b>

## Corner Transom Strike Box

Easy installation with a unique designed body in three pieces, a great deal of time and effort can be saved by separate installation in side panel and overpanel. No stopper which allows the door to swing both ways. For use with the corner lock KGL50SSS



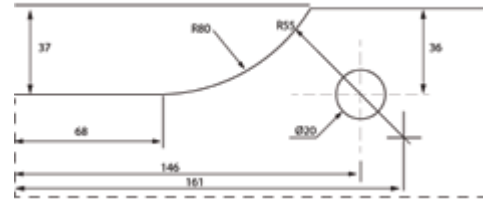
DESCRIPTION	FINISH	UNIT OF SALE	CODE
Corner transom strike box	Satin Stainless	Each	<b>KGT40KSS</b>

# Patch Fittings & Frameless Hardware

OVERPANEL FITTINGS & CORNER TRANSOM

## Overpanel Fitting

Over panel fitting with the standard 15mm pivot to match the KGT20SS top patch. This versatile over panel fitting can be easily mounted to the wall via the fittings K9130 or K9140AL.



K9130

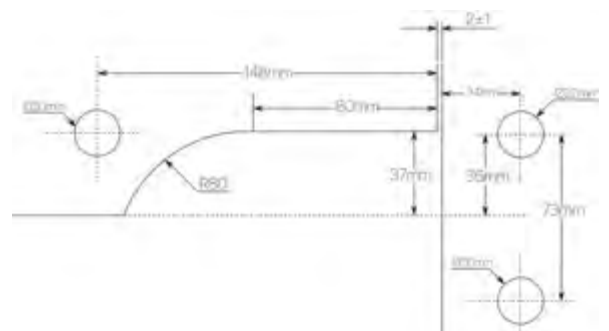
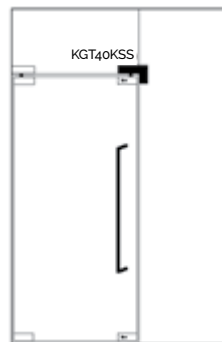
K9140AL



DESCRIPTION	FINISH	UNIT OF SALE	CODE
Overpanel fitting	Satin stainless	Each	<b>KGT30SS</b>
Fixing screw for top pivot to wall	Brass wall plug	Each	<b>K9130</b>
Overpanel fitting fixing	Aluminium	Each	<b>K9140AL</b>

## Corner Transom With Strike Box & Stopper

Easy installation with a unique designed body in three pieces, a great deal of time and effort can be saved by separate installation in side panel and overpanel. The stopper is reversible to make door swing in or out. For use with the corner lock KGL50SSS



DESCRIPTION	FINISH	UNIT OF SALE	CODE
GCC corner transom strike box with stopper	Satin stainless	Each	<b>KGT40KSSS</b>

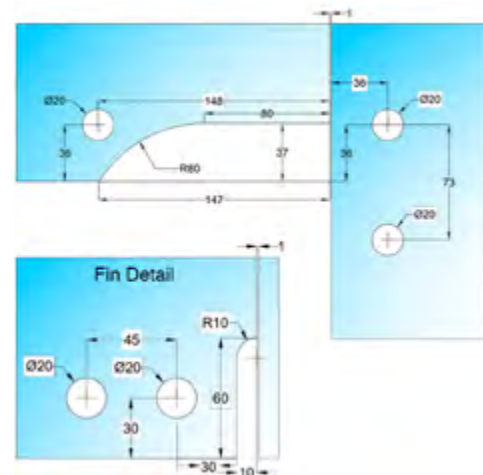


# Patch Fittings & Frameless Hardware

## CORNER TRANSOMS

### Corner Transom With Fin & Pivot

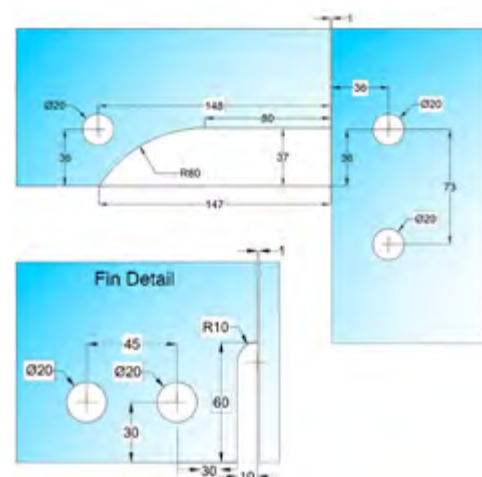
Easy installation with a unique body in three pieces, a great deal of time and effort can be saved by separate installation in side panel and overpanel. For overpanel and sidepanel with fin fitting inside. With 15mm diameter pivot to fit KGT20SS. Available in left and right hand options.



DESCRIPTION	FINISH	UNIT OF SALE	CODE
Left corner transom with pivot & fin	Satin stainless	Each	<b>KGT41LSS-STD</b>
Right corner transom with pivot & fin	Satin stainless	Each	<b>KGT41RSS-STD</b>
Left GCC corner transom with fin	Satin stainless	Each	<b>KGT41LSS</b>
Right GCC corner transom with fin	Satin stainless	Each	<b>KGT41RSS</b>

### Corner Transom With Fin & Strike Box

Easy installation with a unique designed body in three pieces, a great deal of time and effort can be saved by separate installation in side panel and overpanel. For overpanel and sidepanel with fin fitting inside. Available in left and right hand options. For use with the corner lock KGL50SSS.



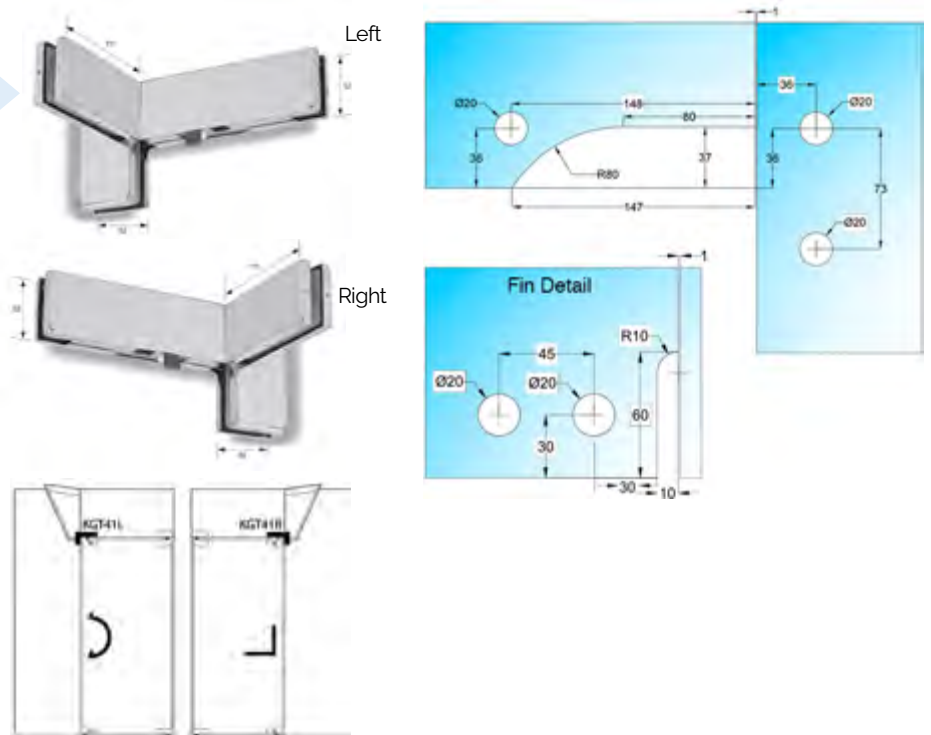
DESCRIPTION	FINISH	UNIT OF SALE	CODE
Left corner transom with strike box & fin	Satin stainless	Each	<b>KGT41KLSS</b>
Right corner transom with strike box & fin	Satin stainless	Each	<b>KGT41KRSS</b>

# Patch Fittings & Frameless Hardware

## CORNER TRANSOM & DOUBLE OVERPANEL FITTING

### Corner Transom With Fin, Strike Box & Stopper

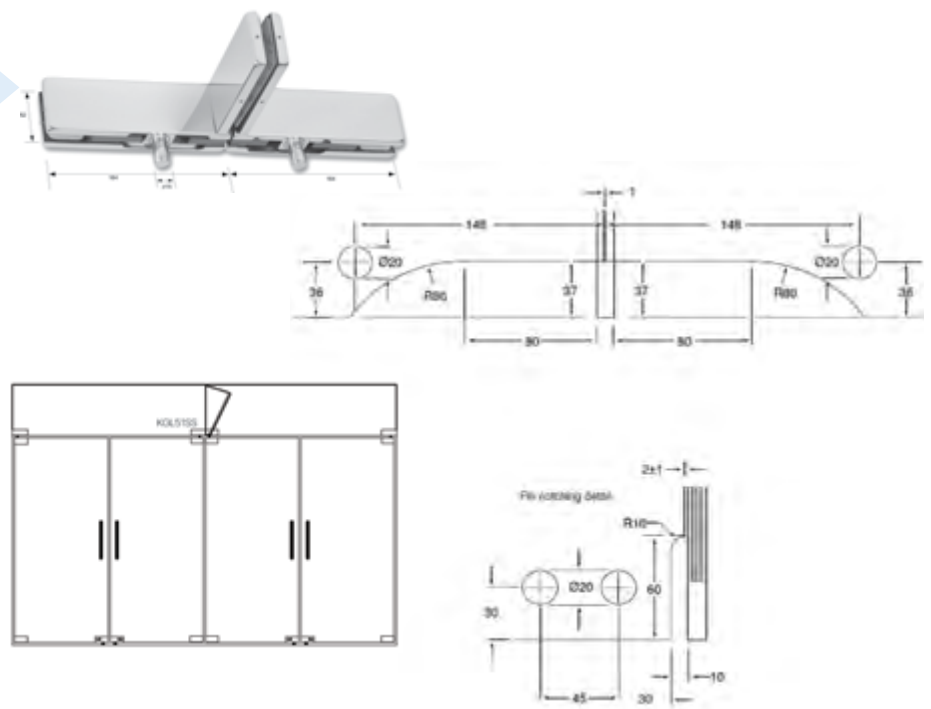
Easy installation with a unique designed body in three pieces, a great deal of time and effort can be saved by separate installation in side panel and overpanel. For overpanel and sidepanel with fin fitting inside. Available in left and right hand options. The stopper ensures that the door is opened one way only. The direction of the door can be changed by turning the stopper. For use with the corner lock KGL50SSS.



DESCRIPTION	FINISH	UNIT OF SALE	CODE
Corner transom strike/fin with stop left	Satin stainless	Each	<b>KGT41KSLSS</b>
Corner transom strike/fin with stop right	Satin stainless	Each	<b>KGT41KSRSS</b>

### Double Overpanel Fitting With Fin & Pivots

Used where there is an over panel and fin with two doors opening back to back. 15mm pivots to suit the standard KGT20SS patch fitting.



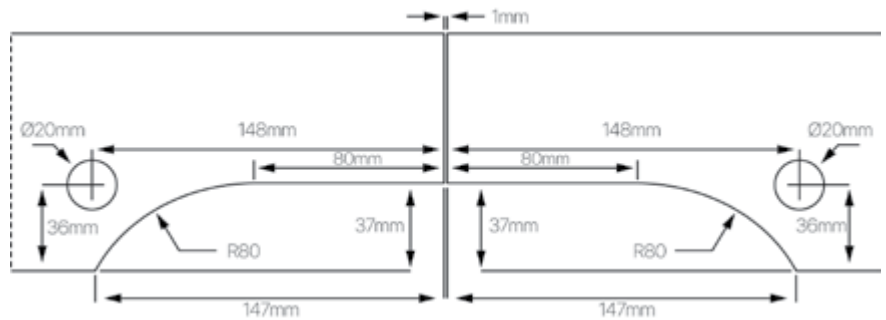
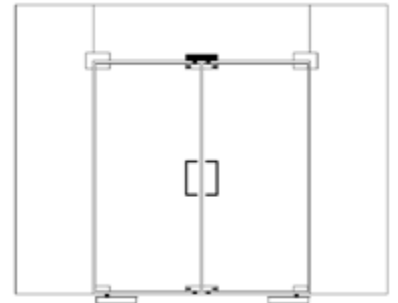
DESCRIPTION	FINISH	UNIT OF SALE	CODE
Double overpanel fitting with fin & pivots	Satin stainless	Each	<b>KGT51SS</b>

# Patch Fittings & Frameless Hardware

## DOUBLE OVERPANEL STRIKE BOXES

### Double Overpanel Strike Box

Double Over Panel Strike box to suit two KGL50SSS Corner Locks on top.



#### DESCRIPTION

Double overpanel strike box

#### FINISH

Satin stainless steel

#### UNIT OF SALE

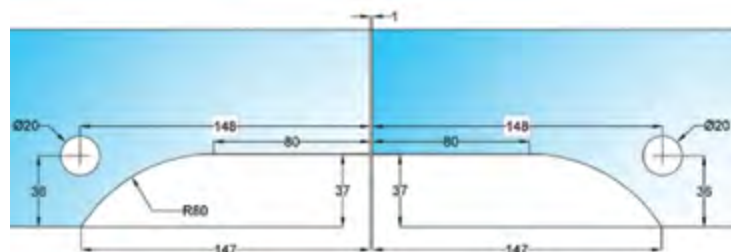
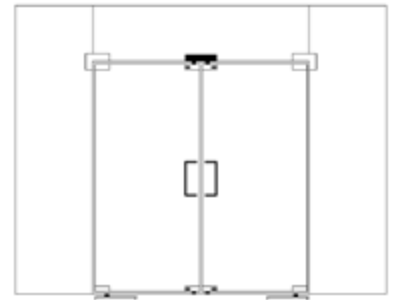
Each

#### CODE

**KGL502KSS**

### Double Overpanel Strike Box With Stopper

Double Over Panel Strike box with stopper to suit two KGL50SSS Corner Locks on top. Stopper is reversible for single action, makes door swing in or out.



#### DESCRIPTION

Double overpanel strike box with stopper

#### FINISH

Satin stainless steel

#### UNIT OF SALE

Each

#### CODE

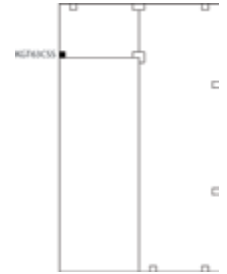
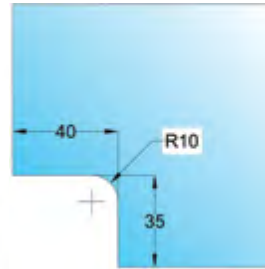
**KGL502KSS**

# Patch Fittings & Frameless Hardware

CORNER FITTING, GLASS CLAMP & SIDE CONNECTOR

## Corner Fitting

Corner Fitting used for joint overpanel at corner to wall



### DESCRIPTION

Corner fitting

### FINISH

Satin stainless steel

### UNIT OF SALE

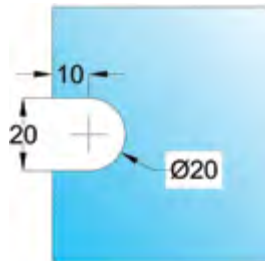
Each

### CODE

**KGT63CSS**

## Glass Clamp

Glass Clamp used to join overpanels and sidepanels to reduce flexing when pressure is applied.



### DESCRIPTION

Glass clamp

### FINISH

Satin stainless steel

### UNIT OF SALE

Each

### CODE

**KGT63SS**

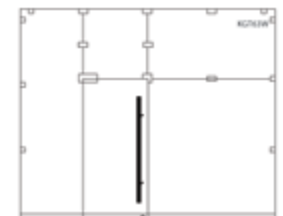
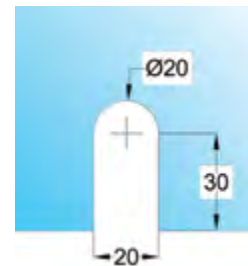
## Side Connector

Side Connector used to hold fixed panel or support fin bracket. Can be used with fixing plate or fixing screw.



K9130

K9142



### DESCRIPTION

Side connector

### FINISH

Satin stainless steel

### UNIT OF SALE

Each

### CODE

**KGT63WSS**

Fixing screw for top pivot to wall

Brass wall plug

Each

**K9130**

Mounting plate

Satin stainless steel

Each

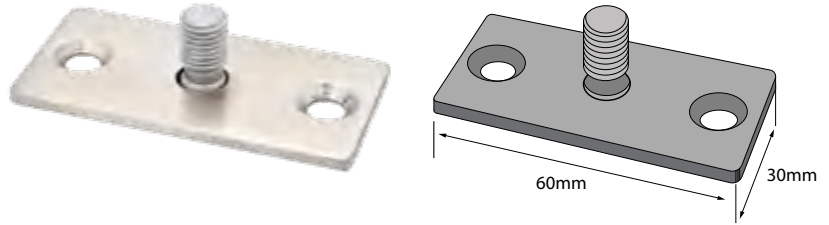
**K9142**

# Patch Fittings & Frameless Hardware

FIXING PLATE, OVERPANEL CONNECTOR WITH FIN & SIDE CONNECTOR

## Fixing Plate

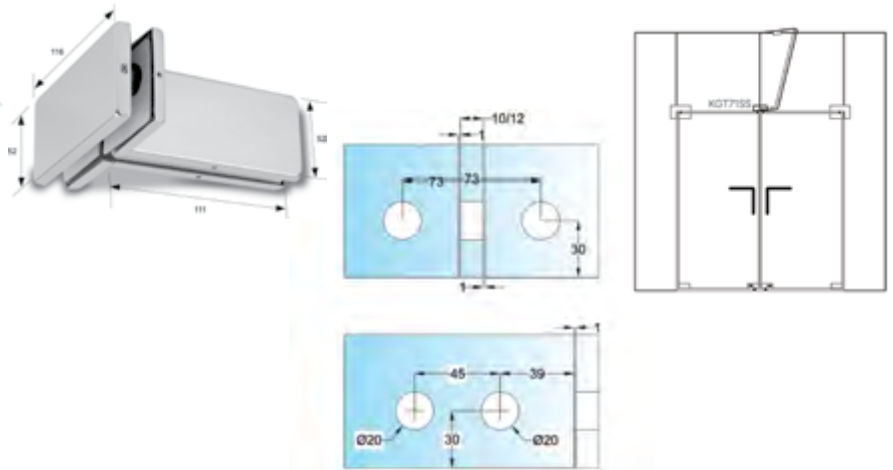
For use with KGT63W AND KGT63C Side Connector and Corner Fittings.



DESCRIPTION	FINISH	UNIT OF SALE	CODE
Fixing plate	Satin stainless steel	Each	<b>Kg141</b>

## Overpanel Connector With Fin

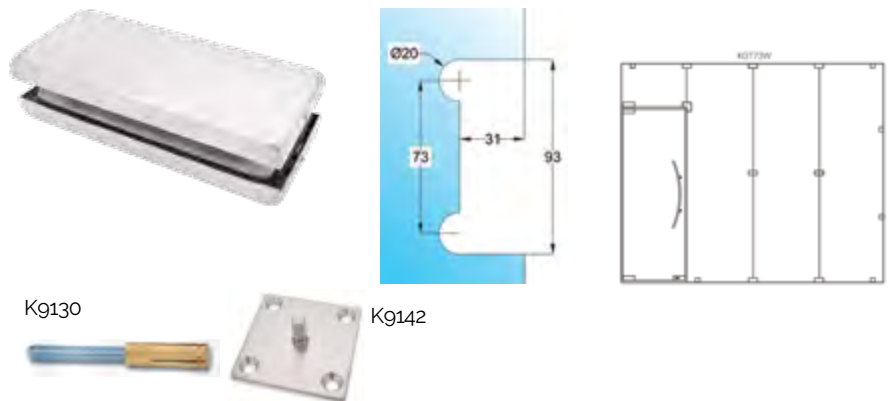
Overpanel Connector with Fin. Fix overpanel with support fin to achieve the desired structural strength. For supporting glass partition or glass curtain wall with fin.



DESCRIPTION	FINISH	UNIT OF SALE	CODE
Overpanel connector with fin	Satin stainless steel	Each	<b>KGT71SS</b>

## Side Connector

Side Connector used to hold the fixed panel or support fin bracket.



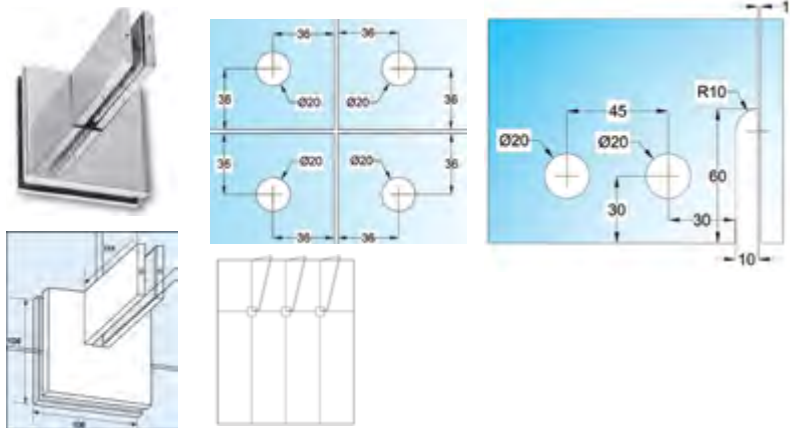
DESCRIPTION	FINISH	UNIT OF SALE	CODE
Side connector	Satin stainless steel	Each	<b>KGT73WSS</b>
Fixing screw for top pivot to wall	Brass wall plug	Each	<b>K9130</b>
Mounting plate	Satin stainless steel	Each	<b>K9142</b>

# Patch Fittings & Frameless Hardware

CONNECTOR FIN, CORNER TRANSOM CONNECTOR & DOUBLE OVER PANEL CONNECTOR

## Connector Fin

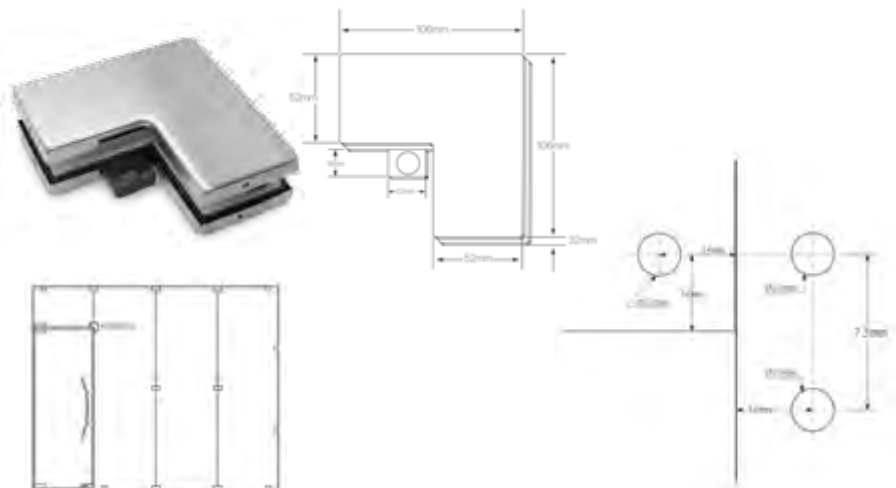
Connector Fitting with fin



DESCRIPTION	FINISH	UNIT OF SALE	CODE
Connector fin	Satin stainless steel	Each	<b>KGT81SS</b>

## Corner Transom Connector

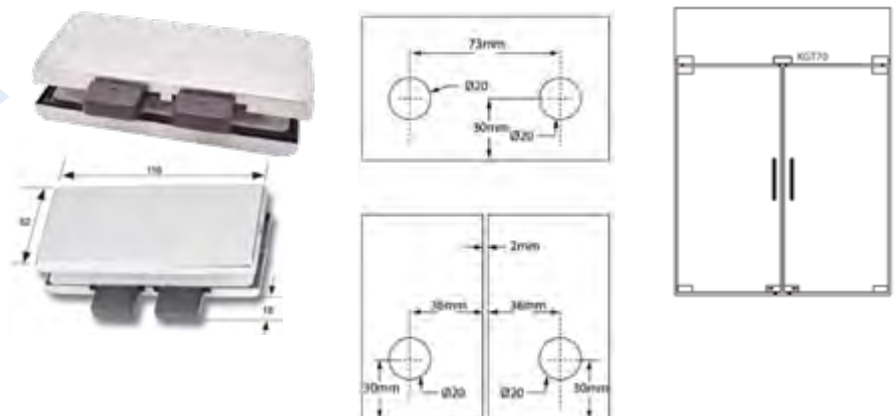
Corner Transom Connector for use with overpanel and sidepanel. With reversible door stop insert for single action, making the door swing in or out.



DESCRIPTION	FINISH	UNIT OF SALE	CODE
Corner transom connector	Satin stainless steel	Each	<b>KGT6oSS</b>

## Double Over Panel Connector With Stopper

Double Over Panel Connector With Stopper - Satin Stainless. With two reversible stop inserts for single action to make door swing in or out.



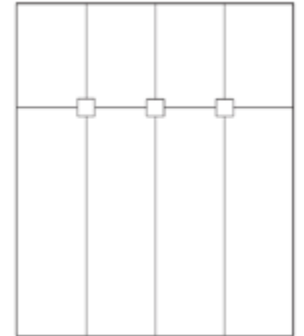
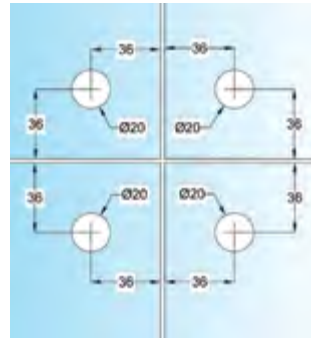
DESCRIPTION	FINISH	UNIT OF SALE	CODE
Double overpanel connector with stopper	Satin stainless steel	Each	<b>KGT7oSS</b>

# Patch Fittings & Frameless Hardware

CONNECTOR FITTING, SIDE CONNECTOR & GLASS CLAMP

## Connector Fitting

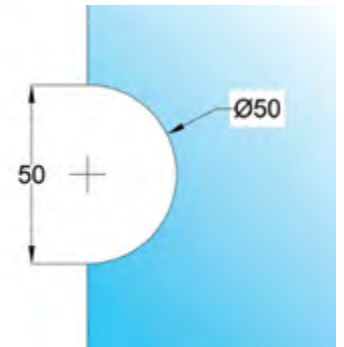
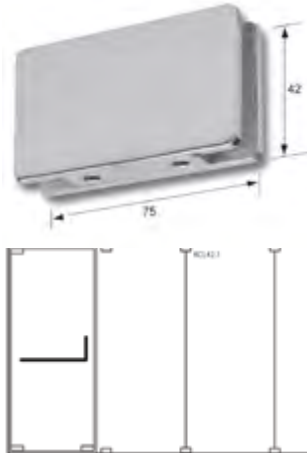
Connector Fitting- Satin Stainless



DESCRIPTION	FINISH	UNIT OF SALE	CODE
Connector fitting	Satin stainless steel	Each	<b>KGT8oSS</b>

## Side Connector

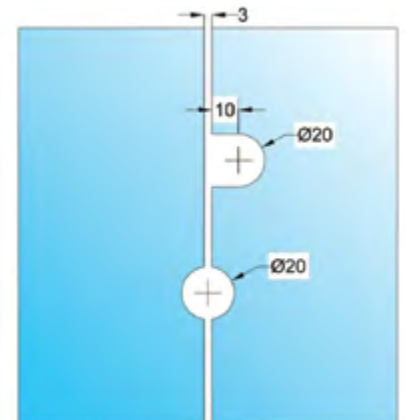
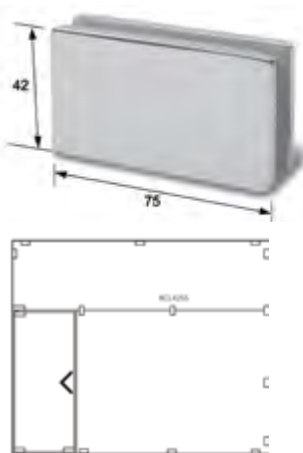
Side Connector for holding fixed panel.



DESCRIPTION	FINISH	UNIT OF SALE	CODE
Side connector	Satin stainless steel	Each	<b>KCL42.1SS</b>

## Glass Clamp

Glass Clamp for joining overpanel and side panel to reduce flexing when pressure is applied.



DESCRIPTION	FINISH	UNIT OF SALE	CODE
Glass clamp	Satin stainless steel	Each	<b>KCL42SS</b>

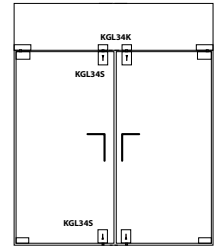
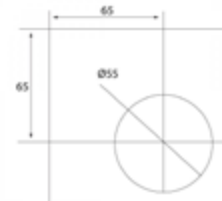
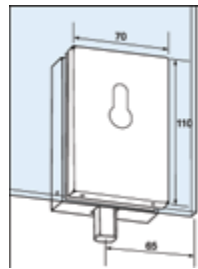
# Patch Fittings & Frameless Hardware

PATCH LOCK, TURN KNOB LOCK & STRIKE BOX

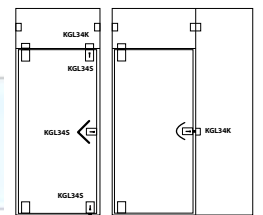
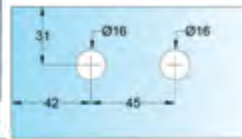
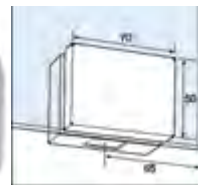
## Patch Lock & Strike Box

Patch Lock for vertical fixing at corner or horizontal fixing at centre. Prepared for Europrofile Cylinder No. K9125, K9125T, K9126, K9126T.

Strike Box for use with KGL34SS Patch Lock in overpanel or side-panel



KGL34SSS



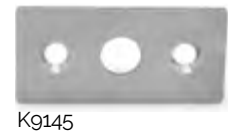
KGL34KSS

DESCRIPTION	FINISH	UNIT OF SALE	CODE
Patch lock	Satin stainless	Each	<b>KGL34SSS</b>
Strike box	Satin stainless	Each	<b>KGL34KSS</b>

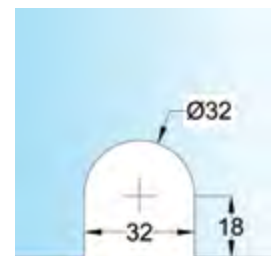
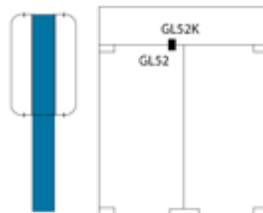
## Turn Knob Lock & Strike Box

Turn Knob Lock No need for a key, simply lock with thumb from inside. Suitable for 10-12mm glass.

Strike box for use with the KGL52 Lock. Receiver Mounted on the fixed panel.



K9145



KGL52KSS Glass Cutout

DESCRIPTION	FINISH	UNIT OF SALE	CODE
Turn knob lock	Satin stainless	Each	<b>KGL52SS</b>
Strike box	Satin stainless	Each	<b>KGL52KSS</b>
Wall receiver for KGL52	Satin stainless	Each	<b>K9145</b>



# Patch Fittings & Frameless Hardware

CENTRE LOCKS & STRIKE BOXES

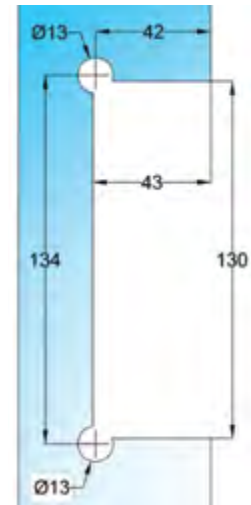
## Centre Lock & Strike Box

Centre lock & strike box. For the correct euro cylinder please see page 65.



KGL50KSS

KGL50SCLSS



DESCRIPTION	FINISH	UNIT OF SALE	CODE
Centre lock	Satin stainless steel	Each	<b>KGL50SCLSS</b>
Strike box	Satin stainless steel	Each	<b>KGL50KSS</b>

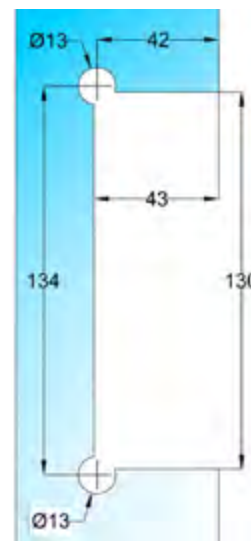
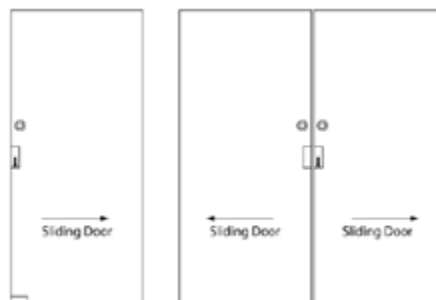
## Centre Lock & Strike Box for Sliding Doors

Hook type lock and receiver for use with sliding doors. For the correct euro cylinder please see page 65.



KGL53KSS

KGL53SS



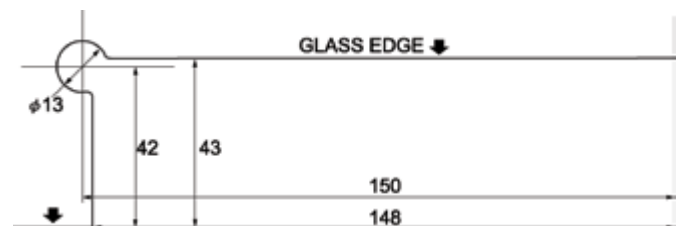
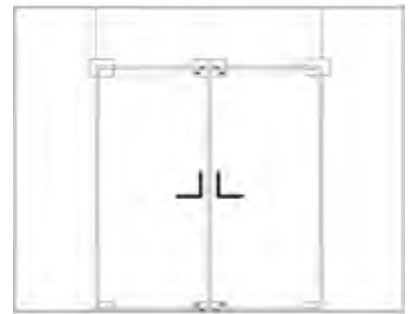
DESCRIPTION	FINISH	UNIT OF SALE	CODE
Centre lock	Satin stainless steel	Each	<b>KGL53SS</b>
Strike box	Satin stainless steel	Each	<b>KGL53KSS</b>

# Patch Fittings & Frameless Hardware

CORNER LOCK & OVERPANEL STRIKE BOX

## Corner Lock

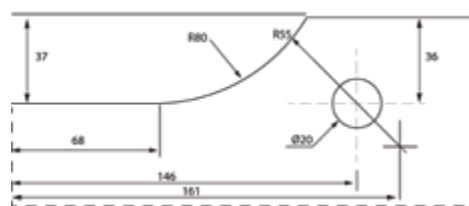
The most popular patch door lock. This can be used on the left or right side. For the correct euro cylinder please see page 65.



DESCRIPTION	FINISH	UNIT OF SALE	CODE
Corner lock	Satin stainless steel	Each	<b>KGL50SSS</b>

## Overpanel Strike Box

Overpanel Strike box Prepared M8 tapped hole at side for K9130 threaded rod or K9140 Aluminium fixing plate. For use with corner lock KGL50SSS.



K9130

K9140AL



DESCRIPTION	FINISH	UNIT OF SALE	CODE
Overpanel strike box	Satin stainless steel	Each	<b>KGT30KSS</b>
Fixing screw for top pivot to wall	Brass wall plug	Each	<b>K9130</b>
Overpanel fitting fixing	Aluminium	Each	<b>K9140AL</b>

# Patch Fittings & Frameless Hardware

DOUBLE SIDED NON DRILL PATCH LOCK & NON DRILL PATCH LOCK & STRIKE BOX

## Double Sided Non Drill Patch Lock & Strike Box

Double Sided Non Drill Patch Lock & Strike Box. Lockable from both sides. No need for glass notching, drilling or cutting. Key or Thumbturn Cylinder is optional. Suitable For 10 or 12mm thick glass. Lock receiver must be purchased separately. A cylinder type for each side of the glass must be selected.



K9125H.PC



K9125HT.PC



DESCRIPTION	FINISH	UNIT OF SALE	CODE
Double sided non drill patch lock	Satin stainless steel	Each	<b>KGL242SS</b>
Double sided non drill strike box	Satin stainless steel	Each	<b>KGL242KSS</b>
Half europrofile cylinder	Polished chrome	Each	<b>K9125H.PC</b>
Half europrofile cylinder with thumb turn	Polished chrome	Each	<b>K9125HT.PC</b>

## Non Drill Patch Lock & Strike Box

Non Drill Patch Lock & Strike Box - Satin Stainless. No need to cut or notch glass. Can be fitted anywhere on the glass door and fixed panel edge. Locks from only one side. Can easily be reversed by loosening some screws. Suitable for 10 or 12mm thick glass.



K9125H.PC

K9125HT.PC



DESCRIPTION	FINISH	UNIT OF SALE	CODE
Non drill strike box	Satin stainless steel	Each	<b>KGL24KSS</b>
Non drill patch lock	Satin stainless steel	Each	<b>KGL24SS</b>
Half europrofile cylinder	Polished chrome	Each	<b>K9125H.PC</b>
Half europrofile cylinder with thumb turn	Polished chrome	Each	<b>K9125HT.PC</b>

# Patch Fittings & Frameless Hardware

KEEPER CUP & FLOOR SOCKET WITH PLATE/SPRING & DUST COVER

## Keeper Cup

Keeper cup.



DESCRIPTION	FINISH	UNIT OF SALE	CODE
Keeper cup	Satin stainless steel	Each	<b>Kg137S</b>

## Floor Socket With Spring & Dust Cover

Floor Socket With Spring & Dust Cover.



DESCRIPTION	FINISH	UNIT OF SALE	CODE
Floor socket with spring & dust cover	Satin stainless steel	Each	<b>Kg139</b>

## Floor Socket With plate/Spring & Dust Cover

Floor socket with plate/spring and dust cover.



DESCRIPTION	FINISH	UNIT OF SALE	CODE
Floor socket with plate/spring & dust cover	Satin stainless steel	Each	<b>Kg139P</b>

# Patch Fittings & Frameless Hardware

DOOR STOPPERS & FIXING SCREW

## Door Stop Chrome

Door stop chrome.



DESCRIPTION	FINISH	UNIT OF SALE	CODE
Door stop chrome	Chrome	Each	<b>Kg128</b>

## Door Stopper

Door Stopper 30mm diameter x 40mm high brushed stainless.



DESCRIPTION	FINISH	UNIT OF SALE	CODE
Door stopper	Stainless Steel	Each	<b>KDS01</b>

## Fixing Screw For Top Pivot To Wall

Fixing Screw For Top Pivot To Wall threaded rod M8 with brass wall plug.



DESCRIPTION	UNIT OF SALE	CODE
Fixing screw for top pivot to wall	Each	<b>Kg130</b>

# Patch Fittings & Frameless Hardware

PIVOT WITH THREADED ROD & MOUNTING PLATE

## Pivot With Threaded Rod

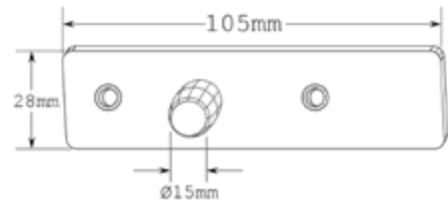
Pivot with threaded rod and solid brass wall plug.



DESCRIPTION	UNIT OF SALE	CODE
Pivot with threaded rod	Each	<b>K9129</b>

## Top Pivot

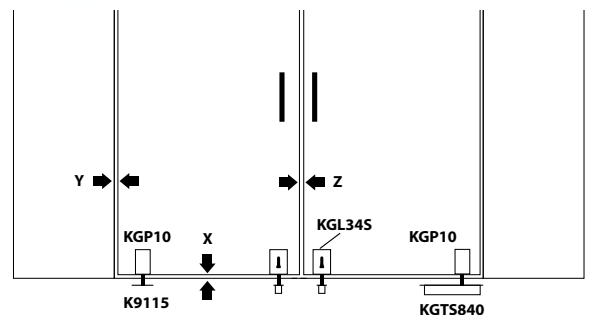
Top Pivot to be used in conjunction with the top patch fitting when the door is built into a frame



DESCRIPTION	FINISH	UNIT OF SALE	CODE
Top pivot	Satin stainless	Each	<b>K9124</b>
Top Pivot- STD	Satin stainless	Each	<b>K9124-STD</b>

## Floor Pivot

Floor Pivot Bearing to be used with the concealed floor springs. Max door weight 100kg.  
Made from stainless steel.



DESCRIPTION	FINISH	UNIT OF SALE	CODE
Floor pivot	Satin stainless	Each	<b>K9115</b>

# Patch Fittings & Frameless Hardware

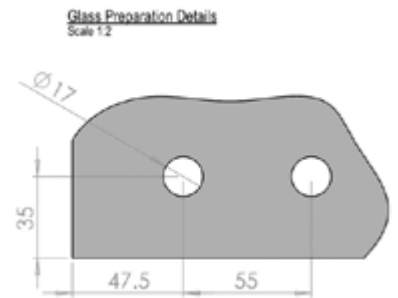
OFFSET TOP & BOTTOM PIVOTS

## Offset Bottom Pivots - Left & Right

Offset Bottom Pivots to suit 10-12mm glass.  
Used on the bottom left/right hand side of the door as the door opens inwards  
Suitable for use with a standard floor spring or floor pivot  
Suitable for use with a door frame 44mm deep  
Maximum Door Width: 1000mm  
Maximum Door Weight: 100kg



Left



Right

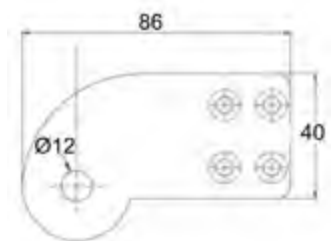
DESCRIPTION	FINISH	UNIT OF SALE	GLASS THICKNESS	CODE
Offset bottom pivot-left	Satin stainless	Each	10-12mm	<b>G.OFS.06.SS</b>
Offset bottom pivot-right	Satin stainless	Each	10-12mm	<b>G.OFS.07.SS</b>

## Offset Top Pivots For Use With Left & Right Side Pivot Hinge

Offset Top Pivots For Use With Left & Right Side Pivot Hinge  
Used on the top left/right hand side of the door as the door opens inwards. Suitable for use with The offset top left/right pivot.  
Suitable for use with a door frame 44mm deep.  
Maximum Door Width: 1000mm  
Maximum Door Weight: 100kg



Left



Right

DESCRIPTION	FINISH	UNIT OF SALE	CODE
Offset top pivot for use with left side pivot hinge	Satin stainless	Each	<b>G.OFS.52.SS</b>
Offset top pivot for use with right side pivot hinge	Satin stainless	Each	<b>G.OFS.53.SS</b>

# Patch Fittings & Frameless Hardware

## OFFSET TOP PIVOTS

### Offset Top Pivots Pivots - Left & Right

Offset top pivots to suit 10-12mm glass.

Used on the top left/right hand side of the door as the door opens inwards. Suitable for use with The offset top left pivot/right pivot. Suitable for use with a door frame 44mm deep.

Maximum Door Width: 1000mm

Maximum Door Weight: 100kg



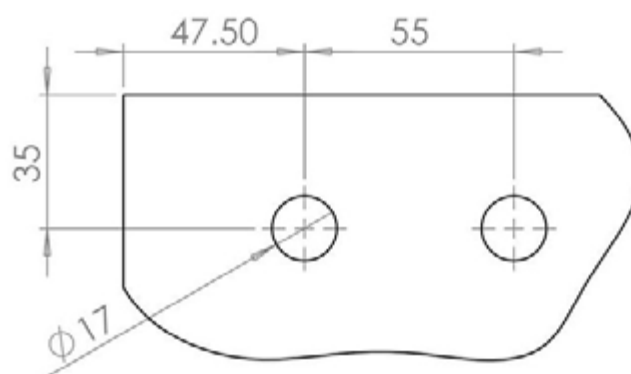
Left



Right

#### Glass Preparation Details

Scale: 1:2



DESCRIPTION	FINISH	UNIT OF SALE	GLASS THICKNESS	CODE
Offset top pivot-left	Satin stainless	Each	10-12mm	<b>G.OFS.18.SS</b>
Offset top pivot-right	Satin stainless	Each	10-12mm	<b>G.OFS.19.SS</b>



# Patch Fittings & Frameless Hardware



# Door Control



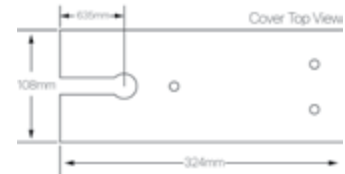
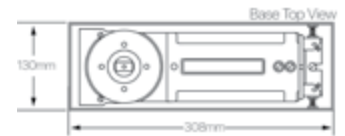
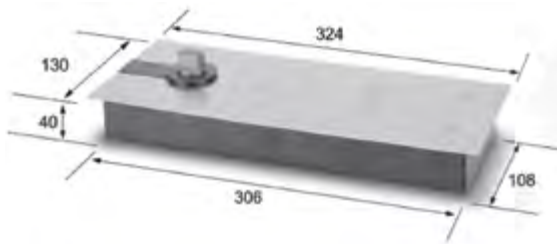
# Door Control

FLOOR SPRINGS

## Floor Spring 90 Degree Hold Open / Non Hold Open

Floor Spring - 90 Degree Hold Open & the Non Hold Open Version.

Floor Spring Max. Door Width : 1200mm, Max. Door Weight : 100kgs. Two closing speeds variable by valve adjustment



DESCRIPTION	FINISH	UNIT OF SALE	CODE
Floor spring 90 degree hold open	Satin stainless	Each	<b>KGTS840-90</b>
Floor spring non hold open	Satin stainless	Each	<b>KGTS840-NHO</b>

## Floor Spring with Interchangeable Spindles

Floor Spring with Interchangeable Spindles Max. Door Width : 1200mm, Max. Door Weight : 100kgs. Two closing speeds variable by valve adjustment provide full hydraulic control.



DESCRIPTION	FINISH	UNIT OF SALE	CODE
Floor spring with interchangeable spindles	Satin stainless	Each	<b>KGTS840IN</b>

# Door Control

FLOOR SPRING SPINDLES

## Interchangeable Floor Spring Spindles

Interchangeable spindles for door clearance heights from 8-37mm. For use with KGTS840IN.



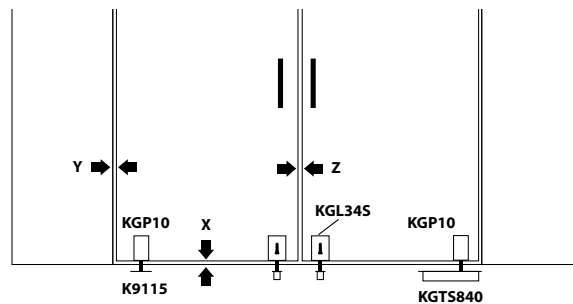
DESCRIPTION	DOOR CLEARANCE	UNIT OF SALE	CODE
Interchangeable floor spring spindles	8mm	Each	<b>KGTS840IN.-0</b>
Interchangeable floor spring spindles	12mm	Each	<b>KGTS840IN.0</b>
Interchangeable floor spring spindles	17mm	Each	<b>KGTS840IN.5</b>
Interchangeable floor spring spindles	22mm	Each	<b>KGTS840IN.10</b>
Interchangeable floor spring spindles	27mm	Each	<b>KGTS840IN.15</b>
Interchangeable floor spring spindles	32mm	Each	<b>KGTS840IN.20</b>
Interchangeable floor spring spindles	37mm	Each	<b>KGTS840IN.25</b>

# Door Control

FLOOR PIVOT & DOOR CLOSER

## Floor Pivot

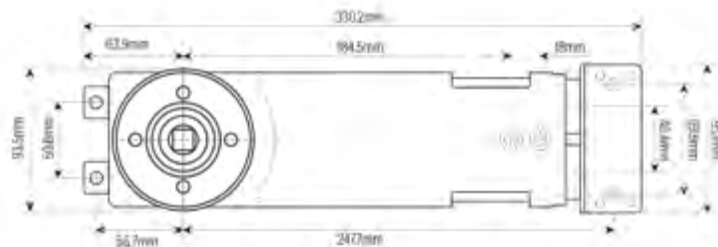
Floor Pivot Bearing to be used with the concealed floor springs. Max door weight 100kg.  
Made from stainless steel.



DESCRIPTION	FINISH	UNIT OF SALE	CODE
Floor pivot	Satin stainless	Each	<b>K9115</b>

## 90 Degree Hold Open / Non Overhead Door Closer -14.8 Spindle

90° Hold open or Non Hold Open with a medium 14.8 Spindle.  
Easy installation and adjustment.  
Closing Ranges. Two closing speeds variable by valve adjustment provide full hydraulic control.  
Valve 1:130 degrees - 20 degrees closing speed.  
Valve 2: 20 degrees - 0 degrees latching range.  
Specifications: Max. Door Weight: 100kg.  
Max. Door Width: 1200mm  
Strength: EN3



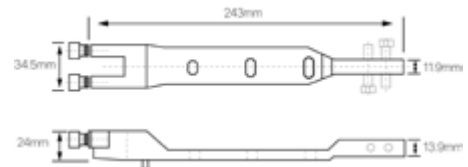
DESCRIPTION	FUNCTION	UNIT OF SALE	CODE
Overhead door closer	Hold open	Each	<b>KGTS850-90</b>
Overhead door closer	Non hold open	Each	<b>KGTS850-NHO</b>

# Door Control

LOAD ARMS & DOOR CLOSER

## Load Arm Type A

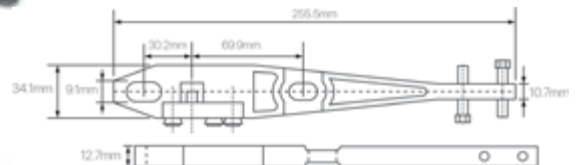
Type A end load arm assembly, For top rail with 1" deep recess.



DESCRIPTION	TYPE	UNIT OF SALE	CODE
Load arm	Type A	Each	KGTS850A

## Load Arm Type S & U

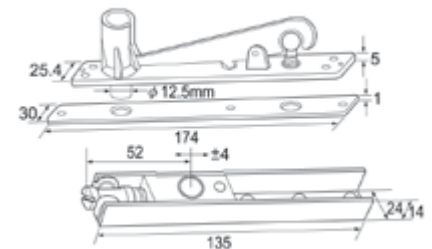
Type "S" Side load arm assembly for top rail with 12.5mm recess. Top U Arm Channel for Type S Side load arm fix in the upper door rail or timber door on top minimum 17mm Channel depth and 35mm width.



DESCRIPTION	TYPE	UNIT OF SALE	CODE
Load arm	Type S	Each	KGTS850S
Load arm	Type U	Each	KGTS850U

## Adjustable Top Pivot Door Rail Kit

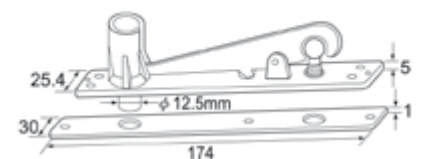
Screw down 12.5mm top pivot bracket for installation in frame header and adjustable bracket for use in the door rail.



DESCRIPTION	UNIT OF SALE	CODE
Adjustable Top Pivot Door Rail Kit with 12.5mm Pin	Each	Kg116/7

## Replacement Top Pivot

Screw down 12.5mm top pivot bracket for installation in frame header and for use with Kg117 in door rails.



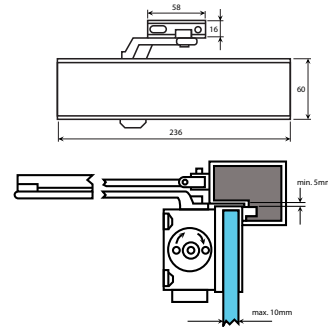
DESCRIPTION	UNIT OF SALE	CODE
Door rail adjustable top centre	Each	Kg116

# Door Control

COMPLETE OVERHEAD DOOR CLOSER & FIXING PLATES

## Complete Overhead Door Closer

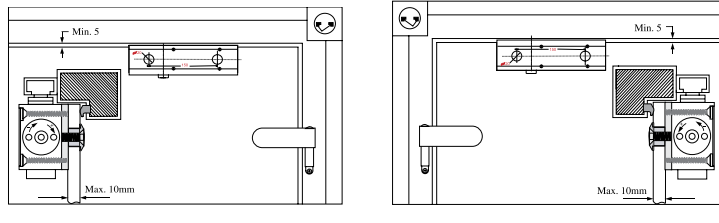
Suitable for left or right hand doors. Comes standard with the elbow type arm but an alternative KODCSLC-01 sliding arm may be purchased separately.



DESCRIPTION	TYPE	UNIT OF SALE	CODE
Complete overhead door closer	Left/right hand	Each	<b>KODC730</b>

## 10mm Drilled Fixing Plate For Overhead Closer

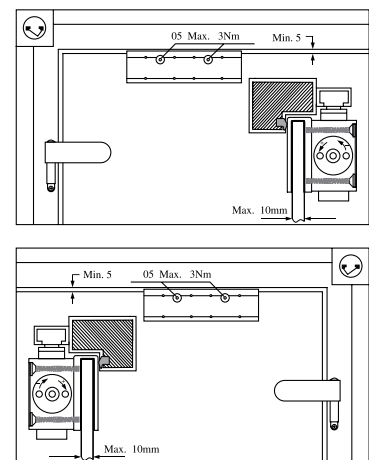
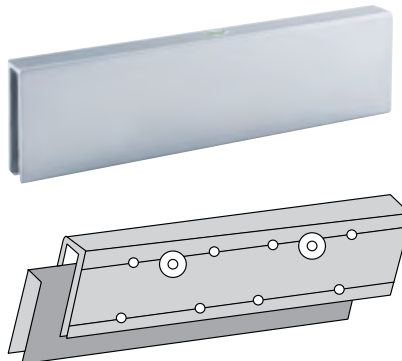
10mm Drilled Fixing Plate For KODC730 Overhead Closer. Two 20mm diameter holes must be drilled in the glass for fixing.



DESCRIPTION	TYPE	UNIT OF SALE	CODE
Drilled fixing plate for overhead closer	Mounts KODC730 to glass	Each	<b>KODCFP-01</b>

## 10mm Glass Non Drill Fixing Plate For Overhead Closer

Suitable for use with the KODC730 overhead closer. For use with 10mm thick glass. Non drill solution.



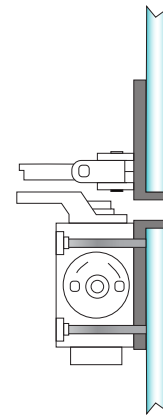
DESCRIPTION	TYPE	UNIT OF SALE	CODE
10mm non-drill fixing plate for overhead closer	Fixing plate	Each	<b>KODCFP-02</b>

# Door Control

FIXING PLATE, MOUNTING BRACKET & SLIDE ARM

## 10mm Glass Non Drill Fixing Plate For Over Panel

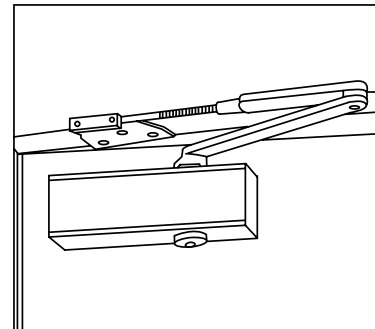
Suitable for use with the KODC730 overhead closer. For use with 10mm thick glass. No hole required in the glass. Used to mount the standard arm on a glass overpanel.



DESCRIPTION	FUNCTION	UNIT OF SALE	CODE
Non drill fixing plate for over panel	Mount arm on overpanel	Each	<b>KODCFP-04</b>

## Parallel Mounting Bracket For Overhead Door Closer

Suitable for use with the KODC730 overhead closer.



DESCRIPTION	FUNCTION	UNIT OF SALE	CODE
Parallel mounting bracket for overhead door closer	Mounts door closer to head	Each	<b>KODCPB-01</b>

## Slide Arm & Channel

Suitable for use with the KODC730 overhead closer. Available in hold open and non hold open options.



DESCRIPTION	TYPE	UNIT OF SALE	CODE
Slide arm & channel	Slide arm	Each	<b>KODCSLC-01</b>



# Door Handles



# Door Handles

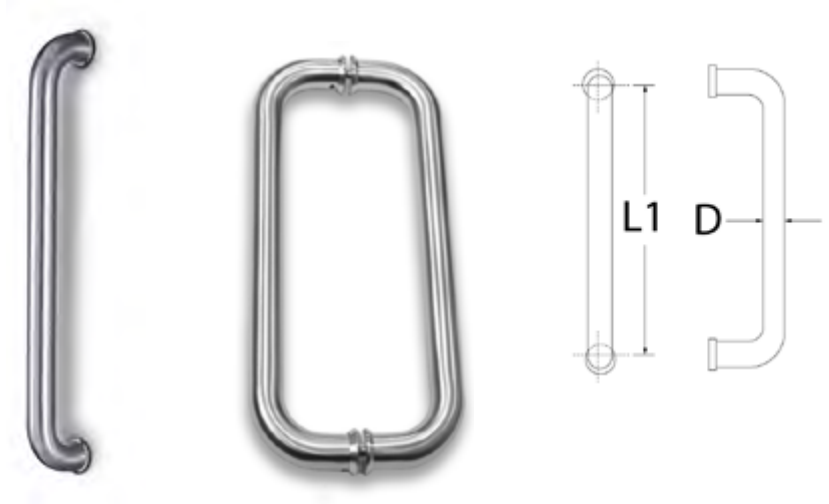
DOOR HANDLES

## D Shape Door Handle

Manufactured using heavy wall high grade SUS304 stainless steel tubing, precision bending, cutting & welding process and polished meticulously to meet & exceed industry standards.

Hole size: 14mm diameter.

Glass thickness: 10-12mm



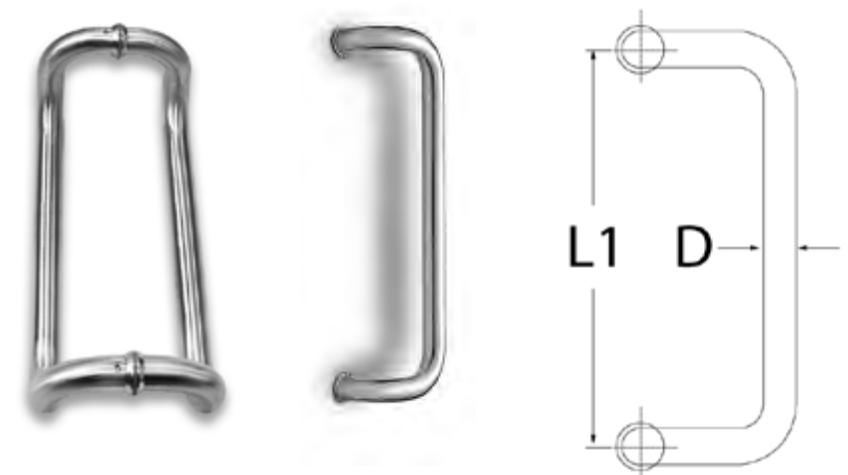
DESCRIPTION	FINISH	L1	D	UNIT OF SALE	CODE
D-shape door handle	Satin stainless	305mm	25mm	Each	<b>KH01ASS</b>
D-shape door handle	Satin stainless	425mm	25mm	Each	<b>KH01BSS</b>
D-shape door handle	Satin stainless	305mm	32mm	Each	<b>KH01CSS</b>
D-shape door handle	Satin stainless	350mm	32mm	Each	<b>KH01DSS</b>
D-shape door handle	Satin stainless	450mm	32mm	Each	<b>KH01ESS</b>
D-shape door handle	Satin stainless	600mm	32mm	Each	<b>KH01FSS</b>

## Offset Door Handle

Manufactured using heavy wall high grade SUS304 stainless steel tubing, precision bending, cutting & welding process and polished meticulously to meet & exceed industry standards.

Hole size: 14mm diameter.

Glass thickness: 10-12mm



DESCRIPTION	FINISH	L1	D	UNIT OF SALE	CODE
Offset door handle	Satin stainless	305mm	25mm	Each	<b>KH03ASS</b>
Offset door handle	Satin stainless	305mm	32mm	Each	<b>KH03BSS</b>
Offset door handle	Satin stainless	450mm	32mm	Each	<b>KH03DSS</b>
Offset door handle	Satin stainless	600mm	32mm	Each	<b>KH03ESS</b>

# Door Handles

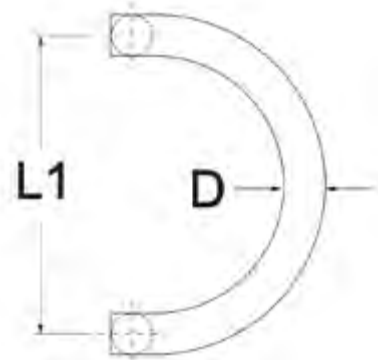
DOOR HANDLES

## Curved Door Handle

Manufactured using heavy wall high grade SUS304 stainless steel tubing, precision bending, cutting & welding process and polished meticulously to meet & exceed industry standards.

Hole size: 14mm diameter.

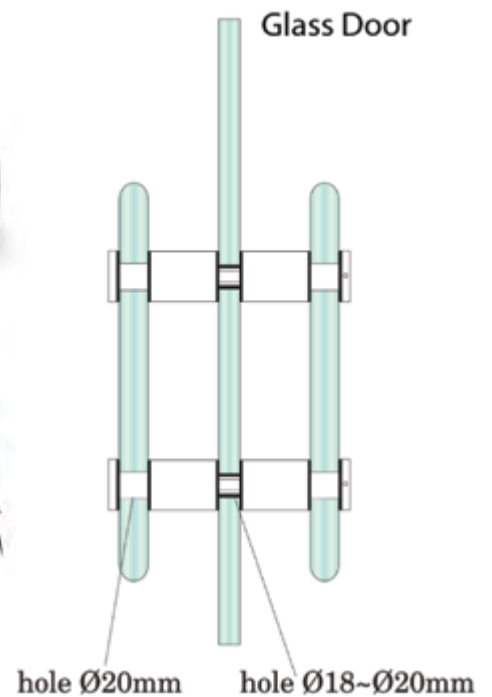
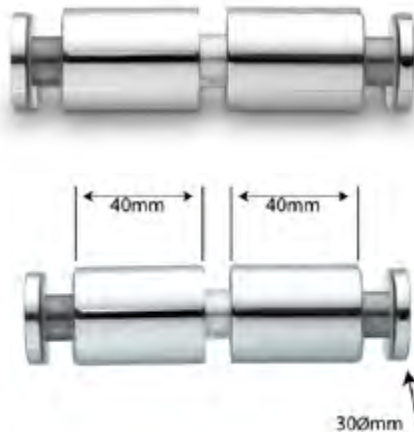
Glass thickness: 10-12mm



DESCRIPTION	FINISH	L1	D	UNIT OF SALE	CODE
Curved door handle	Satin stainless	350mm	34mm	Each	<b>KH18SS</b>

## Glass Handle Connectors

Fixing assemblies for custom made glass handles. Suitable for 10, 12, 15mm glass thickness



DESCRIPTION	FINISH	UNIT OF SALE	CODE
Glass handle connectors	Satin stainless	Each	<b>KH19SS</b>

# Door Handles

DOOR HANDLES

## Ladder Type Door Handle

Manufactured using heavy wall high grade SUS304 stainless steel tubing, precision bending, cutting & welding process and polished meticulously to meet & exceed industry standards.

Hole size: 14mm diameter.

Glass thickness: 10-12mm



DESCRIPTION	FINISH	L	L1	D	UNIT OF SALE	CODE
Ladder type door handle	Satin stainless	800mm	425mm	32mm	Each	<b>KH22ASS</b>
Ladder type door handle	Satin stainless	1000mm	600mm	32mm	Each	<b>KH22BSS</b>
Ladder type door handle	Satin stainless	1200mm	800mm	32mm	Each	<b>KH22CSS</b>
Ladder type door handle	Satin stainless	1500mm	1020mm	32mm	Each	<b>KH22DSS</b>

## 600mm x 32mm Diameter Door Handle

Manufactured using heavy wall high grade SUS304 stainless steel tubing, precision bending, cutting & welding process and polished meticulously to meet & exceed industry standards.

Hole size: 14mm diameter.

Glass thickness: 10-12mm



DESCRIPTION	FINISH	L1	D	UNIT OF SALE	CODE
600mm x 32mm door handle	Satin stainless	600mm	32mm	Each	<b>KH25SS</b>





**United Kingdom**

Telephone: 0800 975 3436

Email: [sales@glassparts.co.uk](mailto:sales@glassparts.co.uk)

[www.glassparts.co.uk](http://www.glassparts.co.uk)

**Republic of Ireland**

Telephone: +353 505 45125

Email: [sales@glassparts.ie](mailto:sales@glassparts.ie)

[www.glassparts.ie](http://www.glassparts.ie)

All images portrayed in this catalogue should not be reproduced without specific written permission from GlassParts UK Ltd. Images, designs and finishes are for illustrative purposes only and may differ when manufactured. We reserve the right to amend or withdraw any products within this catalogue without prior notice. Finishes shown in this catalogue should be used for guidance only. Copyright GlassParts UK Ltd © 2023