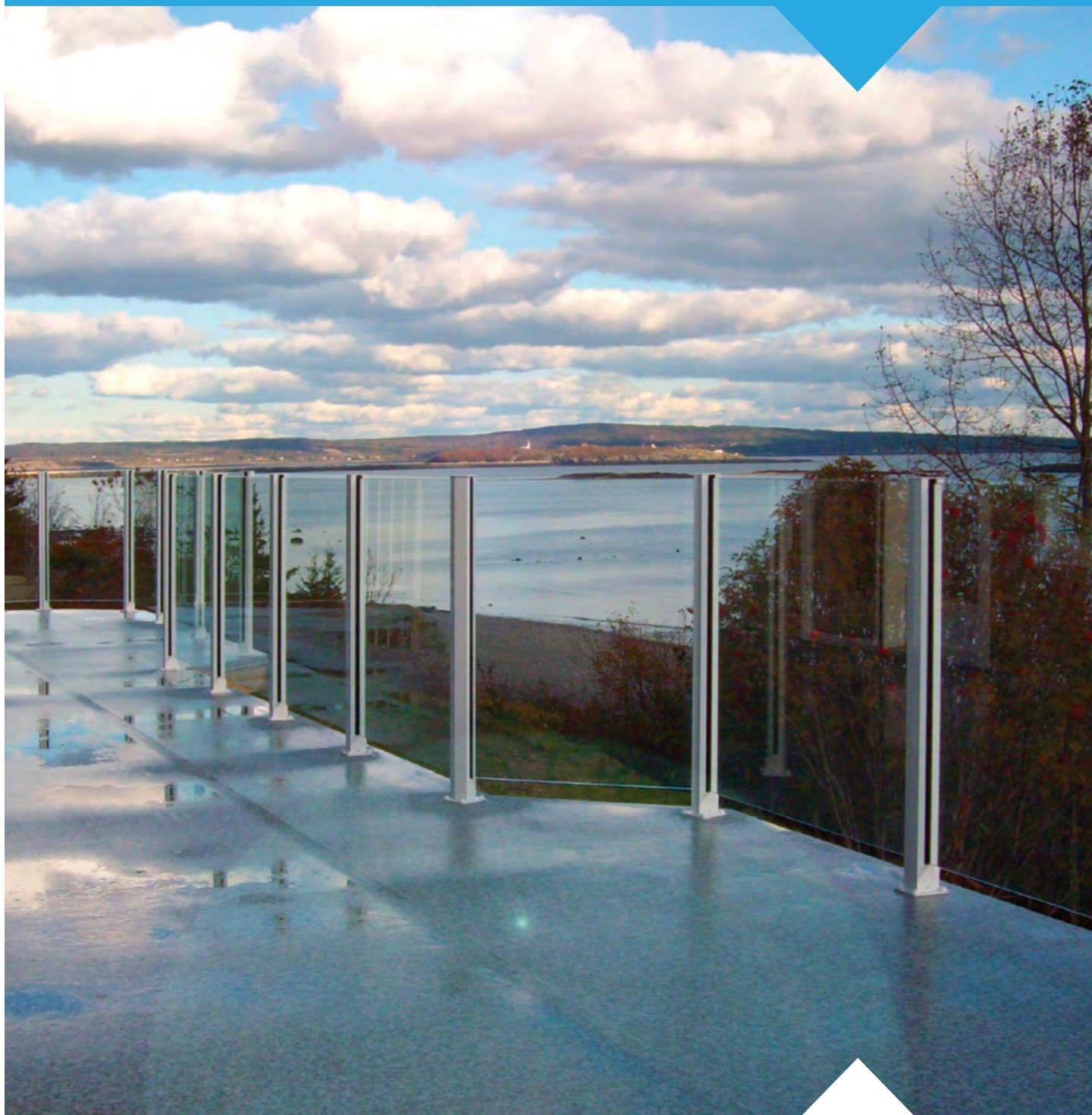


EaziRail Alu

Aluminium Balustrade & Windbreak System



EaziRail Alu Top Mounted Posts

Page 3-9

EaziRail Alu Side Mounted Posts

Page 10-17

EaziRail Alu Handrail & Components

Page 18-24

Why Choose EaziRail Alu?

- One of the most economical solutions on the market
- Designed for tough outdoor and indoor installations.
- Salt spray tested for coastal use.
- CE, TUV Rheinland approved
- Safety tested in line with BS6180:2011
- Extremely fast to install



EaziRail Alu Top Mounted Posts



EaziRail Alu Top Mounted Posts

TOP MOUNT POST SYSTEM



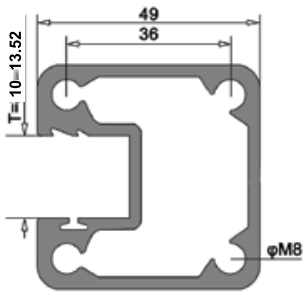
End Post



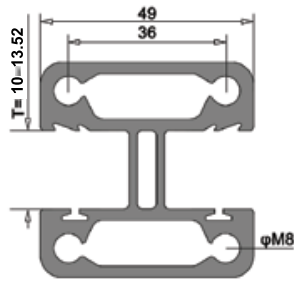
Centre Post



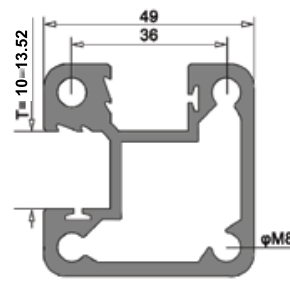
Corner Post



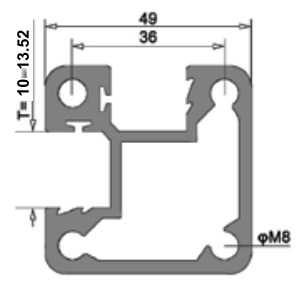
KEZALTM.END.AN



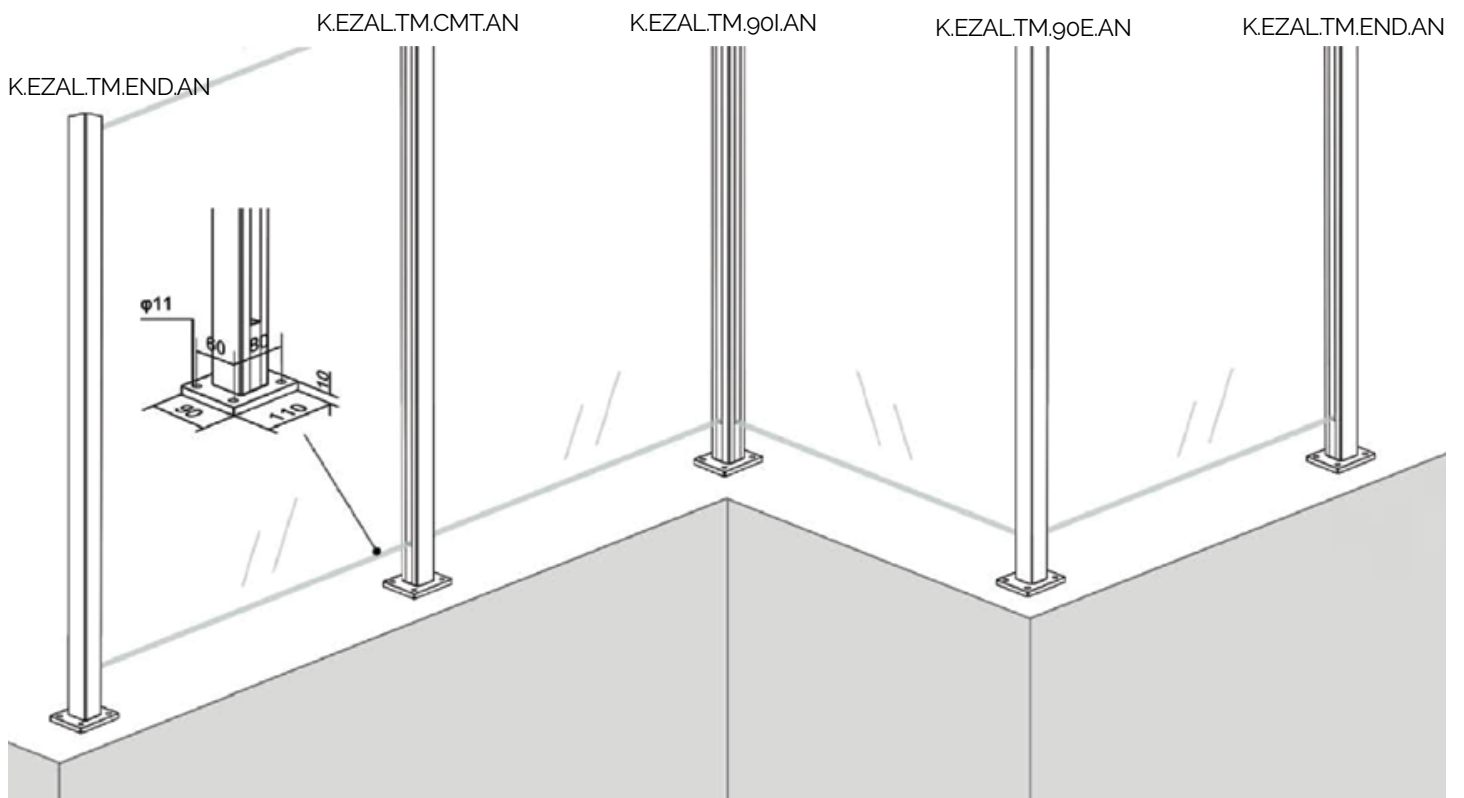
KEZALTM.CNT.AN



KEZALTM.90E.AN



KEZALTM.90I.AN



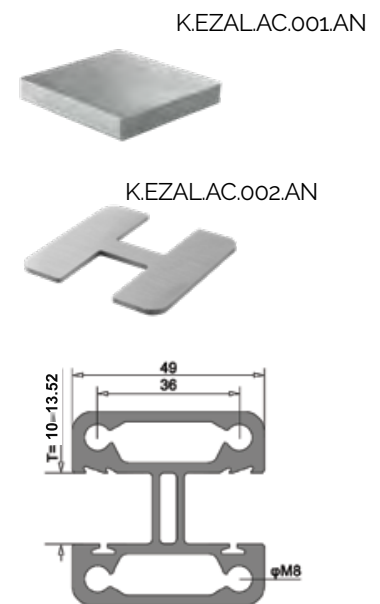
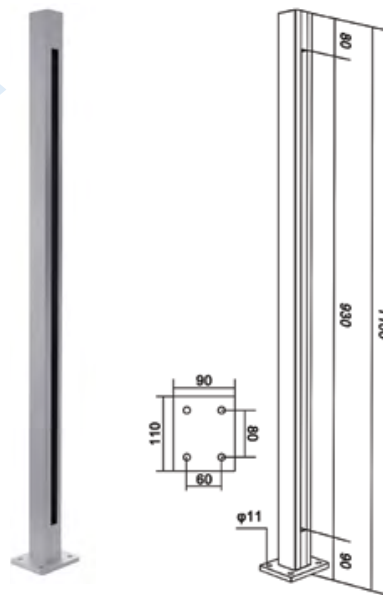
EaziRail Alu Top Mounted Posts

TOP MOUNT POST SYSTEM

Top Mounted EaziRail Centre Post- 1100mm

Pre fabricated balustrade post that is suitable for 10mm - 13.52mm thick glass. Extremely fast and simple to install. These posts can be finished on top in three different ways depending on your preference. A handrail can be easily installed, the post can have a flat cap with the glass below it or the glass can be higher than the post and a slotted cap can be installed.

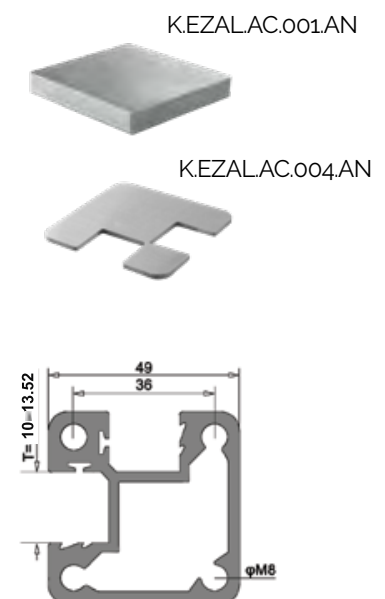
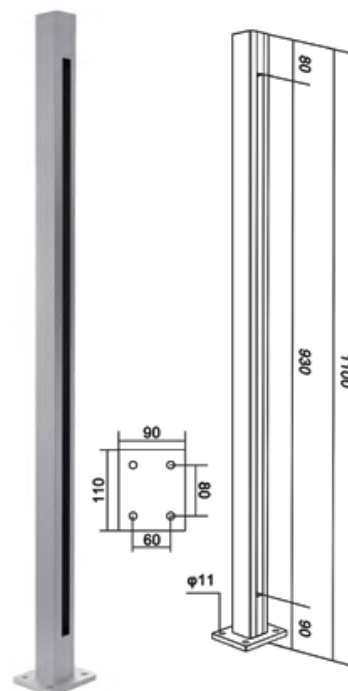
These post provide a really great windbreak as there are a lot less gaps than traditional stainless steel posts. Bespoke size posts can be manufactured to suit your requirements.



DESCRIPTION	FINISH	UNIT OF SALE	CODE
Top mounted EaziRail centre post - 1100mm	Anodised	Each	K.EZAL.TM.CNT.AN

Top Mounted EaziRail 90° Int Post - 1100mm

Pre fabricated balustrade post that is suitable for 10mm - 13.52mm thick glass. Suitable for installation on an internal corner as outlined on page 4. Extremely fast and simple to install. These posts can be finished on top in three different ways depending on your preference. A handrail can be easily installed, the post can have a flat cap with the glass below it or the glass can be higher than the post and a slotted cap can be installed. These post provide a really great windbreak as there are a lot less gaps than traditional stainless steel posts. Bespoke size posts can be manufactured to suit your requirements.



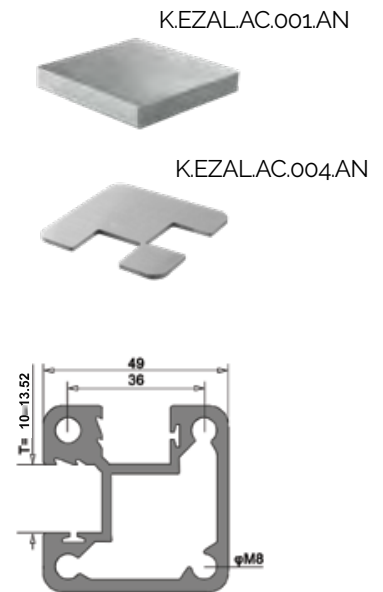
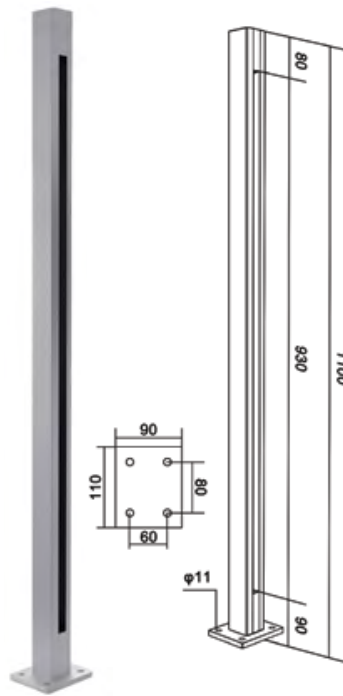
DESCRIPTION	FINISH	UNIT OF SALE	CODE
Top Mounted EaziRail 90 Deg Int Post - 1100mm	Anodised	Each	K.EZAL.TM.90I.AN

EaziRail Alu Top Mounted Posts

TOP MOUNT POST SYSTEM

Top Mounted EaziRail 90° Ext Post - 1100mm

Pre fabricated balustrade post that is suitable for 10mm - 13.52mm thick glass. Suitable for use on an external corner as outlined on page 4. Extremely fast and simple to install. These posts can be finished on top in three different ways depending on your preference. A handrail can be easily installed, the post can have a flat cap with the glass below it or the glass can be higher than the post and a slotted cap can be installed. These posts provide a really great windbreak as there are a lot less gaps than traditional stainless steel posts. Bespoke size posts can be manufactured to suit your requirements.

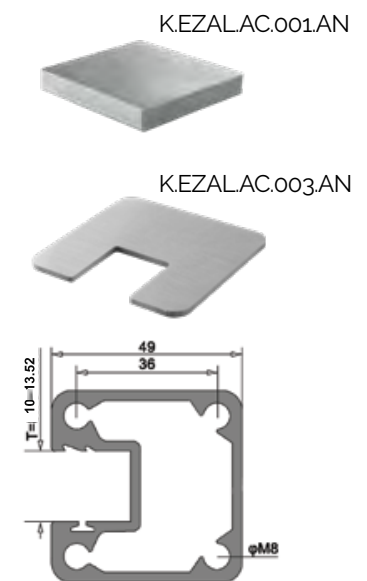
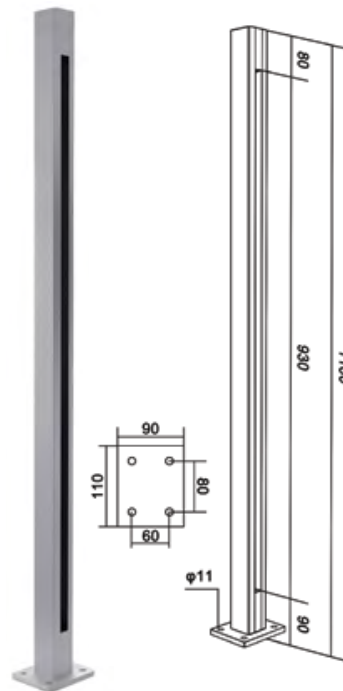


DESCRIPTION	FINISH	UNIT OF SALE	CODE
Top Mounted EaziRail 90 Deg Ext Post - 1100mm	Anodised	Each	KEZALTM.90E.AN

Top Mounted EaziRail End Post - 1100mm

Pre fabricated balustrade post that is suitable for 10mm - 13.52mm thick glass. Extremely fast and simple to install. These posts can be finished on top in three different ways depending on your preference. A handrail can be easily installed, the post can have a flat cap with the glass below it or the glass can be higher than the post and a slotted cap can be installed.

These posts provide a really great windbreak as there are a lot less gaps than traditional stainless steel posts. Bespoke size posts can be manufactured to suit your requirements.



DESCRIPTION	FINISH	UNIT OF SALE	CODE
Top Mounted EaziRail End Post - 1100mm	Anodised	Each	KEZALTM.END.AN

EaziRail Alu Top Mounted Posts

TOP MOUNT POST SYSTEM

EaziRail Gasket Pair

Different thickness glass gasket sets for each slot in the post. For example a 90 degree or centre posts will require two sets whereas an end post will only require one set. The set consists of one fixed gasket and one wedge gasket 1100mm long.



DESCRIPTION	LENGTH	GLASS THICKNESS	UNIT OF SALE	CODE
EaziRail gasket pair	1100mm	10-10.76mm	Pair	K.EZAL.EPDM.010.1100
EaziRail gasket pair	1100mm	11.52mm	Pair	K.EZAL.EPDM.115.1100
EaziRail gasket pair	1100mm	12-12.76mm	Pair	K.EZAL.EPDM.012.1100
EaziRail gasket pair	1100mm	13.52mm	Pair	K.EZAL.EPDM.013.1100

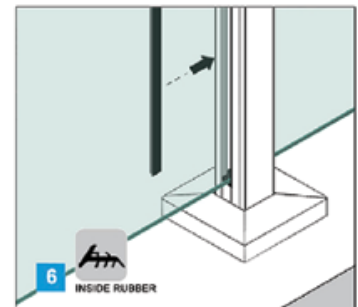
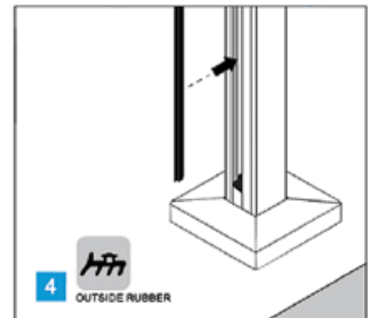
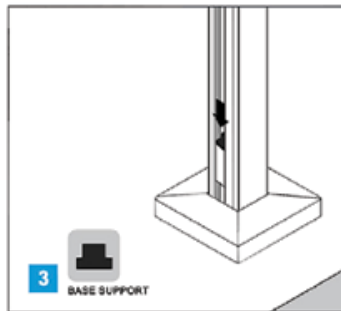
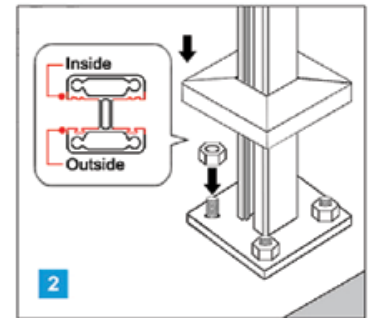
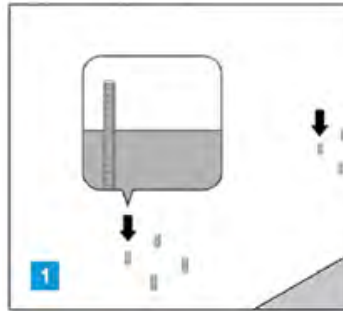


EaziRail Alu Top Mounted Posts

TOP MOUNT POST SYSTEM INSTALLATION INSTRUCTIONS

Installation Instructions

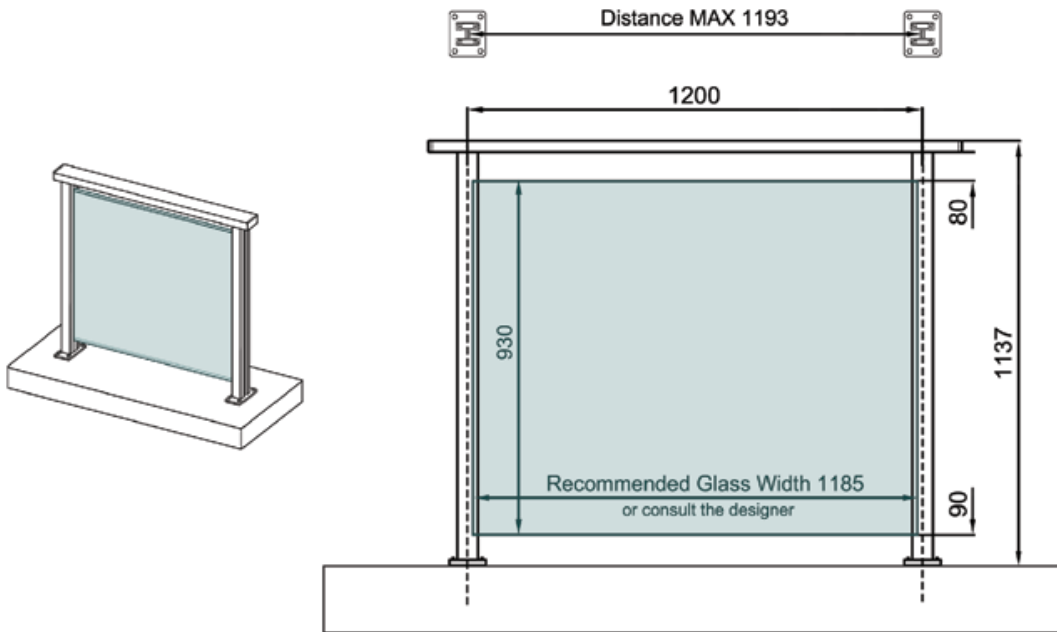
1. Mark and drill the substrate in the correct location and to match the required fixing.
2. Install the post with the inside facing inwards. Place the covercap over the fixings.
3. Ensure the glass base support is installed.
4. Install the outside fixed gasket that matches the desired glass thickness.
5. Carefully slot in the glass. Install the top support.
6. Install the matching wedge gasket to firmly secure the glass.



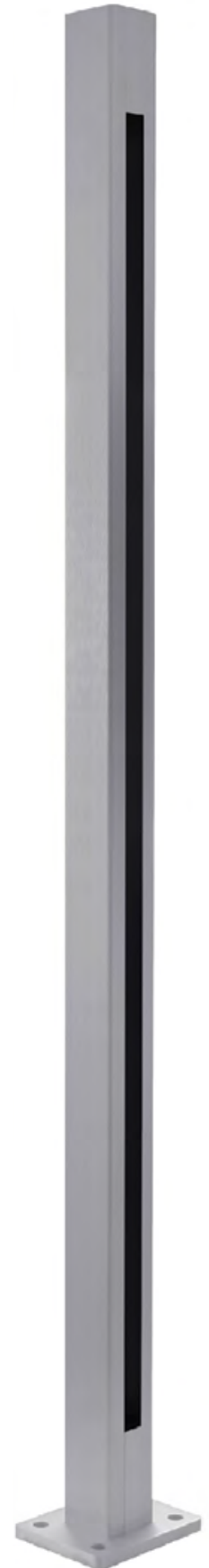
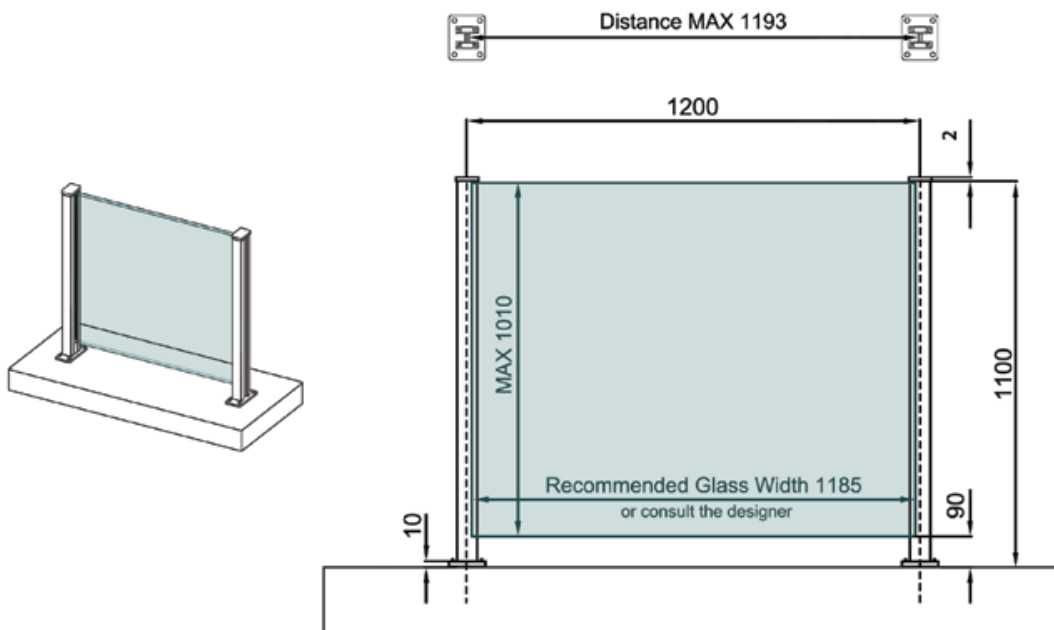
EaziRail Alu Top Mounted Posts

TOP MOUNT POST SYSTEM SPECIFICATION

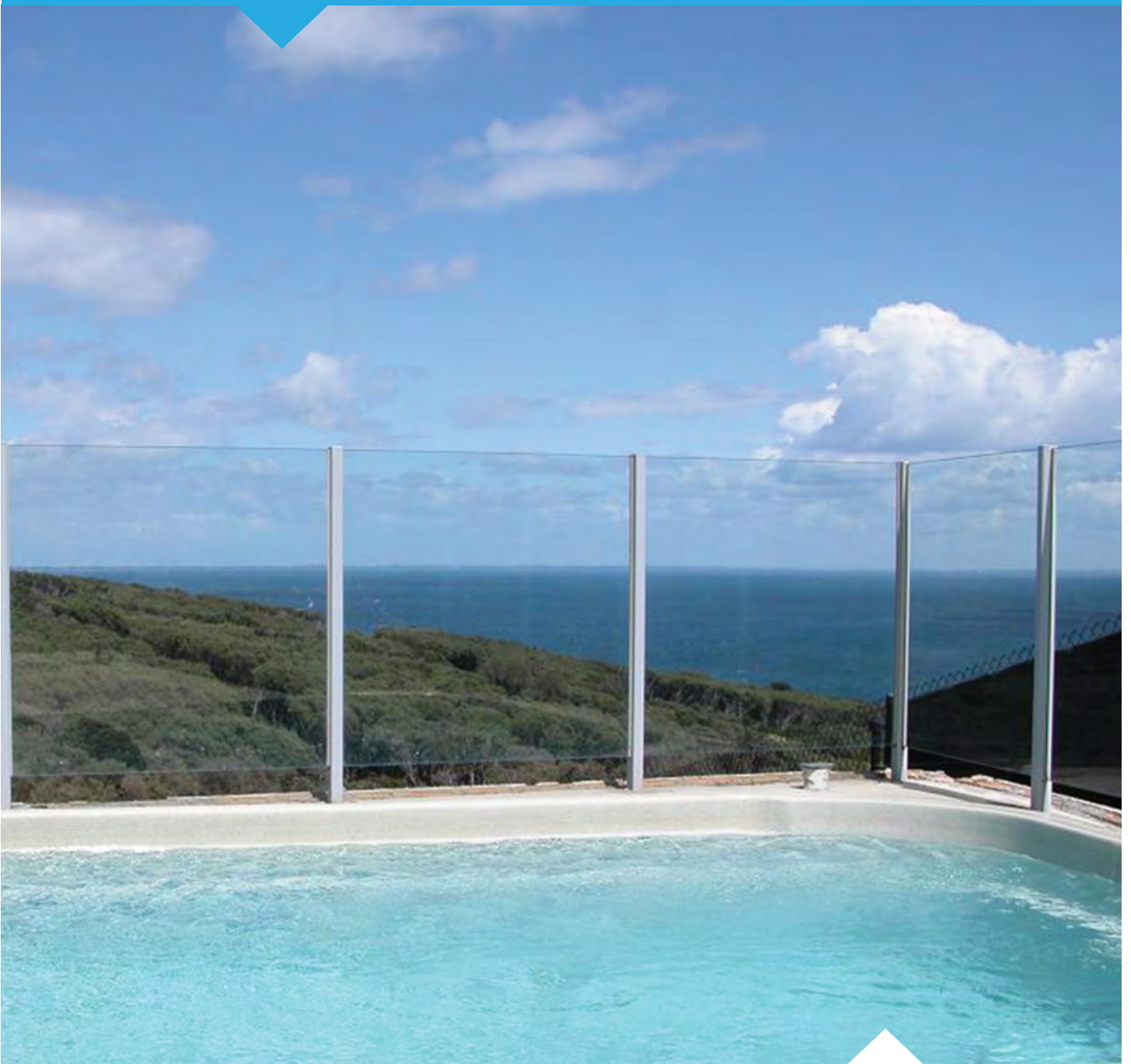
Top Mount- Handrail



Top Mount- Top Cap



Eazirail Alu Side Mounted Posts



EaziRail Alu Side Mounted Posts

SIDE MOUNT POST SYSTEM



End Post



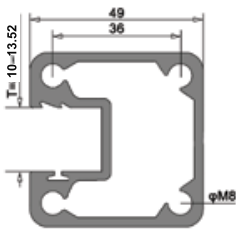
Centre Post



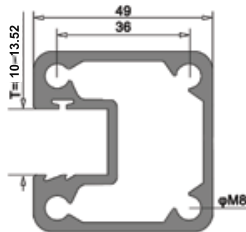
External Post



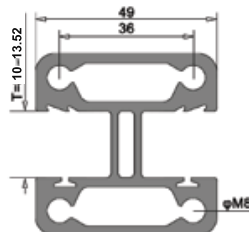
Internal Post



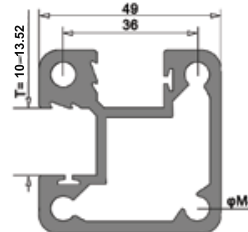
KEZALSM.ENDLAN



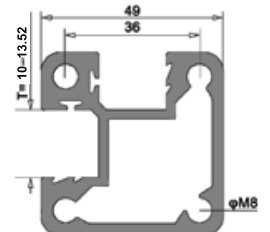
KEZALSM.ENDRAN



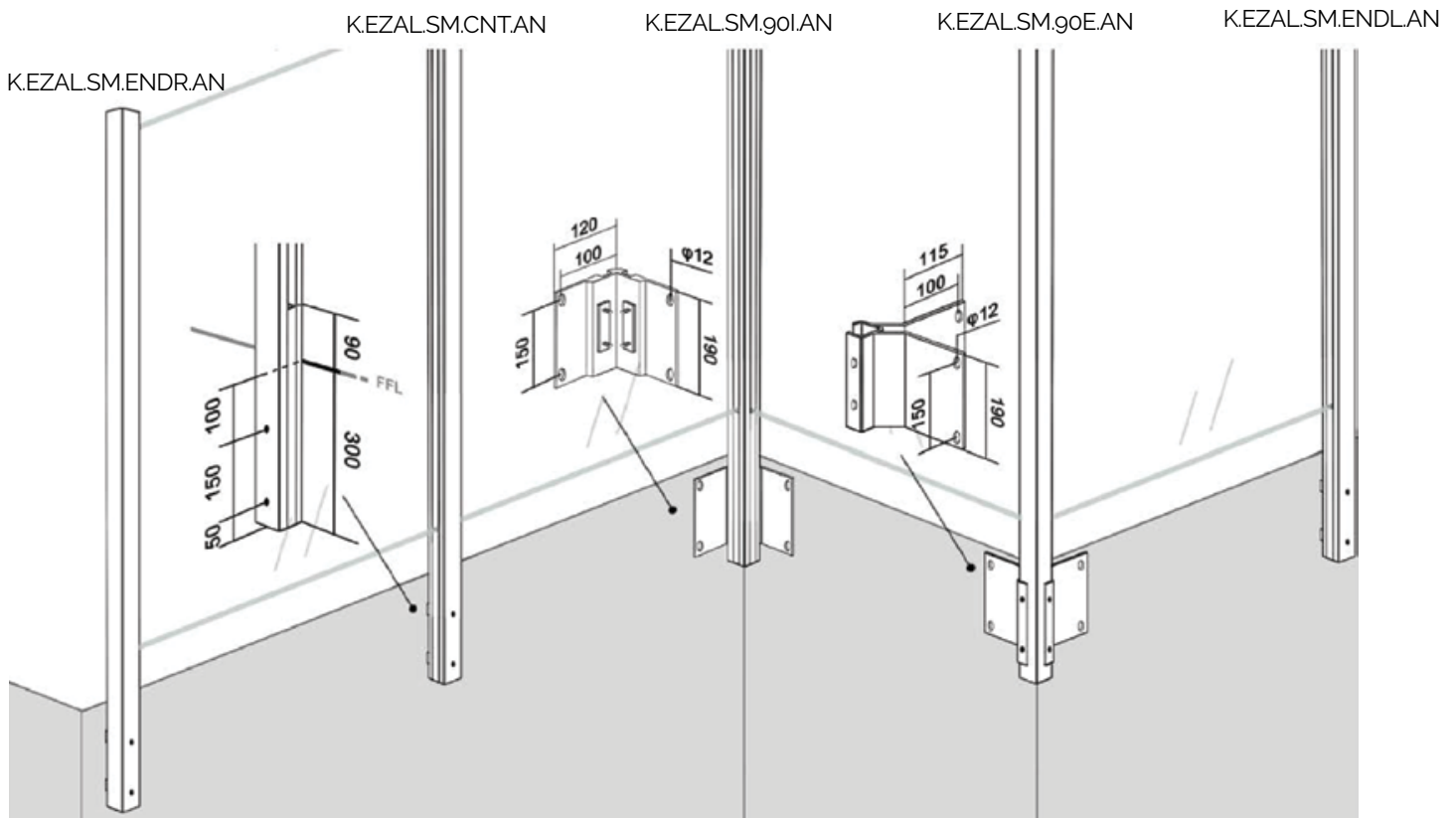
KEZALSM.CNT.AN



KEZALSM.g0E.AN



KEZALSM.g0I.AN

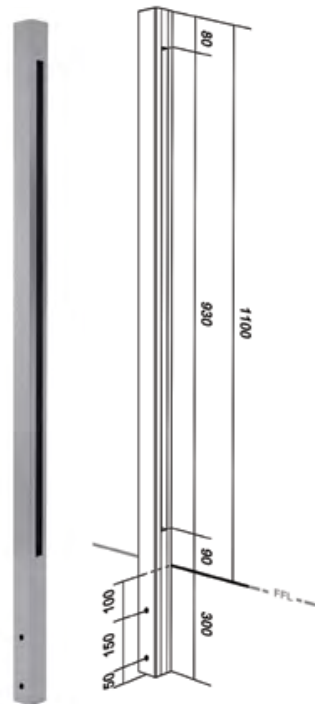


EaziRail Alu Side Mounted Posts

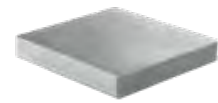
SIDE MOUNT POST SYSTEM

Side Mounted EaziRail Centre Post - 1100mm

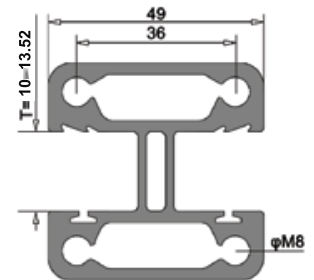
Pre fabricated side mounted balustrade post that is suitable for 10mm - 13.52mm thick glass. Extremely fast and simple to install. These posts can be finished on top in three different ways depending on your preference. A handrail can be easily installed, the post can have a flat cap with the glass below it or the glass can be higher than the post and a slotted cap can be installed. These posts provide a really great windbreak as there are a lot less gaps than traditional stainless steel posts. Bespoke size posts can be manufactured to suit your requirements.



K.EZALAC.001.AN



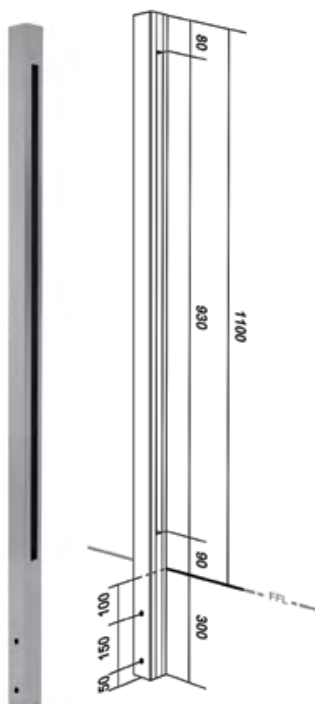
K.EZALAC.002.AN



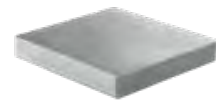
DESCRIPTION	FINISH	UNIT OF SALE	CODE
Side Mounted EaziRail Centre Post - 1100mm	Anodised	Each	K.EZALSM.CNT.AN

Side Mounted EaziRail 90° Int Post

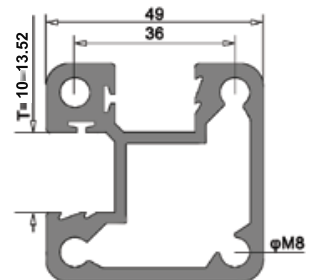
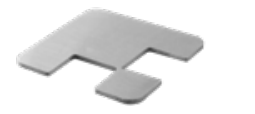
Pre fabricated side mounted balustrade post that is suitable for 10mm - 13.52mm thick glass. This post is for the installation on an internal corner as outlined on page 11. Extremely fast and simple to install. These posts can be finished on top in three different ways depending on your preference. A handrail can be easily installed, the post can have a flat cap with the glass below it or the glass can be higher than the post and a slotted cap can be installed. These posts provide a really great windbreak as there are a lot less gaps than traditional stainless steel posts. Bespoke size posts can be manufactured to suit your requirements.



K.EZALAC.001.AN



K.EZALAC.004.AN



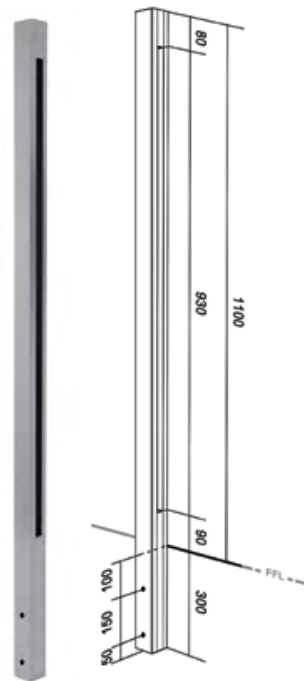
DESCRIPTION	FINISH	UNIT OF SALE	CODE
Side Mounted EaziRail 90 Deg Int Post - 1100mm	Anodised	Each	K.EZALSM.90I.AN

EaziRail Alu Side Mounted Posts

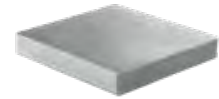
SIDE MOUNT POST SYSTEM

Side Mounted EaziRail 90 Deg Ext Post - 1100mm

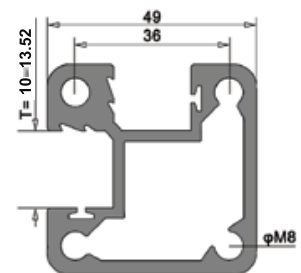
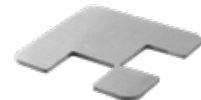
Pre fabricated side mounted balustrade post that is suitable for 10mm - 13.52mm thick glass. This post is for the installation on an external corner as outlined on page 11. Extremely fast and simple to install. These posts can be finished on top in three different ways depending on your preference. A handrail can be easily installed, the post can have a flat cap with the glass below it or the glass can be higher than the post and a slotted cap can be installed. These posts provide a really great windbreak as there are a lot less gaps than traditional stainless steel posts. Bespoke size posts can be manufactured to suit your requirements.



KEZALAC.001.AN



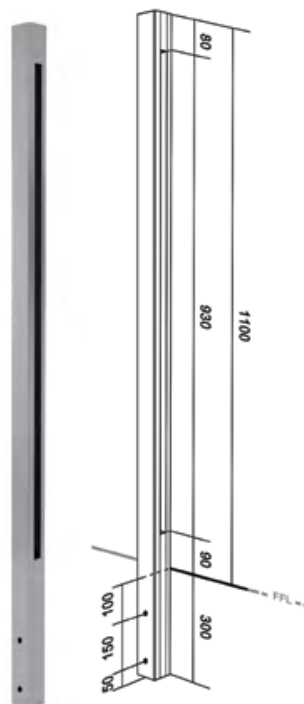
KEZALAC.004.AN



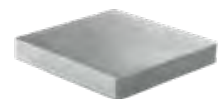
DESCRIPTION	FINISH	UNIT OF SALE	CODE
Side Mounted EaziRail 90 Deg Ext Post - 1100mm	Anodised	Each	K.EZALSM.90E.AN

Side Mounted EaziRail End Post Left - 1100mm

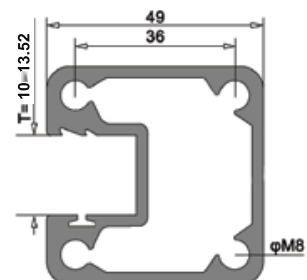
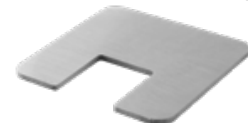
Pre fabricated side mounted balustrade post that is suitable for 10mm - 13.52mm thick glass. This post is suitable for the left hand side of an installation as looked at from inside the balcony. Extremely fast and simple to install. These posts can be finished on top in three different ways depending on your preference. A handrail can be easily installed, the post can have a flat cap with the glass below it or the glass can be higher than the post and a slotted cap can be installed. These posts provide a really great windbreak as there are a lot less gaps than traditional stainless steel posts. Bespoke size posts can be manufactured to suit your requirements.



KEZALAC.001.AN



KEZALAC.003.AN



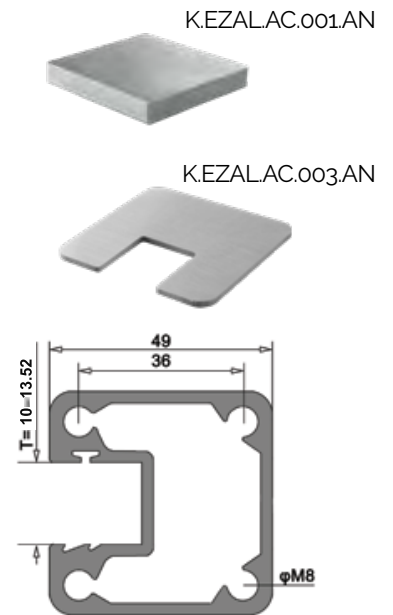
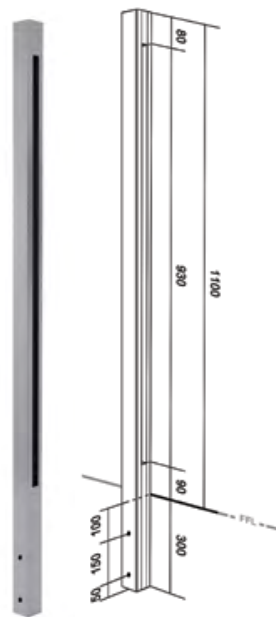
DESCRIPTION	FINISH	UNIT OF SALE	CODE
Side Mounted EaziRail End Post Left - 1100mm	Anodised	Each	K.EZALSM.ENDLAN

EaziRail Alu Side Mounted Posts

SIDE MOUNT POST SYSTEM

Side Mounted EaziRail End Post Right - 1100mm

Pre fabricated side mounted balustrade post that is suitable for 10mm - 13.52mm thick glass. This post is suitable for the right hand side of an installation as looked at from inside the balcony. Extremely fast and simple to install. These posts can be finished on top in three different ways depending on your preference. A handrail can be easily installed, the post can have a flat cap with the glass below it or the glass can be higher than the post and a slotted cap can be installed. These post provide a really great windbreak as there are a lot less gaps than traditional stainless steel posts. Bespoke size posts can be manufactured to suit your requirements.



DESCRIPTION	FINISH	UNIT OF SALE	CODE
Side Mounted EaziRail End Post Right - 1100mm	Anodised	Each	K.EZALSM.ENDR.AN

EaziRail Gasket Pair

Different thickness glass gasket sets for each slot in the post. For example a 90 degree or centre posts will require two sets whereas an end post will only require one set. The set consists of one fixed gasket and one wedge gasket 1100mm long.



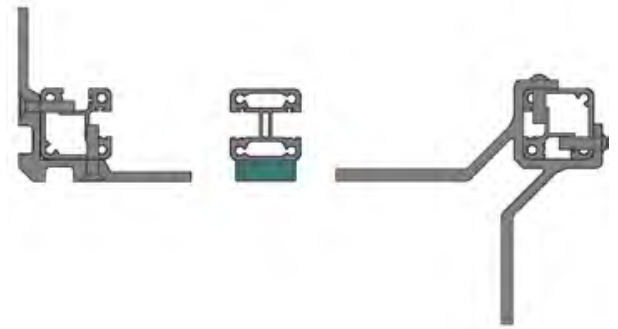
DESCRIPTION	LENGTH	GLASS THICKNESS	UNIT OF SALE	CODE
EaziRail gasket pair	1100mm	10-10.76mm	Pair	K.EZALEPDM.010.1100
EaziRail gasket pair	1100mm	11.52mm	Pair	K.EZALEPDM.115.1100
EaziRail gasket pair	1100mm	12-12.76mm	Pair	K.EZALEPDM.012.1100
EaziRail gasket pair	1100mm	13.52mm	Pair	K.EZALEPDM.013.1100

EaziRail Alu Side Mounted Posts

SIDE MOUNT POST SYSTEM

EaziRail Side-mount Wall Adapter

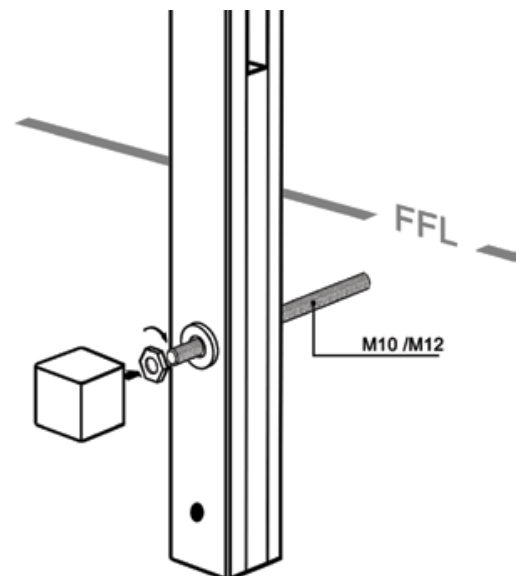
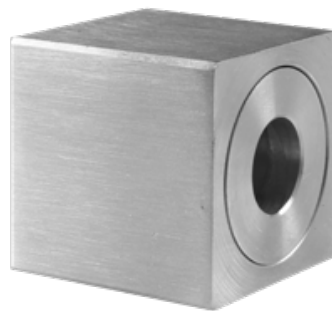
This wall adapter only needs to be used if you wish to stand the post off the substrate or if you are using either type side mounted corner post it must be used behind a centre or end post so that they align.



DESCRIPTION	FINISH	UNIT OF SALE	CODE
EaziRail sidemount wall adapter	Anodised	Each	K.EZAL.AC.005.AN

EaziRail Side-Mount Fixing Covercap

Optional covercap for side mounted post fixings.



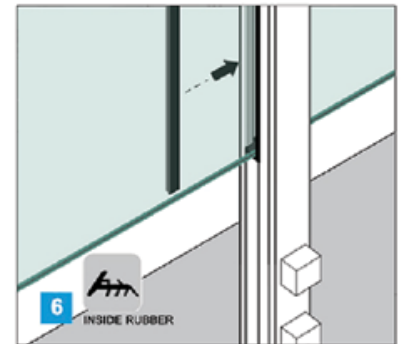
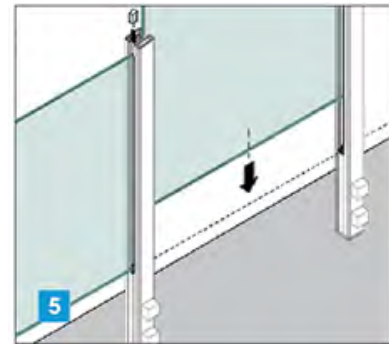
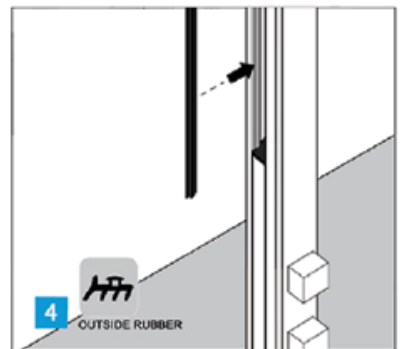
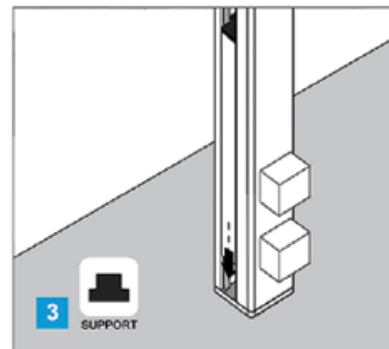
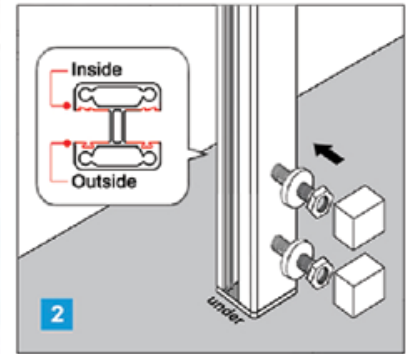
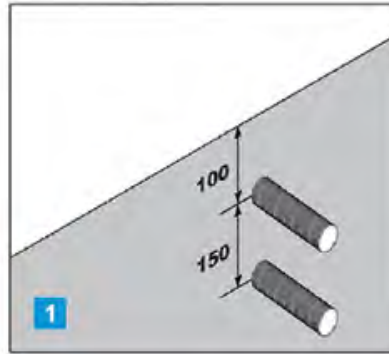
DESCRIPTION	FINISH	UNIT OF SALE	CODE
EaziRail sidemount fixing covercap	Anodised	Each	K.EZAL.AC.006.AN

EaziRail Alu Side Mounted Posts

SIDE MOUNT POST SYSTEM INSTALLATION INSTRUCTIONS

Installation Instructions

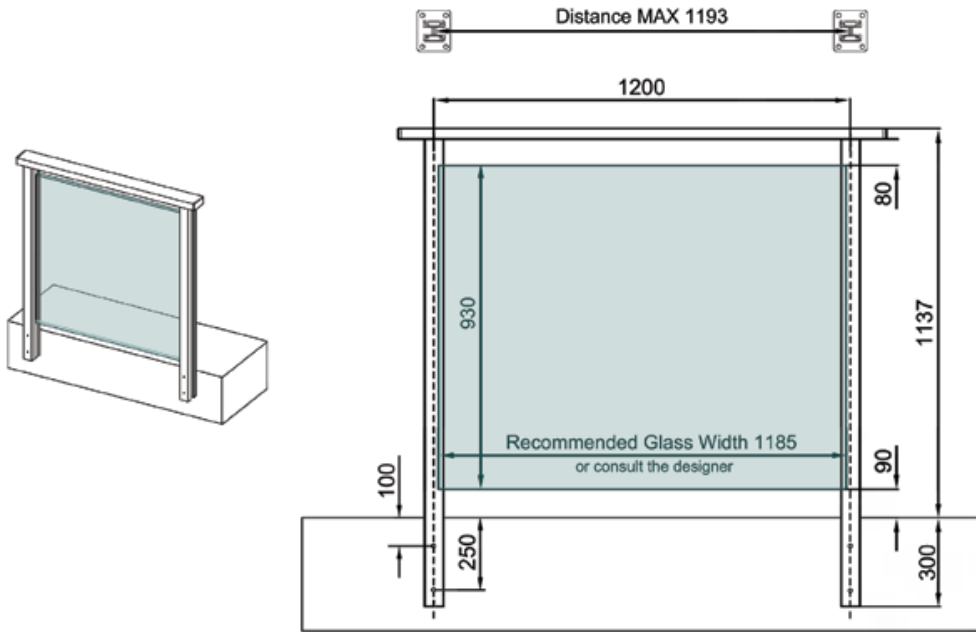
1. Mark and drill the substrate in the correct location and to match the required fixing.
2. Install the post with the inside facing inwards with the appropriate fixings. Place the optional covercap over the fixings.
3. Ensure the glass base support is installed.
4. Install the outside fixed gasket that matches the desired glass thickness.
5. Carefully slot in the glass. Install the top support.
6. Install the matching wedge gasket to firmly secure the glass.



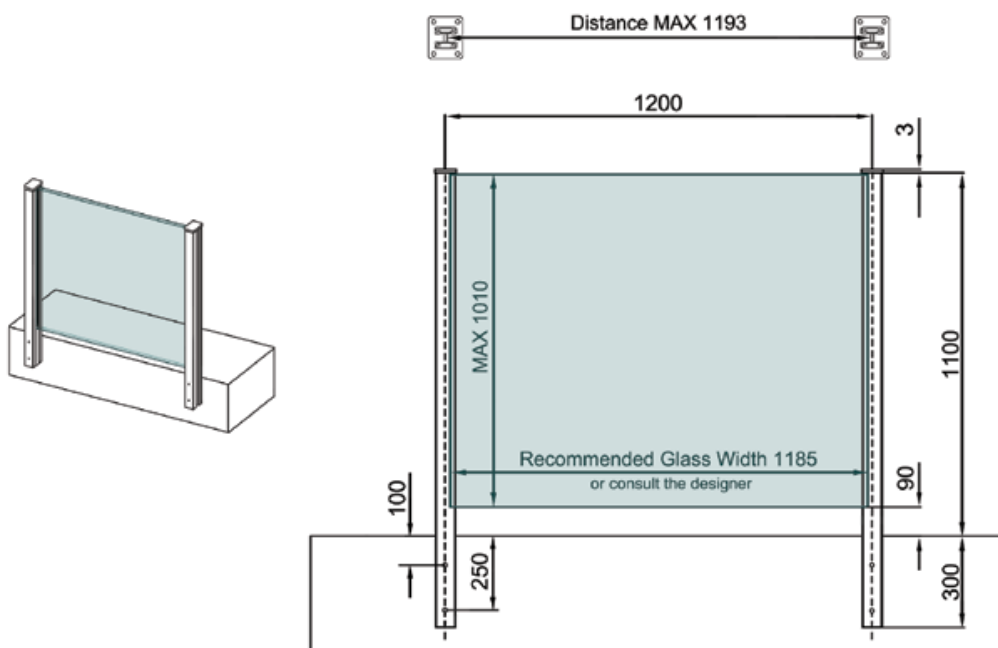
EaziRail Alu Side Mounted Posts

SIDE MOUNT POST SYSTEM SPECIFICATION

Side Mount- Handrail



Side Mount- Top Cap



Eazirail Alu Handrail & Components



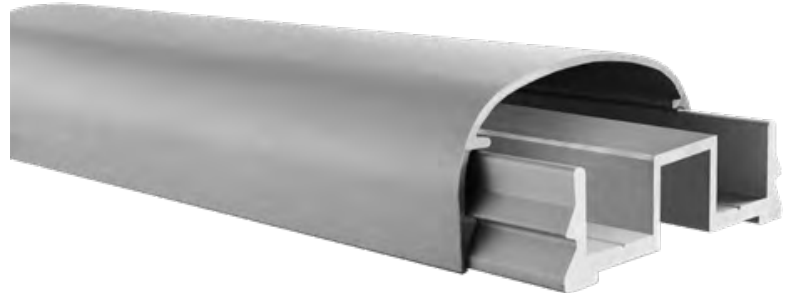
EaziRail Alu Handrail & Components

COVER/BASE PROFILES & ENDCAP

EaziRail Handrail Base & Cover Profile

This easy to install optional handrail system can be used in two ways. 1. where there is a gap between it and the glass underneath or 2. Where the glass slots up into the base channel creating a better windbreak. It is supplied in two parts, the base profile that is easily fixed to the post and then a snap on cover profile. This product is aluminium so it is more easily cut and worked with than traditional stainless steel.

K.EZAL.HR.001.AN

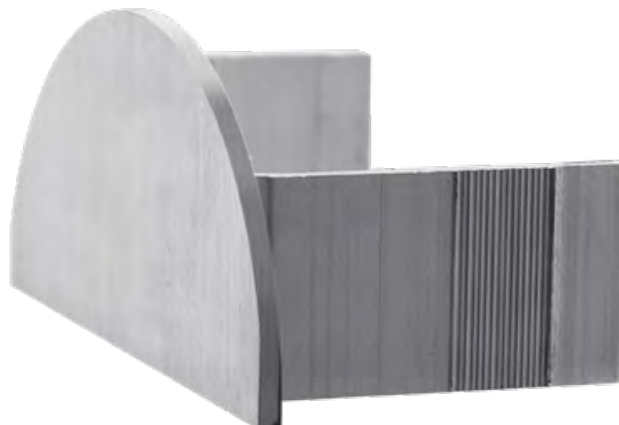


K.EZAL.HR.002.AN

DESCRIPTION	FINISH	LENGTH	CODE
EaziRail handrail cover profile	Anodised	3000mm	K.EZAL.HR.001.AN
EaziRail handrail base profile	Anodised	3000mm	K.EZAL.HR.002.AN

EaziRail Handrail Endcap

A push in endcap to match the above handrail system. Easily installed for that finished look in seconds.



DESCRIPTION	FINISH	UNIT OF SALE	CODE
EaziRail handrail endcap	Anodised	Each	K.EZAL.HR.003.AN

EaziRail Alu Handrail & Components

JOINERS

EaziRail Handrail Straight Joiner

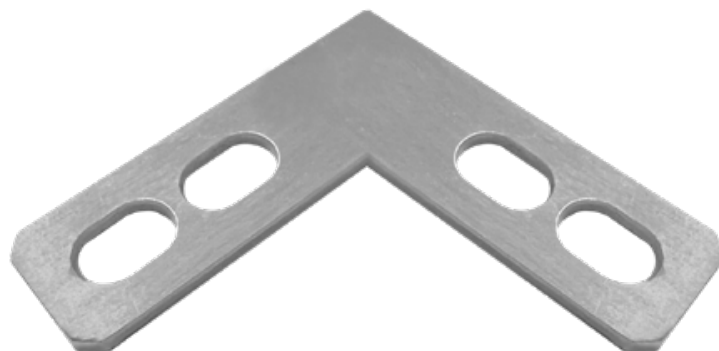
A straight joiner for joining the EaziRail handrail system. Easily installed with self drilling screws.



DESCRIPTION	FINISH	UNIT OF SALE	CODE
EaziRail handrail straight joiner	Anodised	Each	K.EZAL.HR.004.AN

EaziRail Handrail 90° Joiner

A 90 degree joiner for joining the EaziRail handrail system. Easily installed with self drilling screws.



DESCRIPTION	FINISH	UNIT OF SALE	CODE
EaziRail handrail 90° joiner	Anodised	Each	K.EZAL.HR.005.AN

EaziRail Alu Handrail & Components

JOINERS

EaziRail Handrail Variable Angle Horizontal Joiner

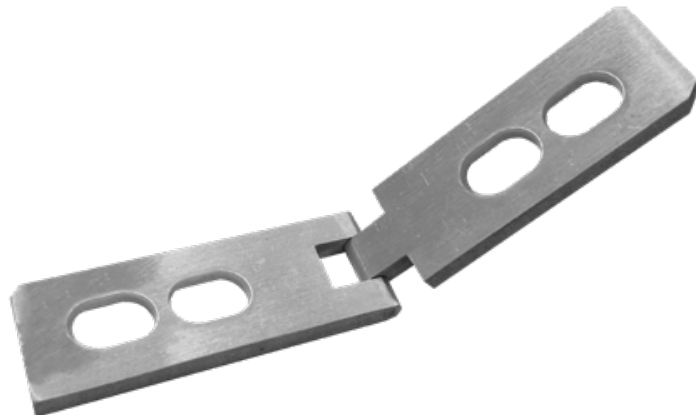
A variable angle horizontal joiner for joining the EaziRail handrail system. Easily installed with self drilling screws.



DESCRIPTION	FINISH	UNIT OF SALE	CODE
EaziRail handrail variable angle horizontal joiner	Anodised	Each	K.EZAL.HR.006.AN

EaziRail Handrail Variable Angle Vertical Joiner

A variable angle vertical joiner for joining the EaziRail handrail system. Easily installed with self drilling screws.



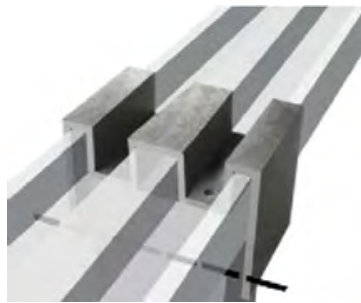
DESCRIPTION	FINISH	UNIT OF SALE	CODE
EaziRail handrail variable angle vertical joiner	Anodised	Each	K.EZAL.HR.007.AN

EaziRail Alu Handrail & Components

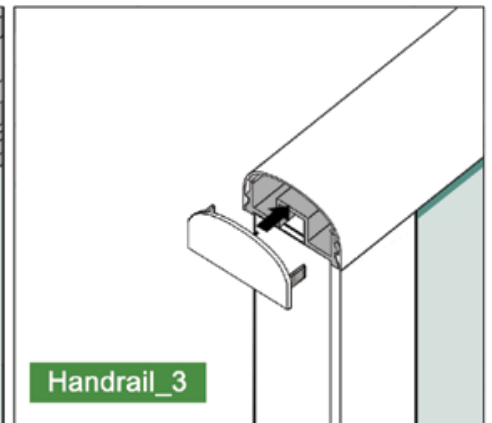
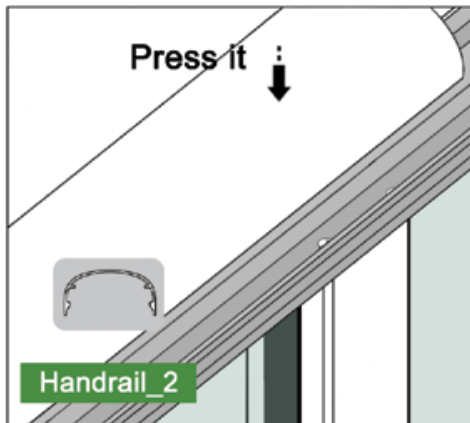
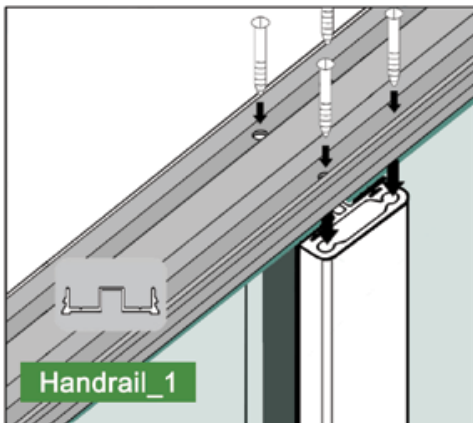
DRILLING TEMPLATE & HANDRAIL INSTALLATION

EaziRail Handrail Mounting Drilling Template

A must have tool that will give you the accurate drilling pattern for mounting the handrail to the top of the post without the need for measuring.



DESCRIPTION	FINISH	UNIT OF SALE	CODE
EaziRail handrail mounting drilling template	Anodised	Each	K.EZAL.HR.008.AN



EaziRail Alu Handrail & Components

COVERCAPS

EaziRail Universal Post Covercap

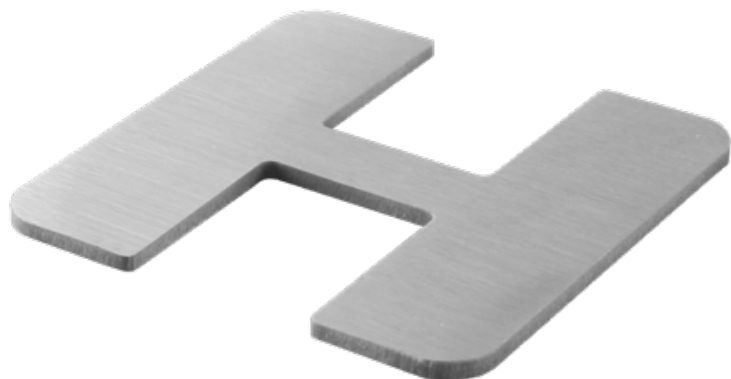
Universal cover cap that can be used with any post type once the glass is below the post top.



DESCRIPTION	FINISH	UNIT OF SALE	CODE
EaziRail universal post covercap	Anodised	Each	K.EZAL.AC.001.AN

EaziRail Centre Post Slotted Covercap

This slotted post cap is used on a centre post where the glass is higher than the post top.



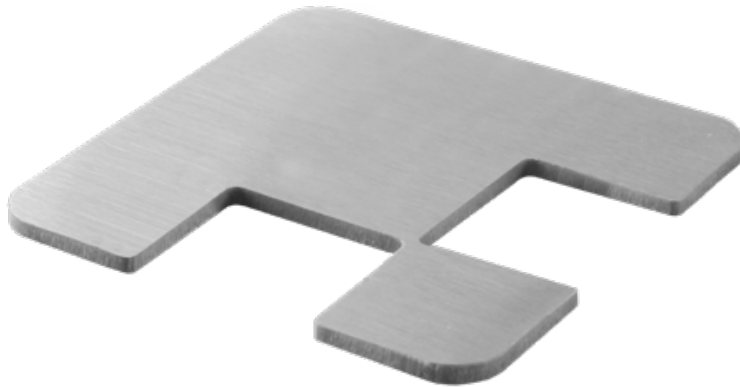
DESCRIPTION	FINISH	UNIT OF SALE	CODE
EaziRail centre post slotted covercap	Anodised	Each	K.EZAL.AC.002.AN

EaziRail Alu Handrail & Components

COVERCAPS

EaziRail Int 90 Degree Post Slotted Covercap

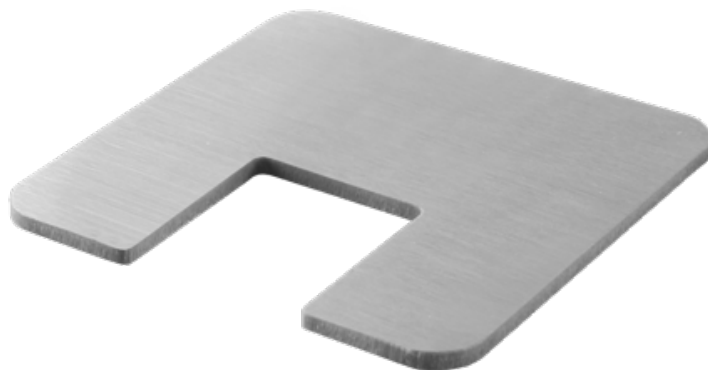
This slotted post cap is used on a 90 degree post where the glass is higher than the post top.



DESCRIPTION	FINISH	UNIT OF SALE	CODE
EaziRail centre post slotted covercap	Anodised	Each	K.EZAL.AC.004.AN

EaziRail End Post Slotted Covercap

This slotted post cap is used on an end post where the glass is higher than the post top.



DESCRIPTION	FINISH	UNIT OF SALE	CODE
EaziRail end post slotted covercap	Anodised	Each	K.EZAL.AC.003.AN



United Kingdom

Telephone: 0800 975 3436

Email: sales@glassparts.co.uk

www.glassparts.co.uk

Republic of Ireland

Telephone: +353 505 45125

Email: sales@glassparts.ie

www.glassparts.ie

All images portrayed in this catalogue should not be reproduced without specific written permission from GlassParts UK Ltd. Images, designs and finishes are for illustrative purposes only and may differ when manufactured. We reserve the right to amend or withdraw any products within this catalogue without prior notice. Finishes shown in this catalogue should be used for guidance only. Copyright GlassParts UK Ltd © 2023