

# LOFT STYLE

## Shower Screens & Enclosures



# Loft Style

Shower Screens & Enclosures

**Glass To Support Bar Bracket**  
**JRB.LOFT.002**

**Wall To Support Bar Bracket**  
**JRB.LOFT.001**

**Support Bar**  
**JRB.LOFT.005**  
**JRB.LOFT.006**  
- length: 1.0 m  
1.5 m

**U - Profile**  
**G7012BL-LOFT**  
**G7013BL-LOFT**  
- length: 3 m

**Corner Profile**  
**G.DK.LOFT.020**  
**G.DK.LOFT.021**  
- length: 3 m

**Grid Profile**  
**G.DK.LOFT.005**  
- length: 3 m

**Acrylic Tape**  
**H.A7200.09.07**  
- thickness: 0,7 mm  
- width: 9 mm

**Adhesive and Sealant**  
**N.SOU.FIXALL.CL**  
recommended to use

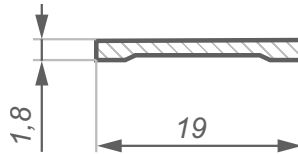
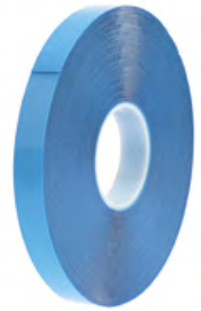
# Loft Style

Shower Screens & Enclosures

## Loft Style Stick On Grid Profile

This 19mm x 1.8mm thick aluminium profile that can easily be used horizontally or vertically to create that loft look. Ideally used with our special 0.75mm thick acrylic tape in the slotted area to the back of the profile to ensure a genuine look and feel.

Can be used with any of our Dynamik partition profiles.



DESCRIPTION	FINISH	UNIT OF SALE	CODE
Loft style stick on grid profile	Black	3000mm	<b>G.DK.LOFT.005</b>
Crystal clear double side acrylic tape	Clear	33 metre roll	<b>H.A7200.09.07</b>

## U - Profile For Loft Style

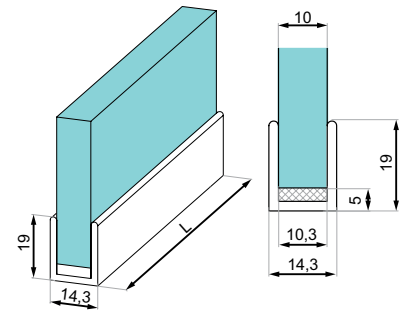
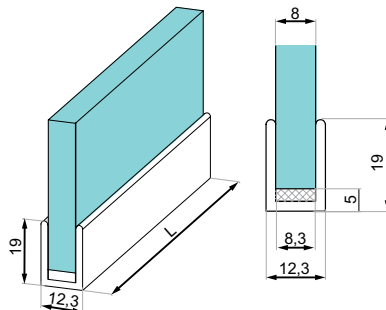
Available for 8 or 10mm thick glass. The most popular U channel for bespoke shower enclosures. The depth of the channel is ideal for disguising any discrepancy in the plumpness of the wall, allowing for the glass to be cut straight. Simply mitre the profile on the corners and stick around the perimeter of the panel.

We recommend using N.SOU.FIXALL.CL for sticking the U profile to the glass.

8mm U Profile For Loft Style



10mm U Profile For Loft Style



DESCRIPTION	FINISH	GLASS THICKNESS	LENGTH	CODE
U - profile For Loft Style	Black	8mm	2500mm	<b>G7012BL-LOFT</b>
U - profile For Loft Style	Black	10mm	2500mm	<b>G7013BL-LOFT</b>

# Loft Style

Shower Screens & Enclosures

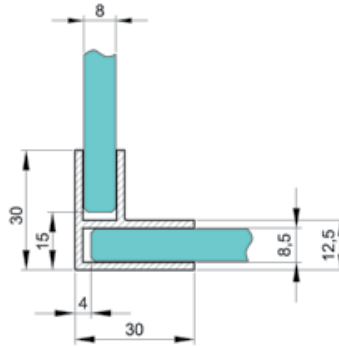
## Loft Style 90° Corner Profiles

Available for 8 or 10mm thick glass. These 90 degree corners are easily installed using our Soudal Fixall adhesive N.SOU.FIXALL.CL

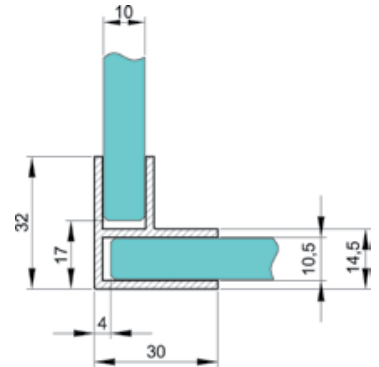
Used vertically to form a metal frame effect for that genuine look and feel.

Can be used with any of our Dynamik partition profiles.

8mm 90° H-profile



10mm 90° H-profile



DESCRIPTION	FINISH	GLASS THICKNESS	LENGTH	CODE
90° H - profile	Black	8mm	3000mm	<b>G.DK.LOFT.020</b>
90° H - profile	Black	10mm	3000mm	<b>G.DK.LOFT.021</b>

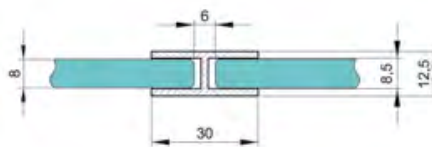
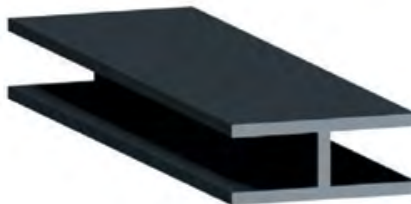
## Loft Style 180° Profiles

Available for 8 or 10mm thick glass. These 180 degree corners are easily installed using our Soudal Fixall adhesive N.SOU.FIXALL.CL

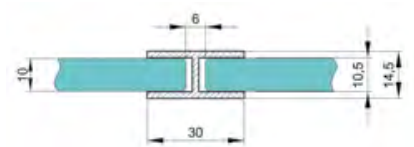
Used vertically on the joint of two glass panes to form a metal frame effect for that genuine look and feel.

Can be used with any of our Dynamik partition profiles.

8mm 180° H-profile



10mm 180° H-profile



DESCRIPTION	FINISH	GLASS THICKNESS	LENGTH	CODE
180° H - profile	Black	8mm	3000mm	<b>G.DK.LOFT.022</b>
180° H - profile	Black	10mm	3000mm	<b>G.DK.LOFT.023</b>



# Loft Style

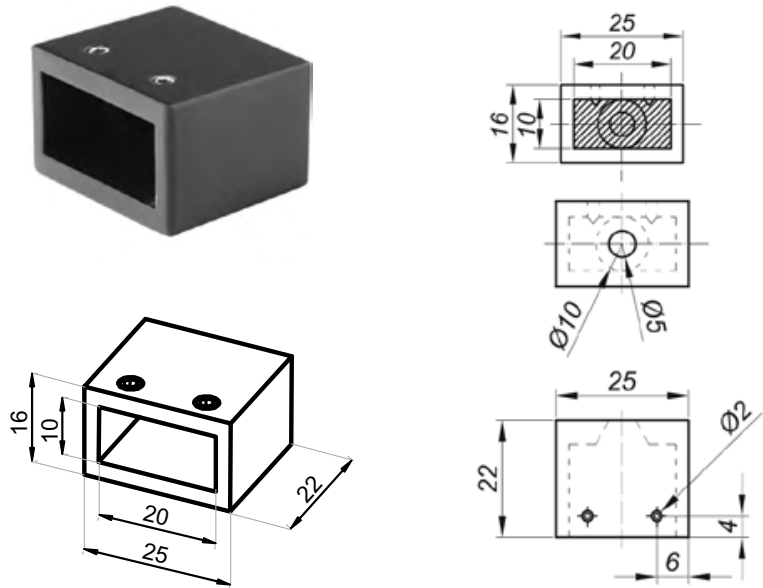
Shower Screens & Enclosures

## Loft Style Wall To Support Bar Bracket

A perfect match in colour and style for the contemporary loft style shower enclosure.

This bracket is mounted on the parallel wall to the panel that needs supporting and carry the support arm.

Easily fixed to the wall and attached to the support bar.



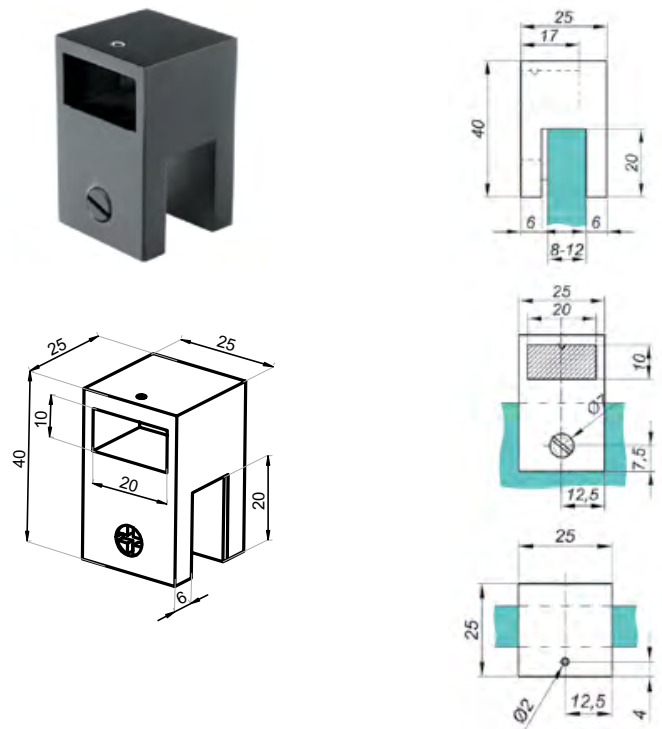
DESCRIPTION	FINISH	UNIT OF SALE	CODE
Loft Style Wall To Support Bar Bracket	Black	Each	JRB.LOFT.001

## Loft Style Glass To Support Bar Bracket

A perfect match in colour and style for the contemporary loft style shower enclosures.

This bracket is mounted on the glass or over the U profile on the panel that needs supporting and carries the support arm.

Easily fixed to the panel and attached to the support bar by grub screws.



DESCRIPTION	FINISH	UNIT OF SALE	CODE
Loft Glass Wall To Support Bar Bracket	Black	Each	JRB.LOFT.002

# Loft Style

Shower Screens & Enclosures

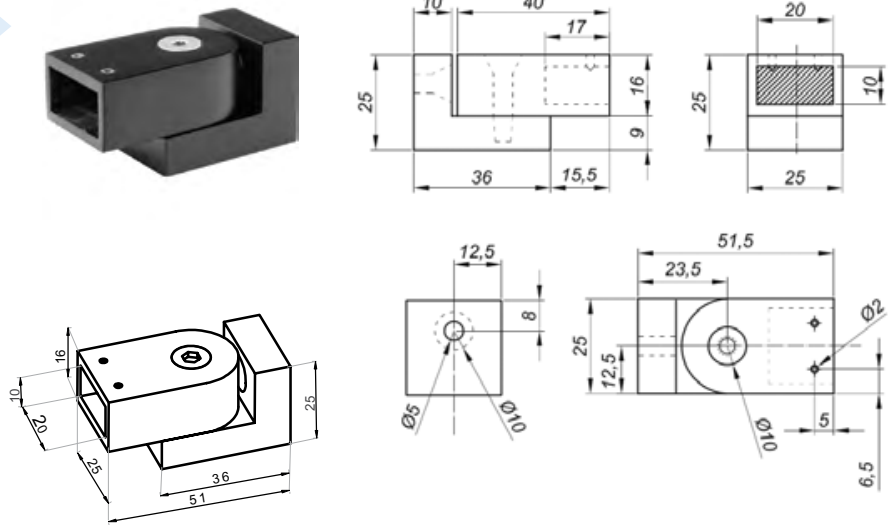
## Loft Style Swivel Wall To Support Bar Bracket

A perfect match in colour and style for the contemporary loft style shower enclosures.

This bracket is mounted on the wall to carry the support arm.

This bracket swivels which allows the support arm to be installed at virtually any angle.

Easily fixed to the wall and attached to the support bar.



### DESCRIPTION

Loft Style Swivel Wall To Support Bar Bracket

### FINISH

Black

### UNIT OF SALE

Each

### CODE

JRB.LOFT.003

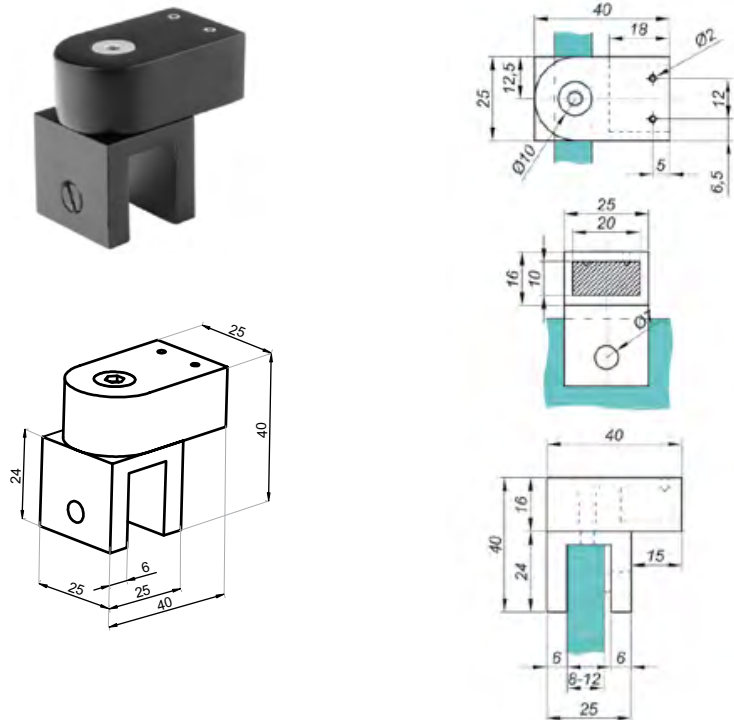
## Loft Style Swivel Glass To Support Bar Bracket

A perfect match in colour and style for the contemporary loft style shower enclosures.

This bracket is mounted on the glass or over the U profile on the panel that needs supporting and carries the support arm.

This bracket can swivel to allow the support arm to attach from an alternative angle than the standard 90 degree.

Easily fixed to the panel and attached to the support bar by grub screws.



### DESCRIPTION

Loft Style Swivel Glass To Support Bar Bracket

### FINISH

Black

### UNIT OF SALE

Each

### CODE

JRB.LOFT.004

# Loft Style

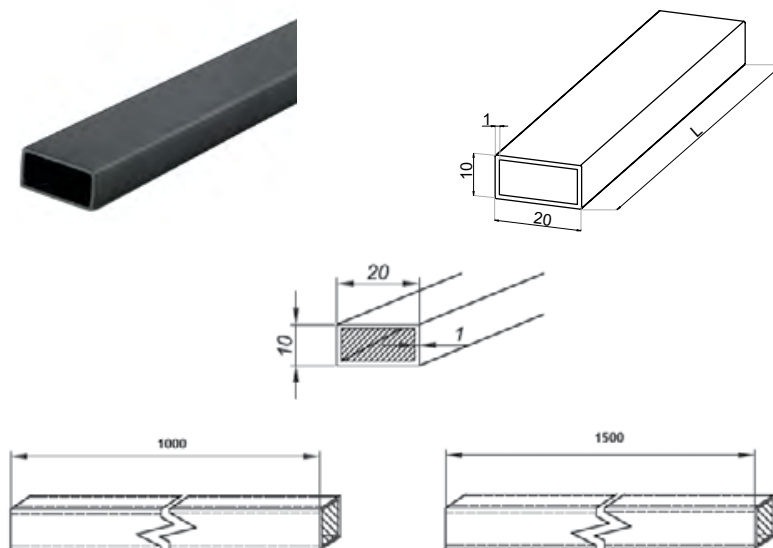
Shower Screens & Enclosures

## Loft Style Support Bar (Bar Only)

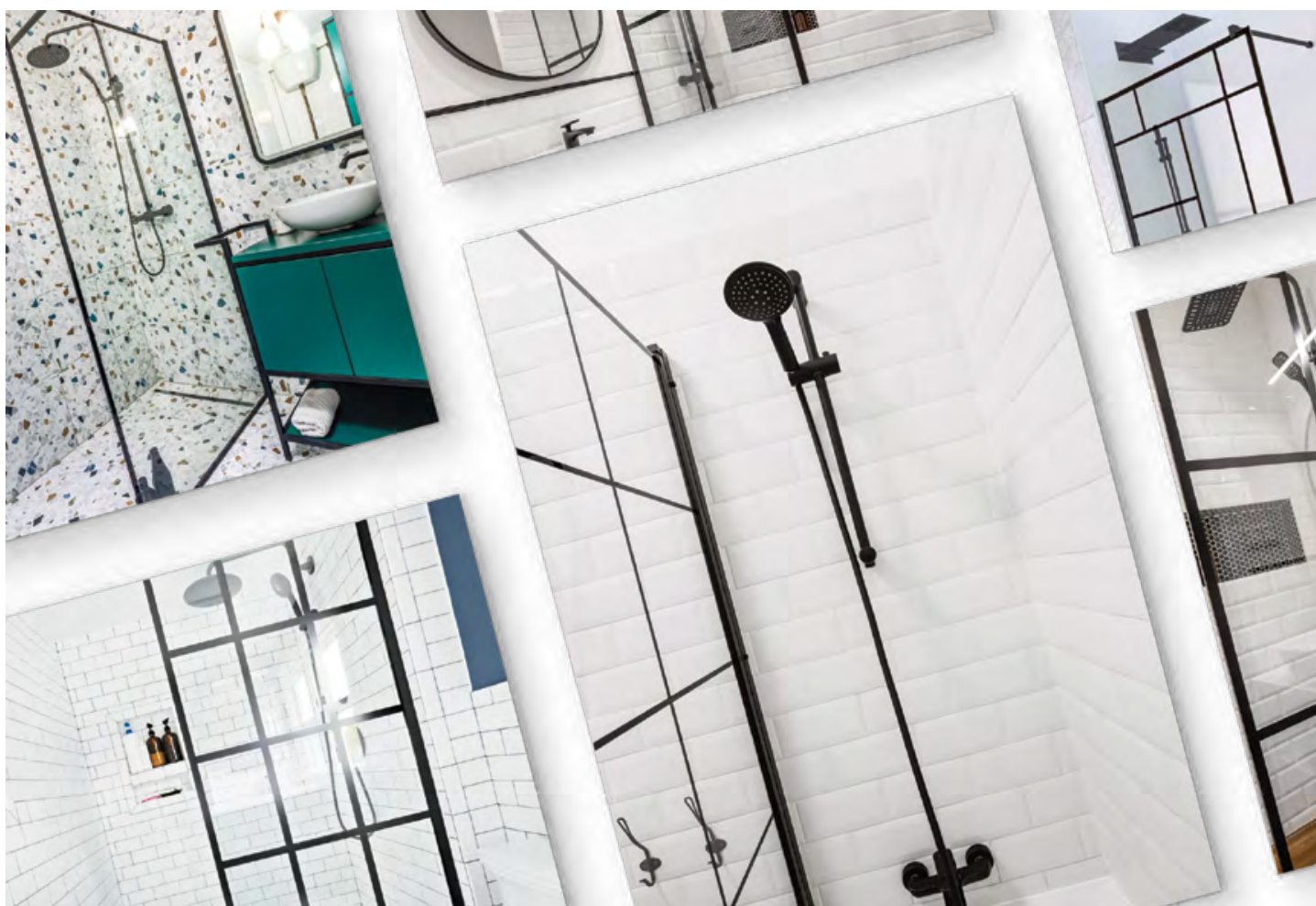
A perfect match in colour and style for the contemporary loft style shower enclosures.

This bar will cater for a maximum width of 1000mm or 1500mm and can be easily cut down to size for anything less than that.

It easily attaches to the wall and glass brackets by grub screw.



DESCRIPTION	FINISH	LENGTH	CODE
Loft Style 1000mm Support Bar (Bar Only)	Black	1000mm	JRB.LOFT.005
Loft Style 1500mm Support Bar (Bar Only)	Black	1500mm	JRB.LOFT.006





**United Kingdom**

Telephone: 0800 975 3436

Email: [sales@glassparts.co.uk](mailto:sales@glassparts.co.uk)

[www.glassparts.co.uk](http://www.glassparts.co.uk)

**Republic of Ireland**

Telephone: +353 505 45125

Email: [sales@glassparts.ie](mailto:sales@glassparts.ie)

[www.glassparts.ie](http://www.glassparts.ie)

All images portrayed in this catalogue should not be reproduced without specific written permission from GlassParts UK Ltd. Images, designs and finishes are for illustrative purposes only and may differ when manufactured. We reserve the right to amend or withdraw any products within this catalogue without prior notice. Finishes shown in this catalogue should be used for guidance only. Copyright GlassParts UK Ltd © 2023