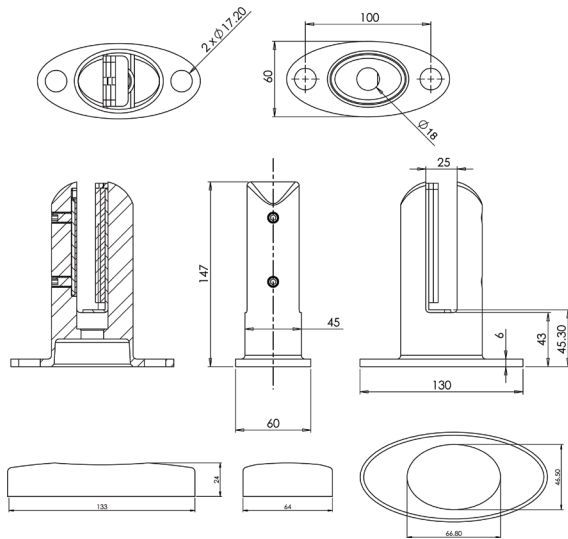




Glass Spigot



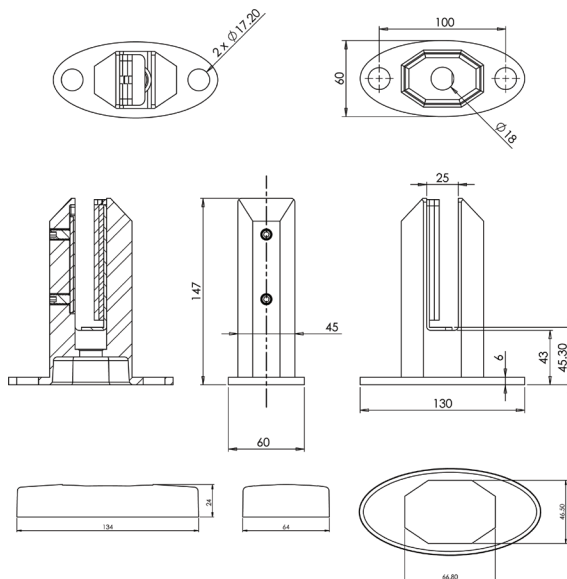
Glass Spigot



Glass Spigot & Cover Plate

Manufactured using Duplex 2205 grade stainless steel for use in the most harsh outdoor environments. Suitable for 10mm to 21.52mm thick glass. Glass alignment can be easily achieved by shimming the base of the spigot. No glass drilling is required. Tested in accordance to BS6180 up to 0.74kN.

Description	Code	Unit of Sale
Glass Spigot - 10-21.52mm Glass - 2205 Duplex Stainless	KCVSP001	Each
Glass Spigot Cover Plate	KCVSP002	Each



Glass Spigot (Square) & Cover Plate

Manufactured using Duplex 2205 grade stainless steel for use in the most harsh outdoor environments. Suitable for 10mm to 21.52mm thick glass. Glass alignment can be easily achieved by shimming the base of the spigot. No glass drilling is required. Tested in accordance to BS6180 up to 0.74kN.

Description	Code	Unit of Sale
Glass Spigot (Square) - 10-21.52mm Glass - 2205 Duplex Stainless	KCVSP003	Each
Glass Spigot (Square) Cover Plate	KCVSP004	Each