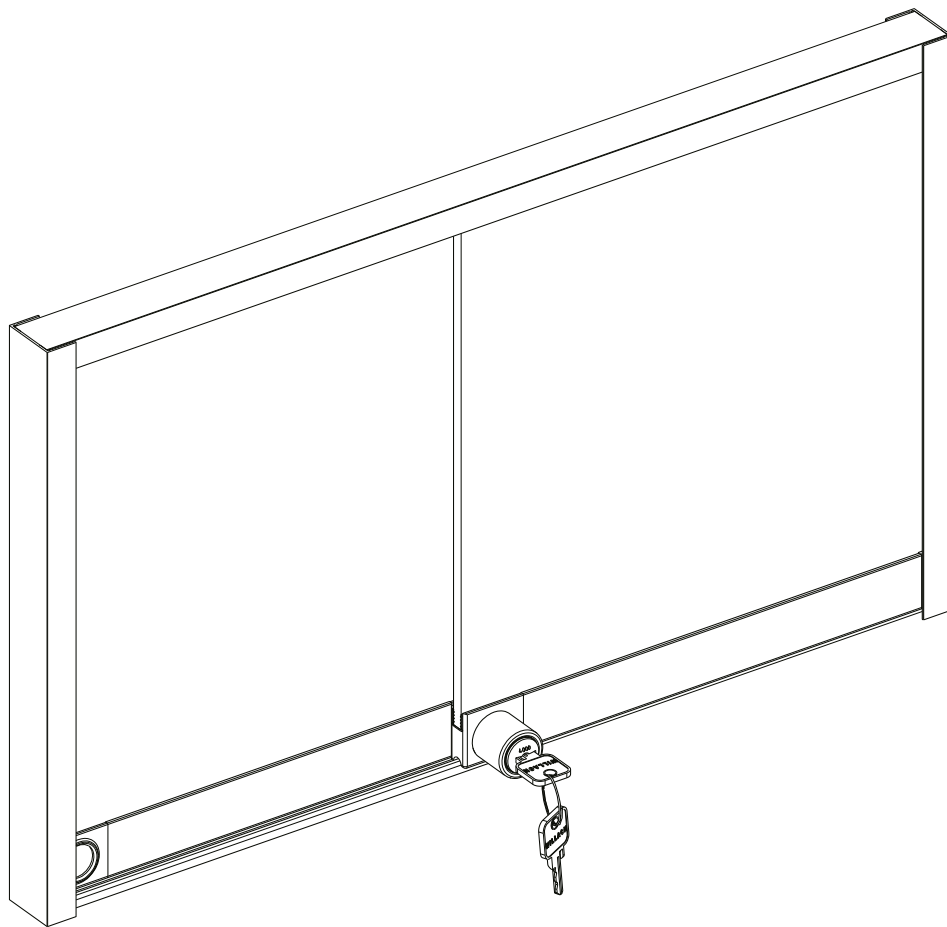


# ROBUSTUS

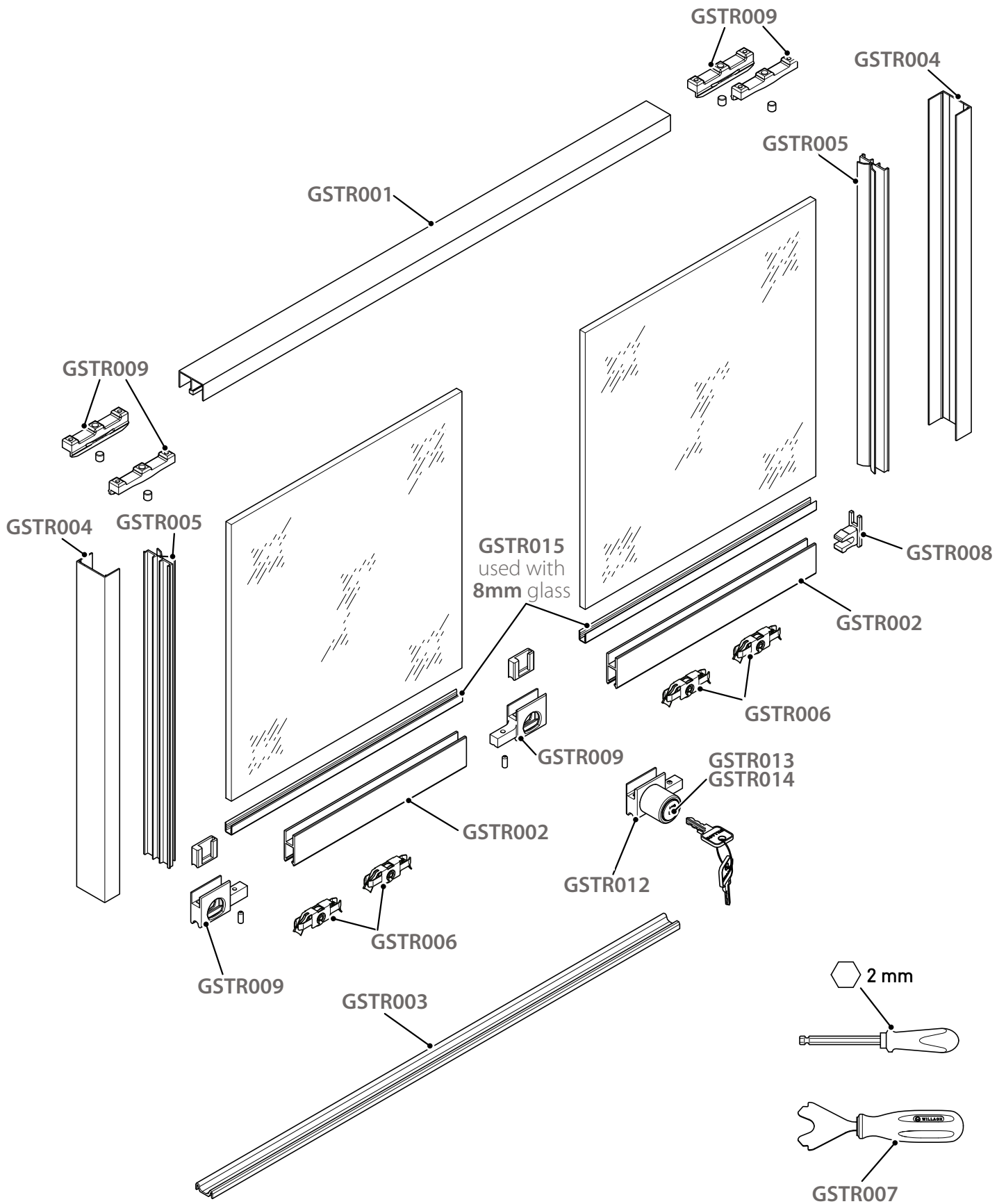
FITTING INSTRUCTION

for 10mm  
- 12.8mm  
**GLASS**



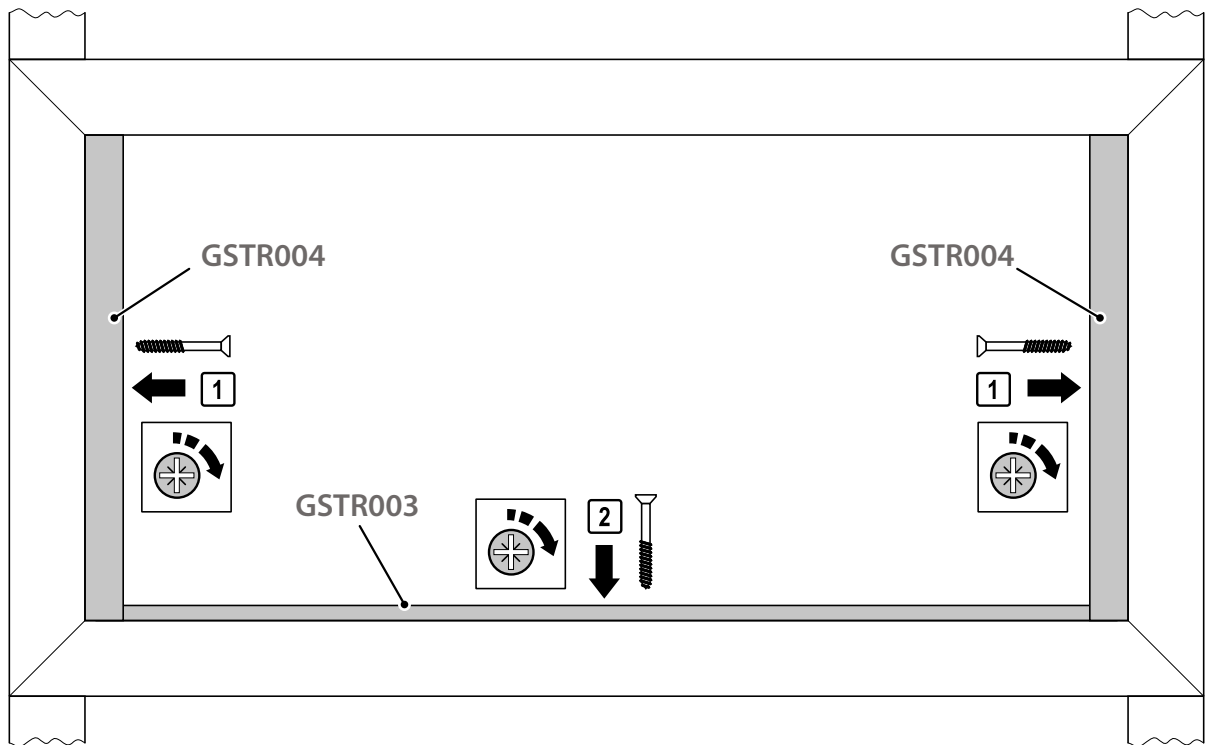
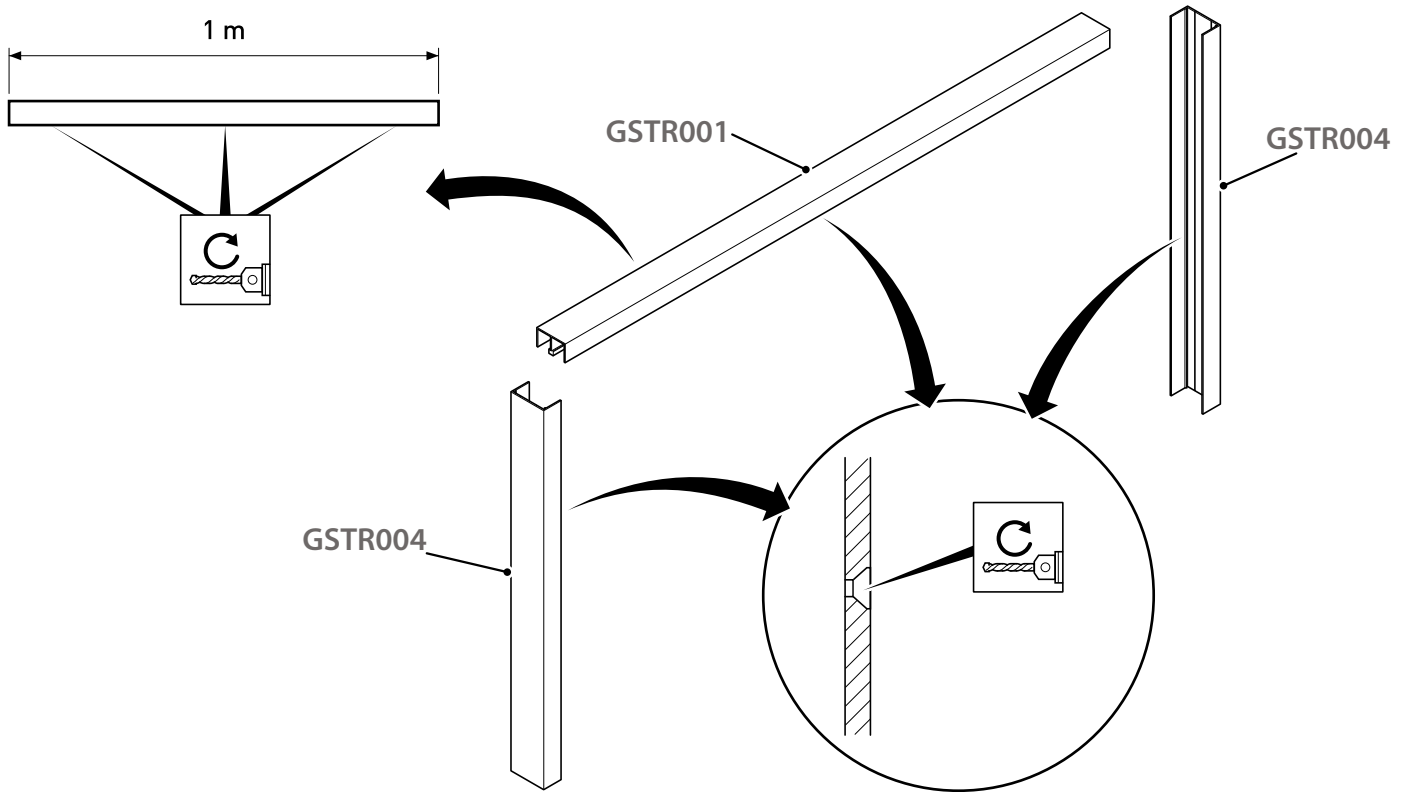
# Robustus

## FITTING INSTRUCTION



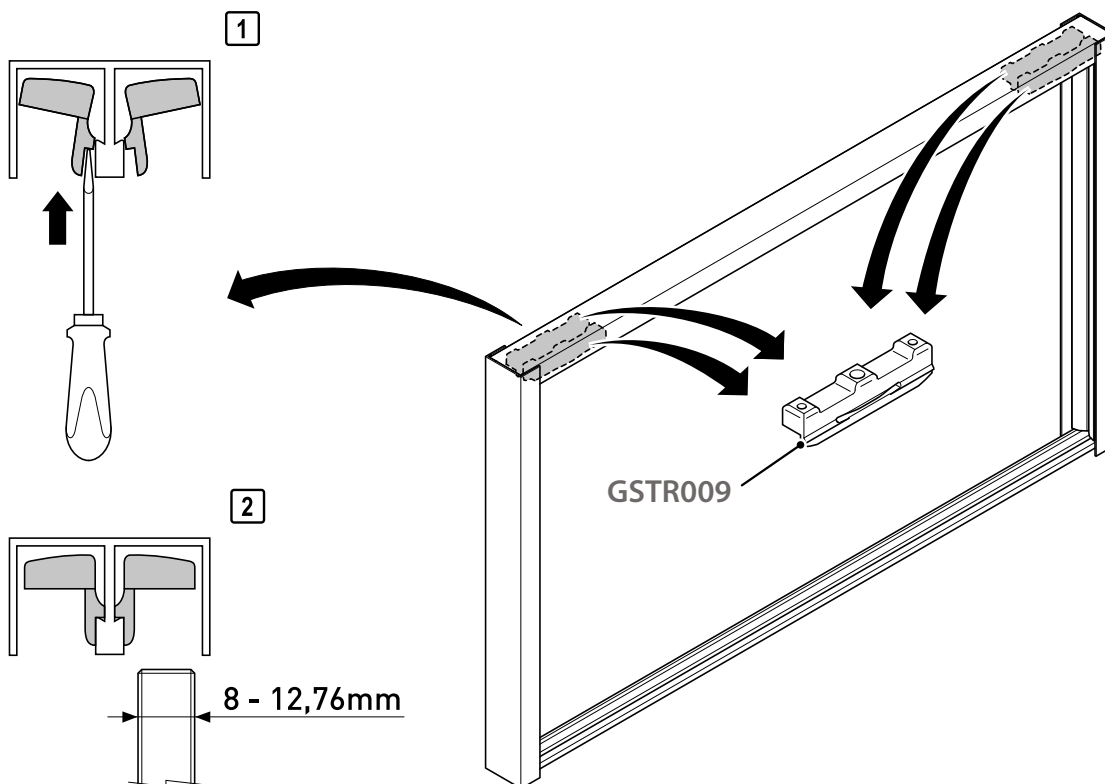
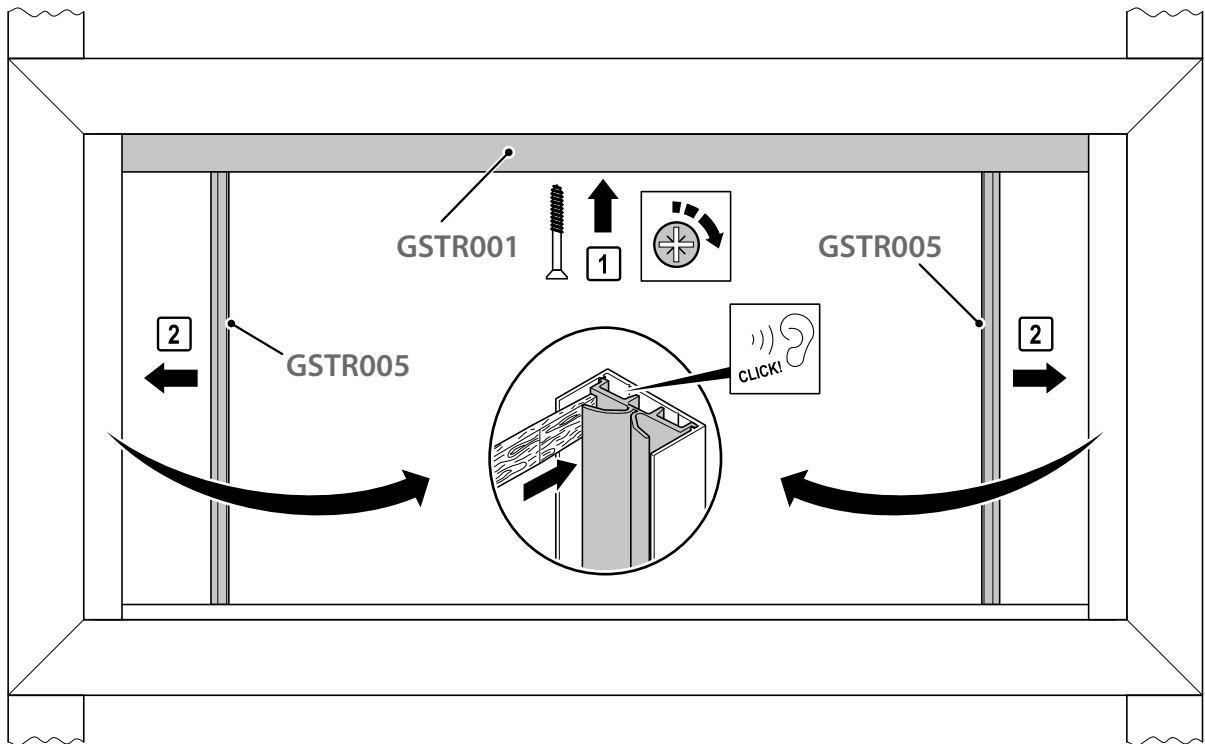
# Robustus

## FITTING INSTRUCTION



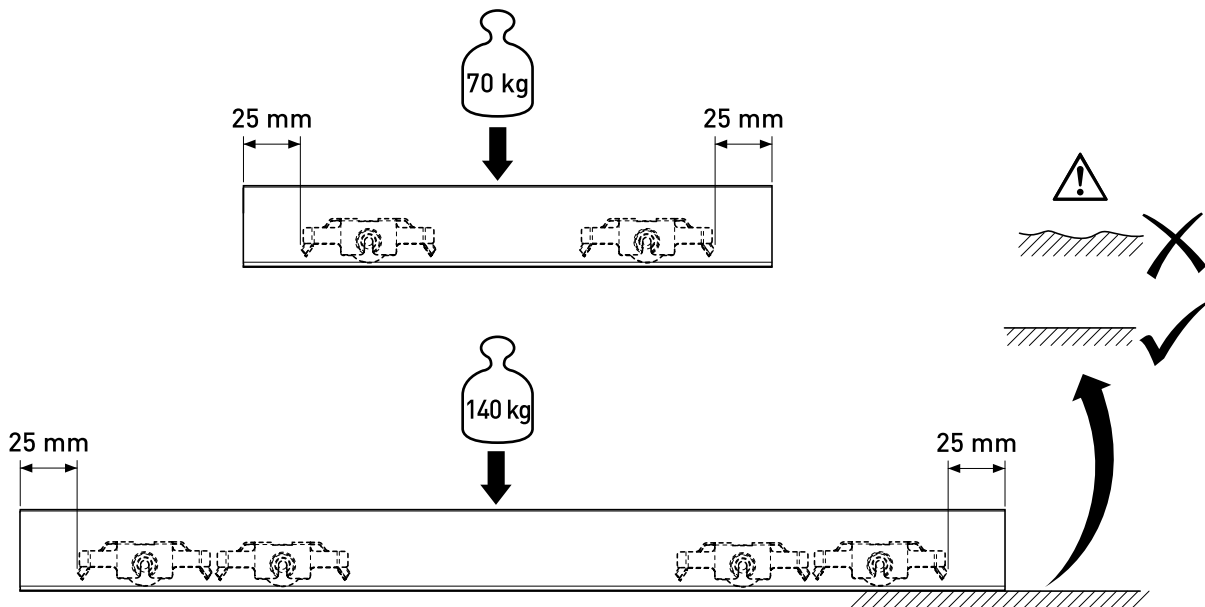
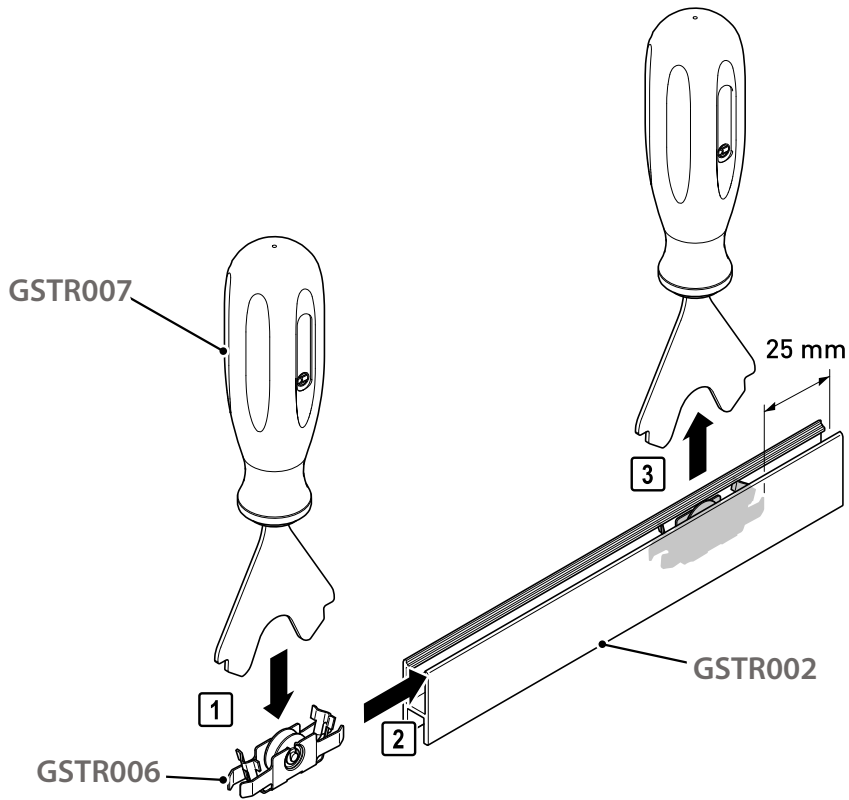
# Robustus

## FITTING INSTRUCTION



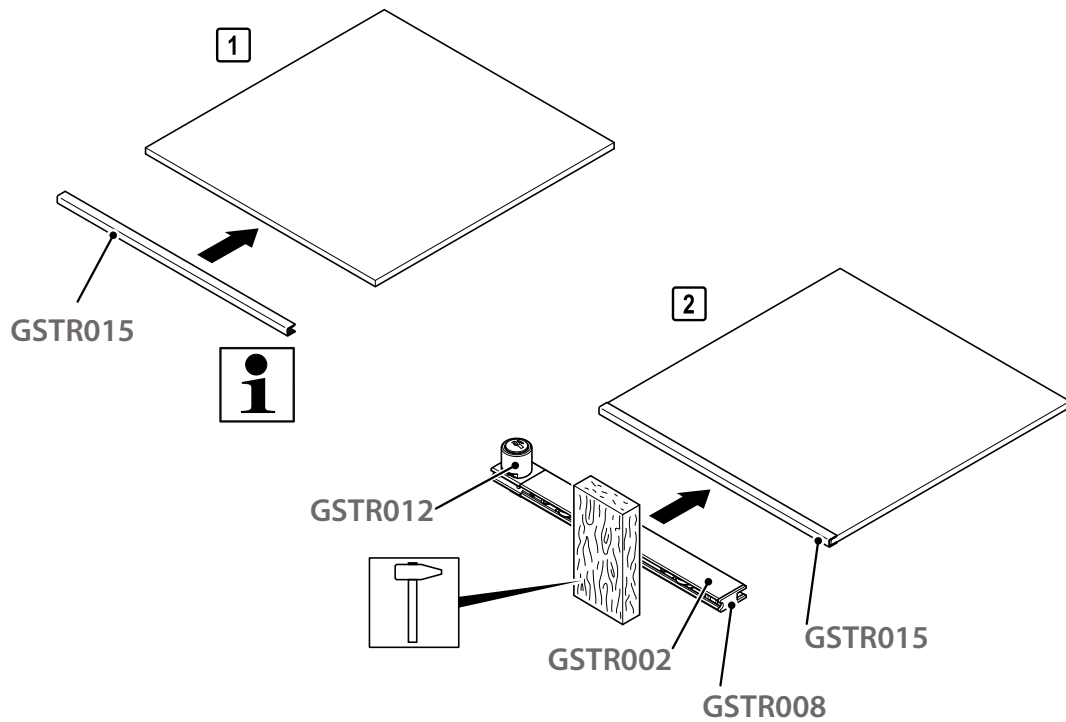
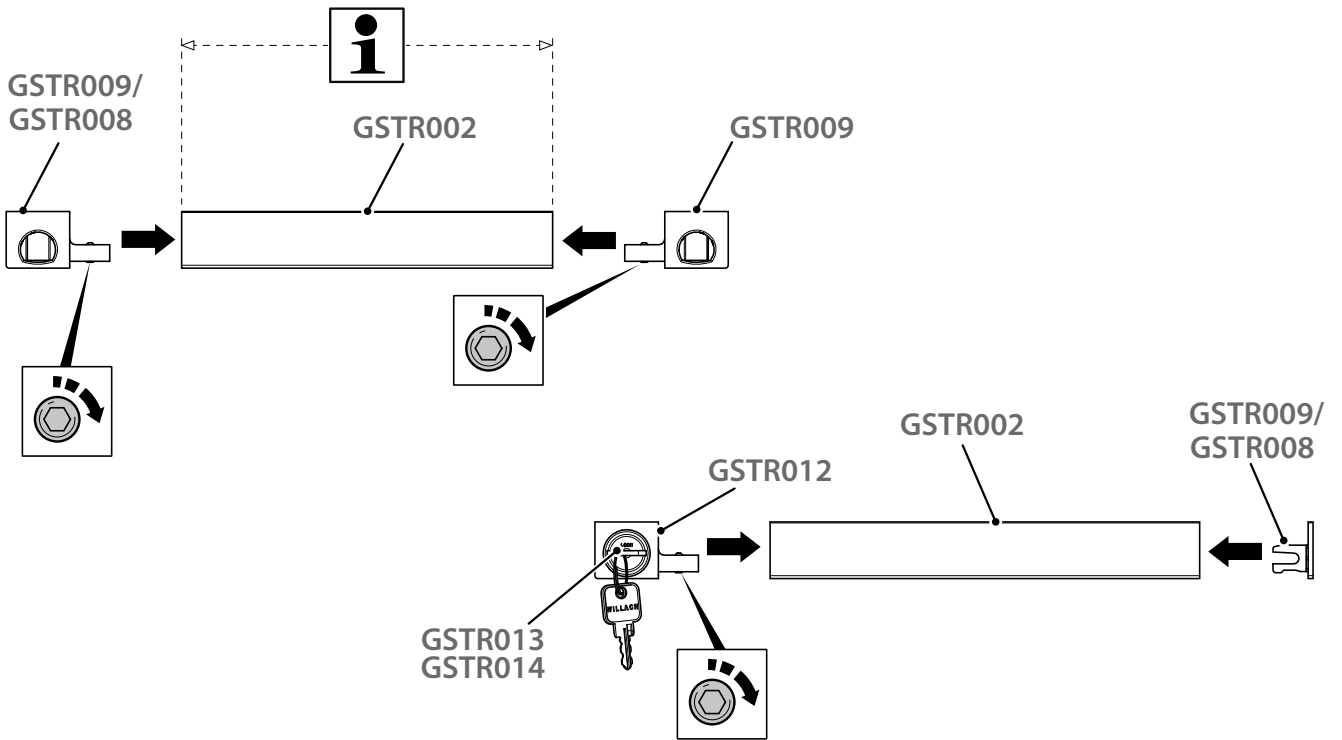
# Robustus

## FITTING INSTRUCTION



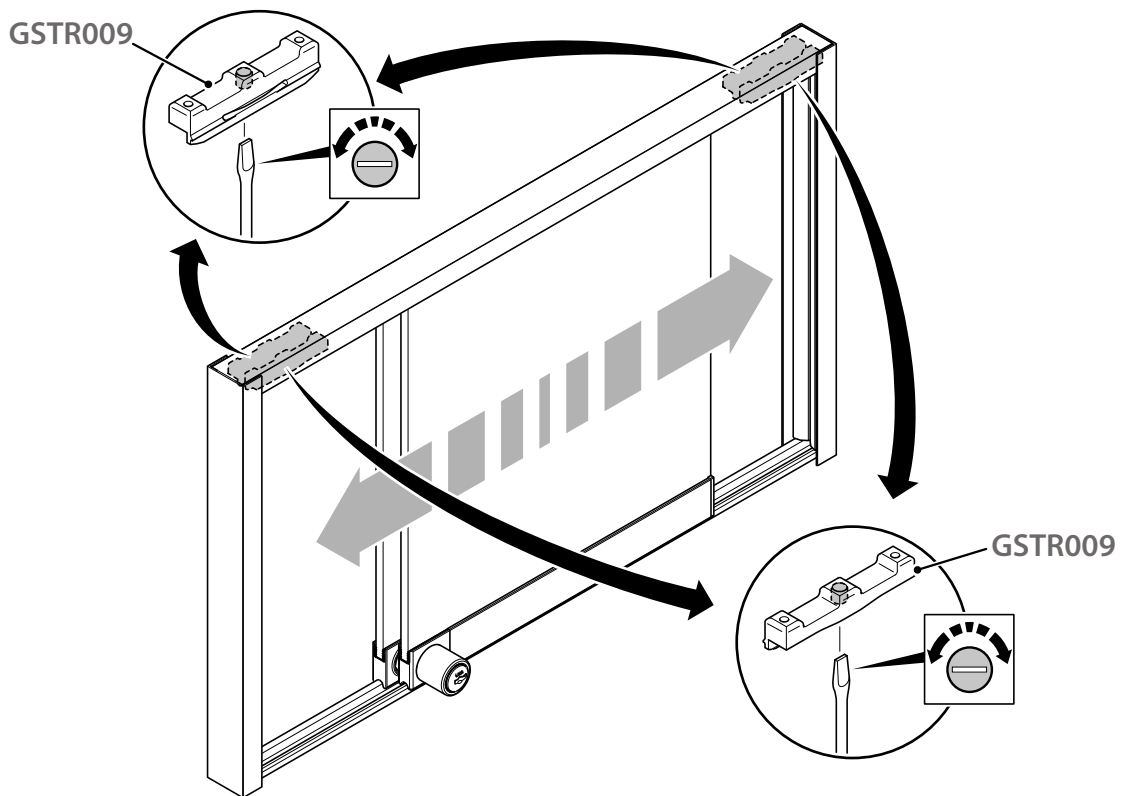
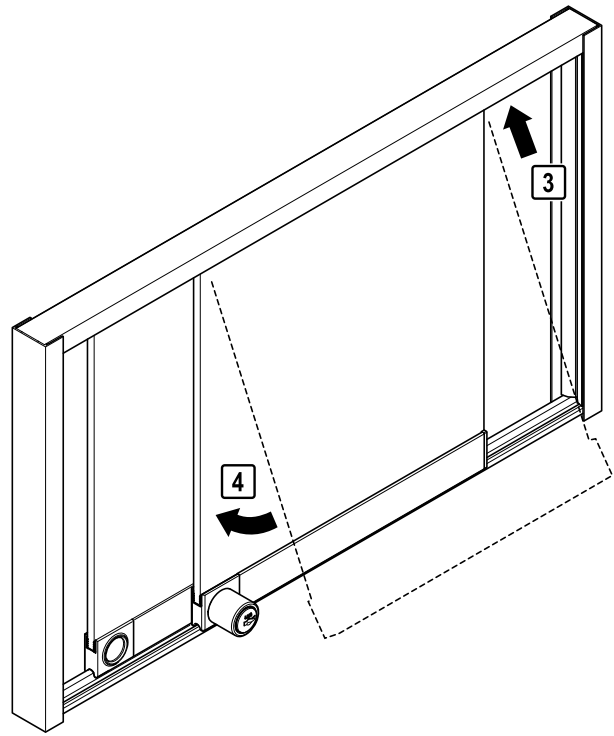
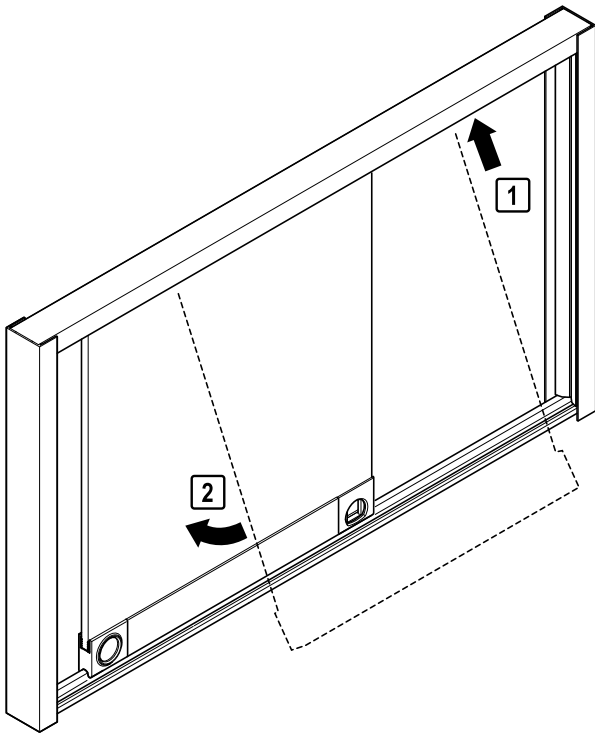
# Robustus

## FITTING INSTRUCTION



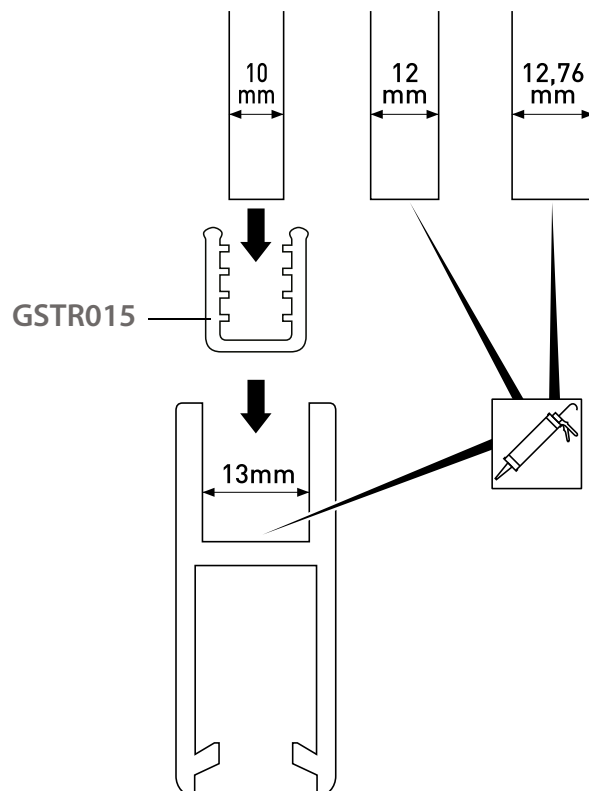
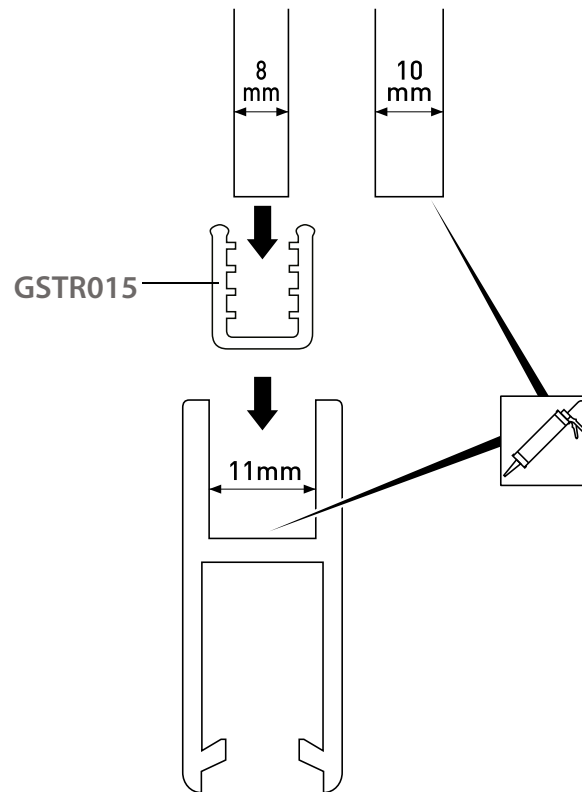
# Robustus

## FITTING INSTRUCTION



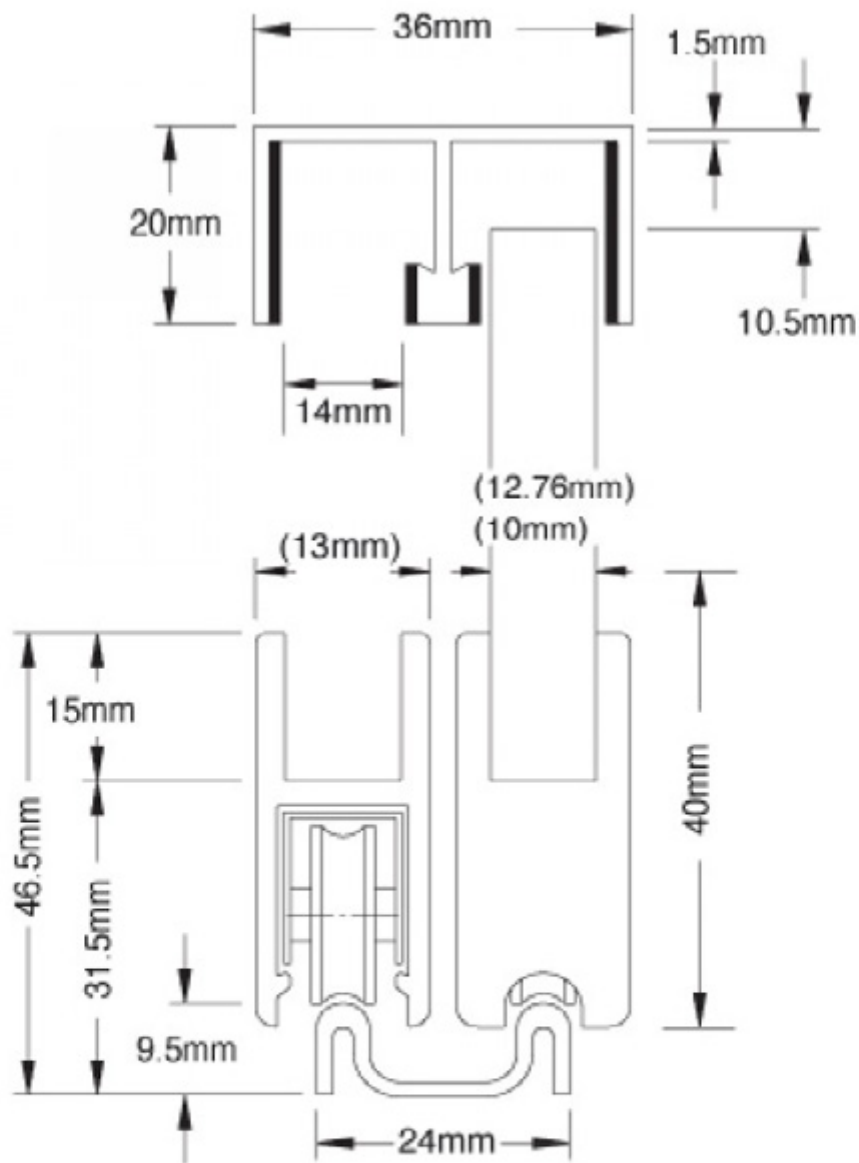
# Robustus

## FITTING INSTRUCTION



# Robustus

## FITTING INSTRUCTION



### Technical specifications

Maximum load  
2 x GSTR006 = approx. 70 kg / 4 x GSTR006 = approx. 140 kg

Glass Door Height = Installation Height,  
less 42mm (when used with 12mm, 12.76mm Glass),  
less 44mm (when used with 10mm Glass)

Glass Door Width when using GSTR005 = Installation Width,  
less 22, divided by 2, plus 16mm



**United Kingdom**

Telephone: 0800 975 3436

Email: [sales@glassparts.co.uk](mailto:sales@glassparts.co.uk)

[www.glassparts.co.uk](http://www.glassparts.co.uk)

**Republic of Ireland**

Telephone: +353 505 45125

Email: [sales@glassparts.ie](mailto:sales@glassparts.ie)

[www.glassparts.ie](http://www.glassparts.ie)