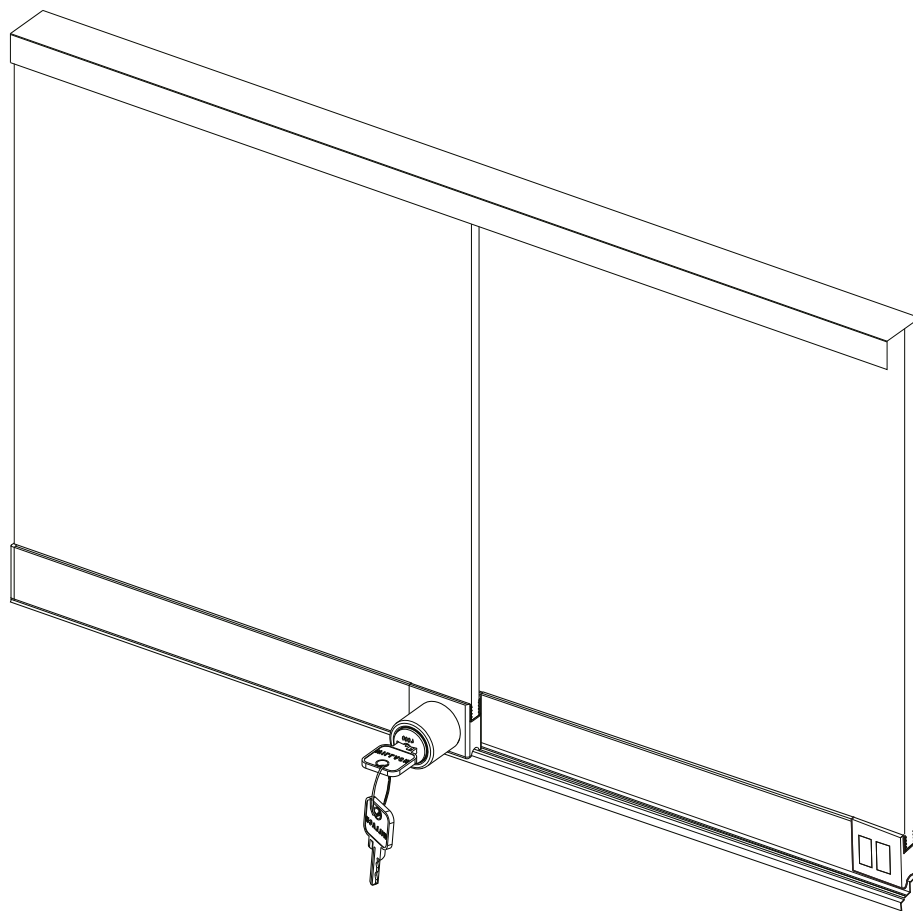


STANDARD SLIDING TRACK FITTING INSTRUCTION

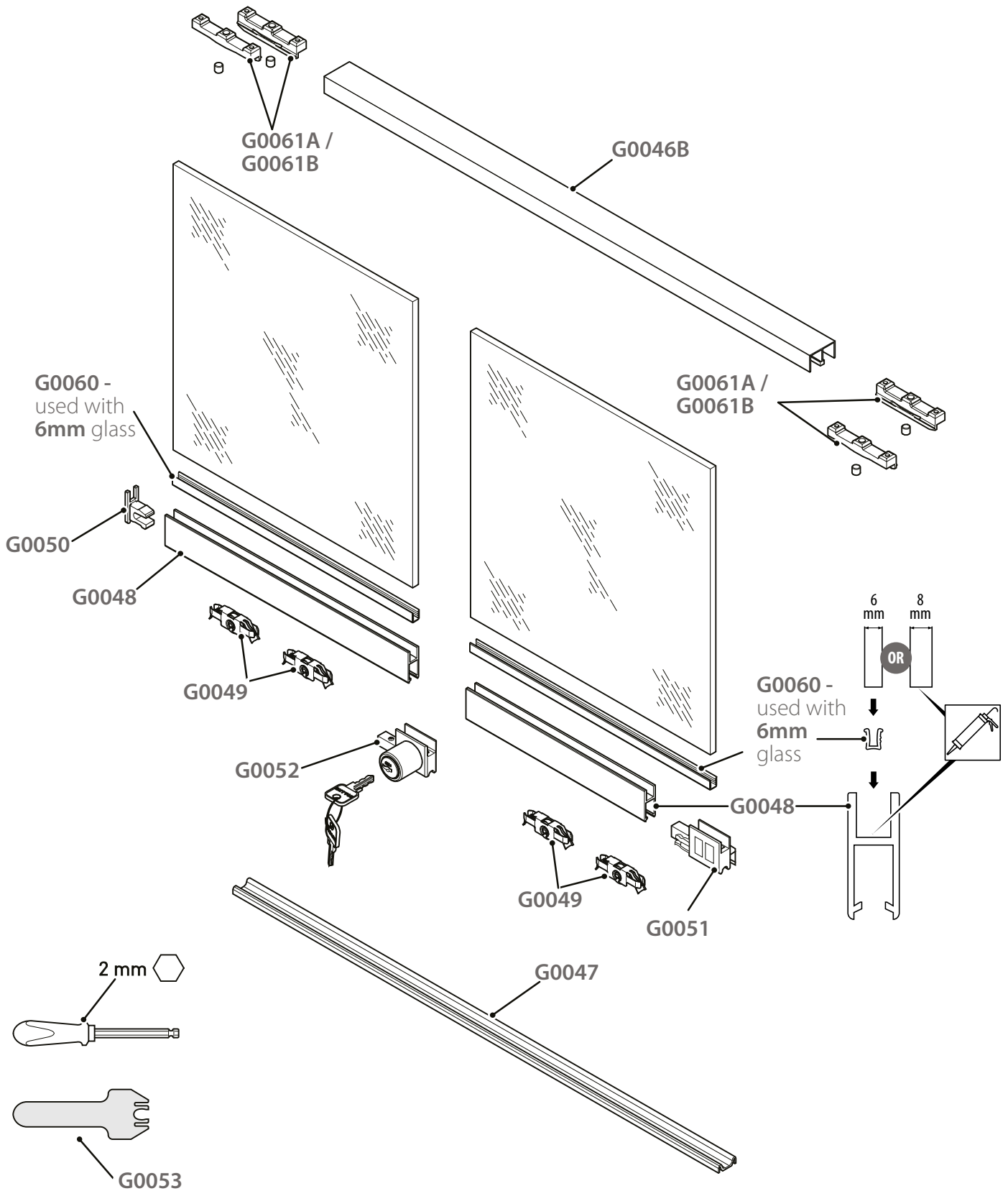
for 6 mm
8 mm

GLASS



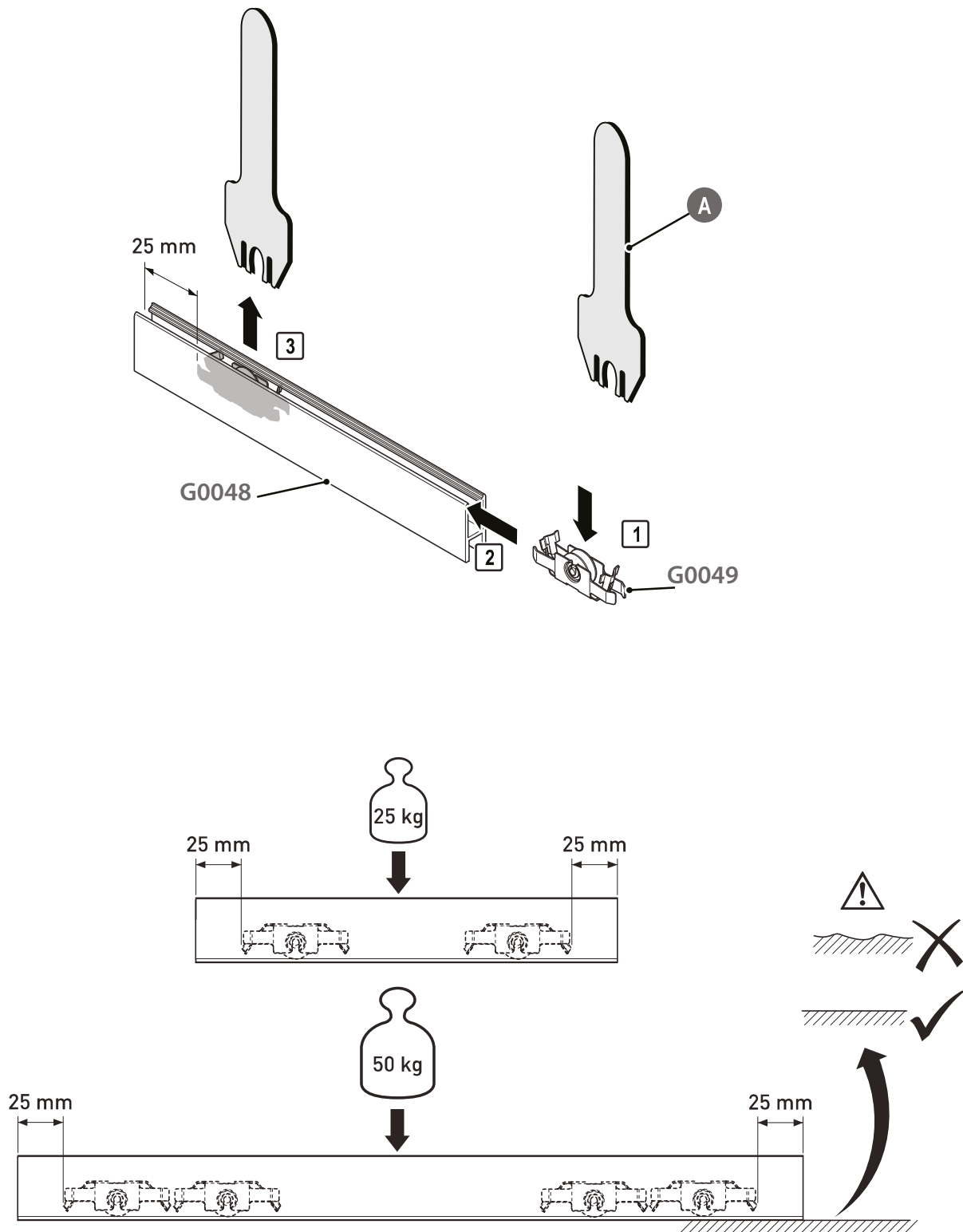
Standard Sliding Track

FITTING INSTRUCTION



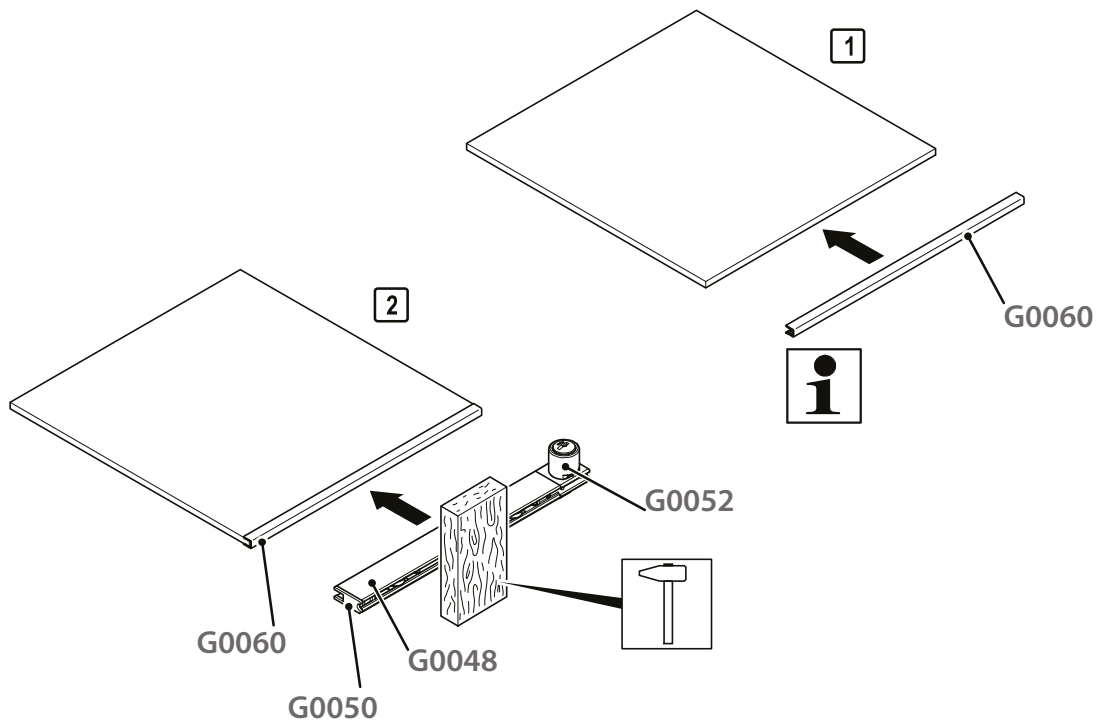
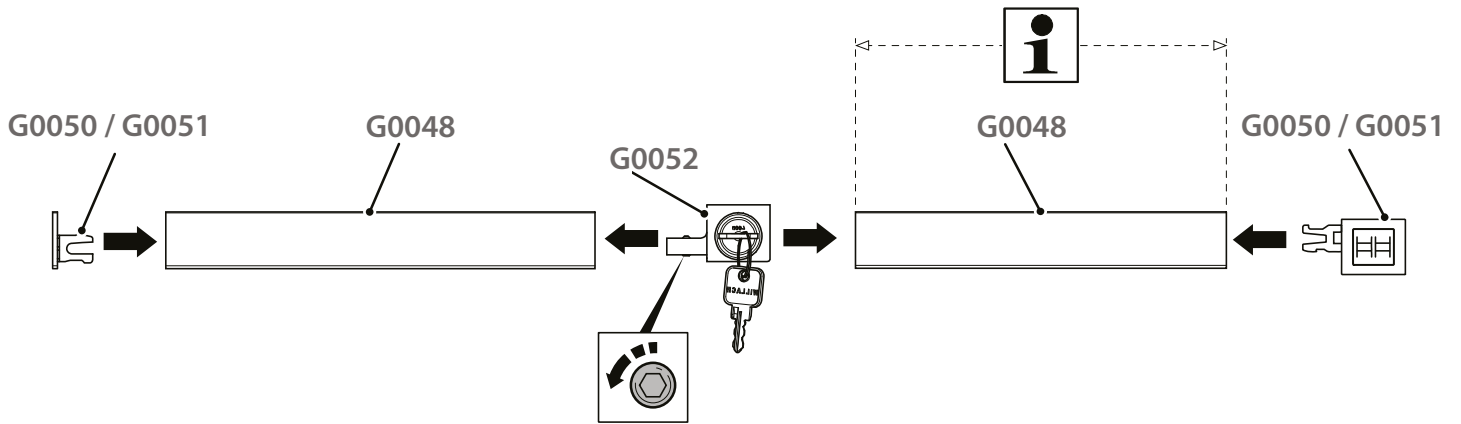
Standard Sliding Track

FITTING INSTRUCTION



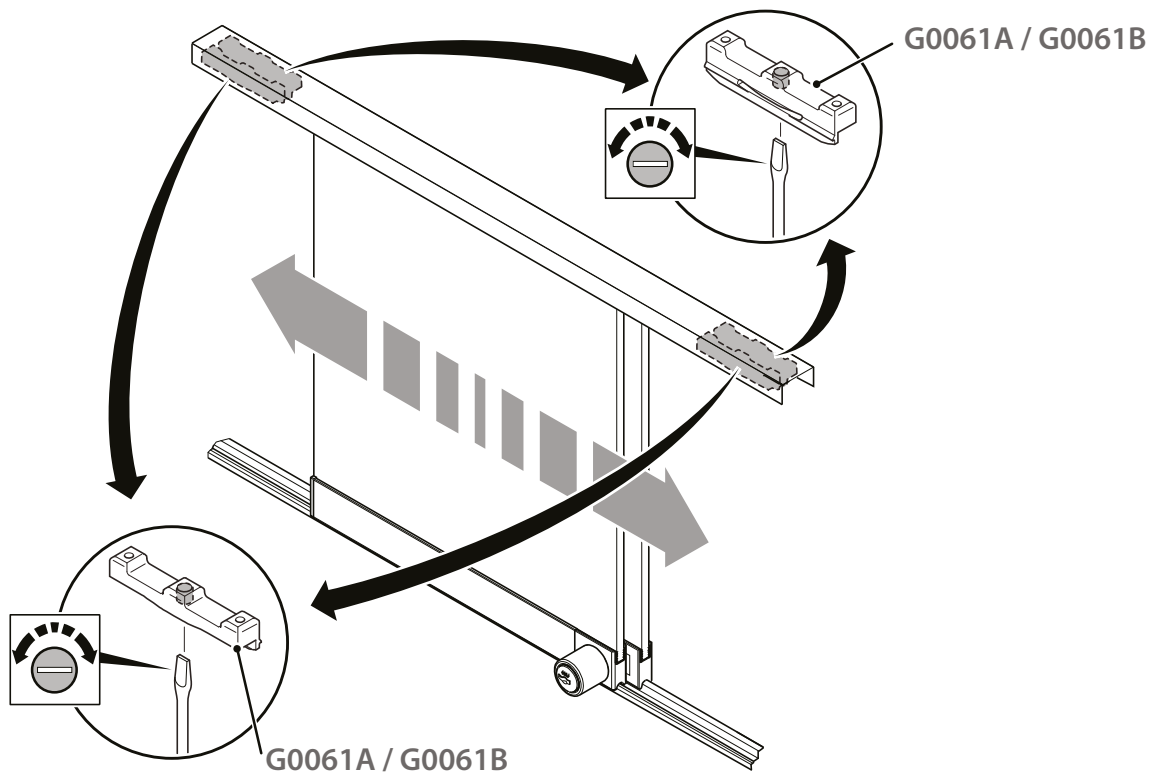
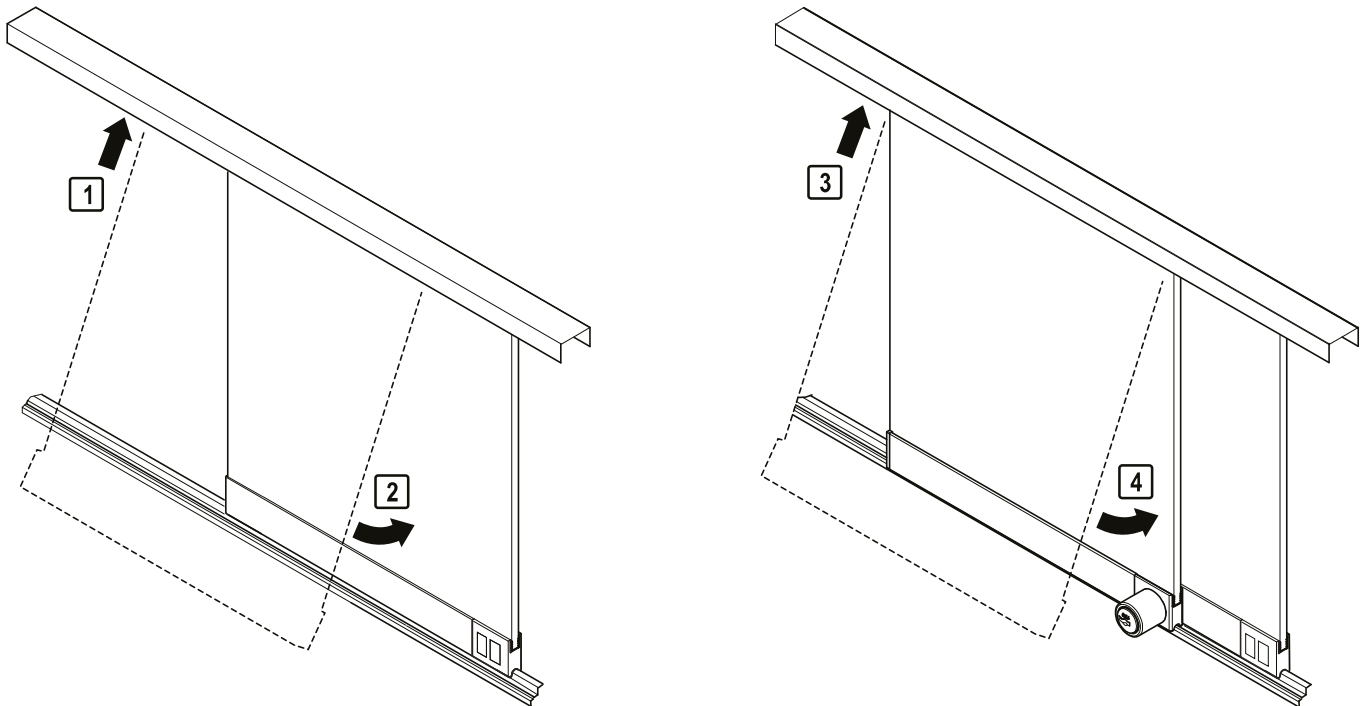
Standard Sliding Track

FITTING INSTRUCTION

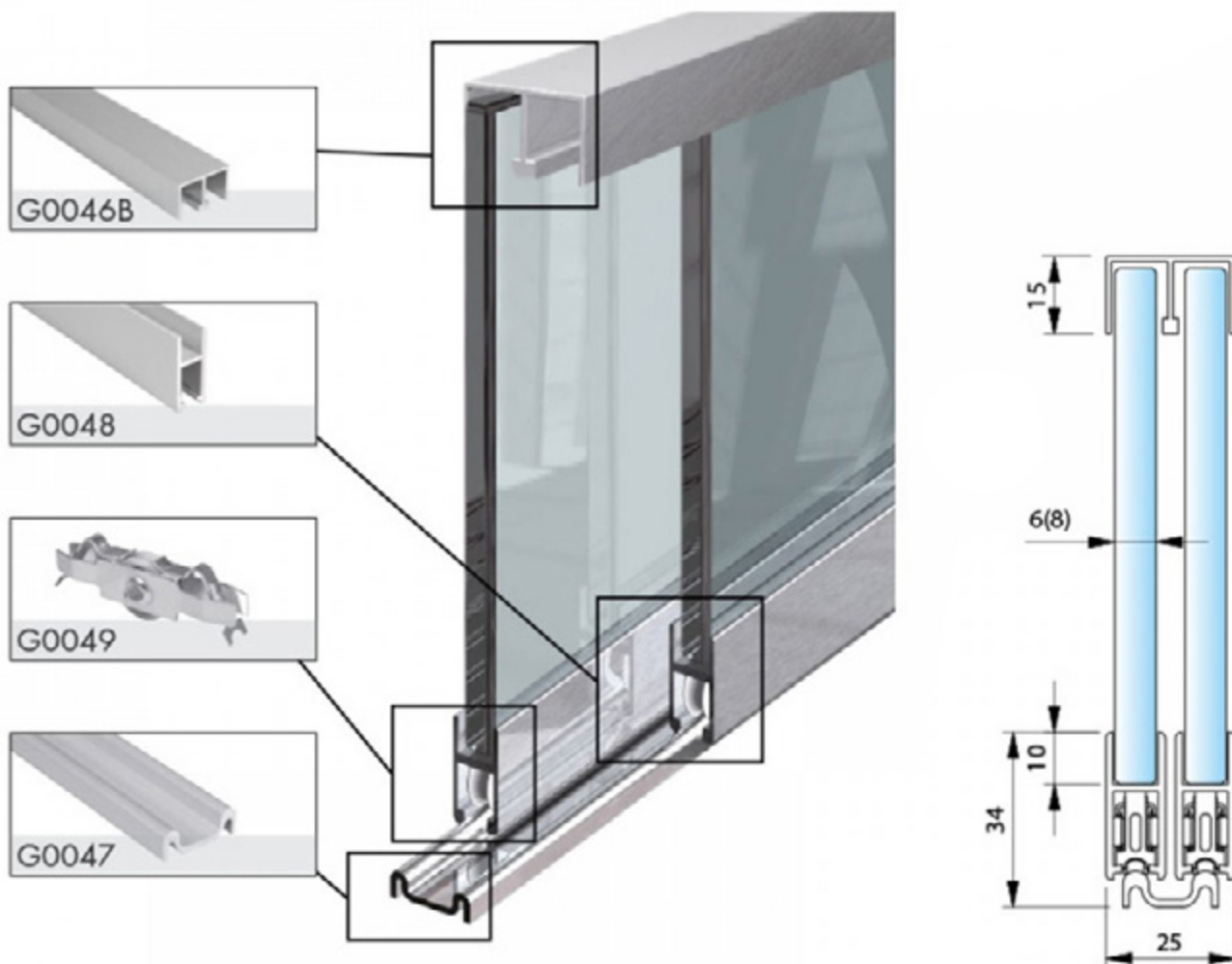


Standard Sliding Track

FITTING INSTRUCTION



Sliding Door System for 6-8 mm glass



Technical specifications

Maximum load per wheel
 2 x G0049 = approx. 25 kg / 4 x G0049 = approx. 50 kg

Glass Calculation:

Glass Door Height = Installation Height, less 31 mm (when used with 8mm Glass)
 or less 33mm (when used with 6mm Glass)

Door Glass Width = Installation Width divided by 2, plus 17mm.