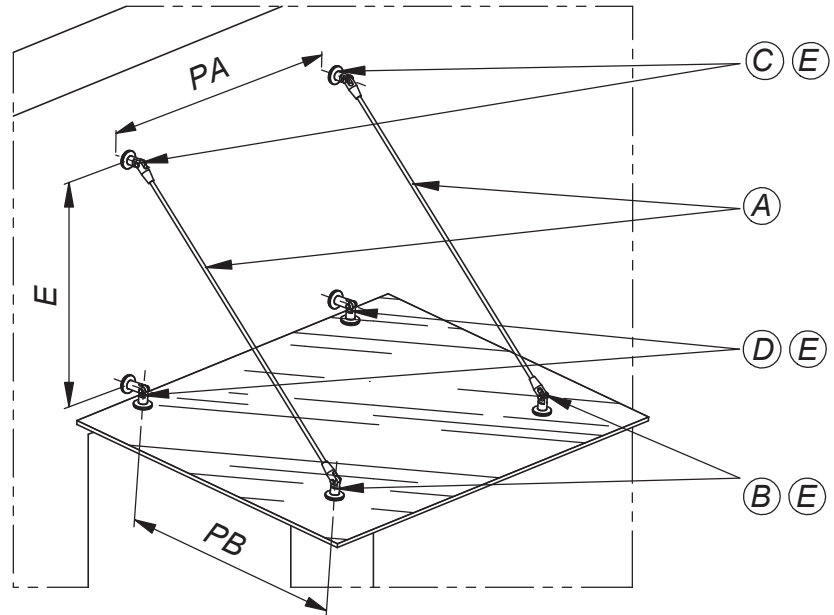


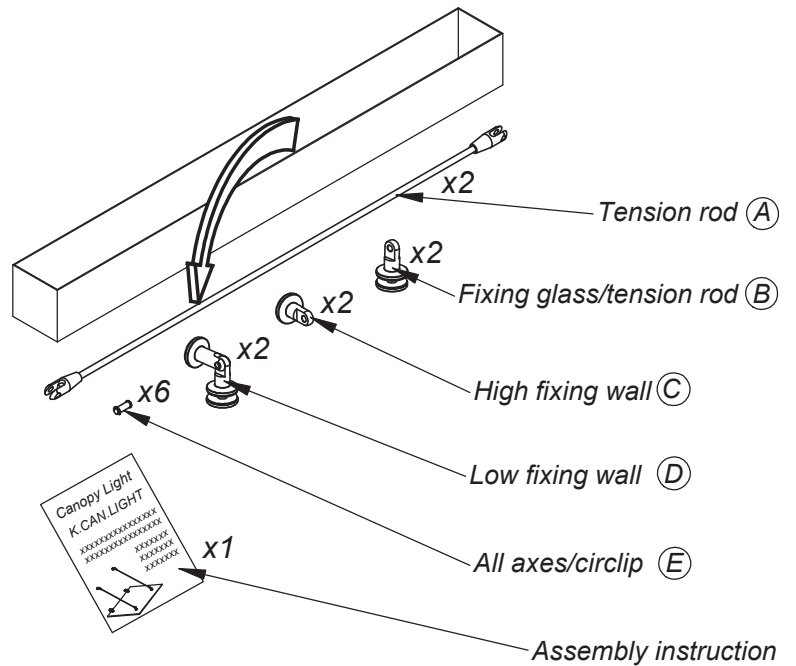
## INSTALLATION INSTRUCTIONS



Wall fixing bolt not supplied

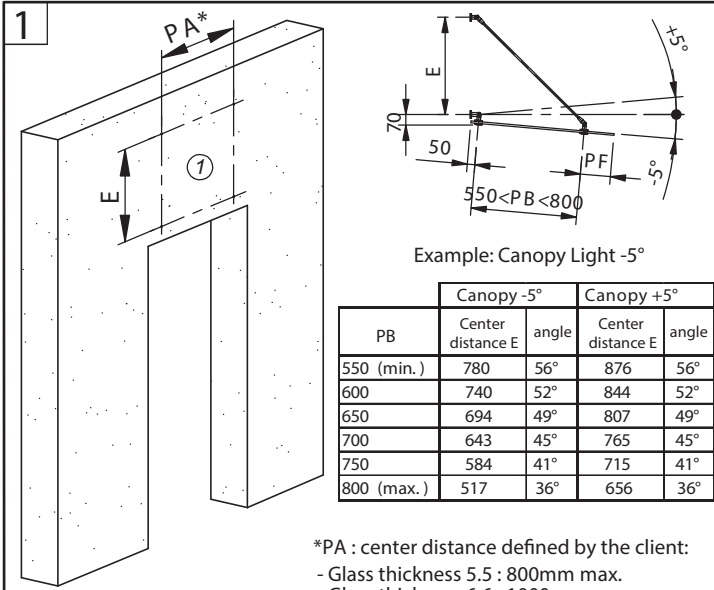


This Canopy Light model has been designed and made as a complete system (excluding glass and fixing bolts).  
The installation of this canopy must follow these instructions.  
Any modifications or non respect of instructions will disengage the GlassParts' responsibilities.



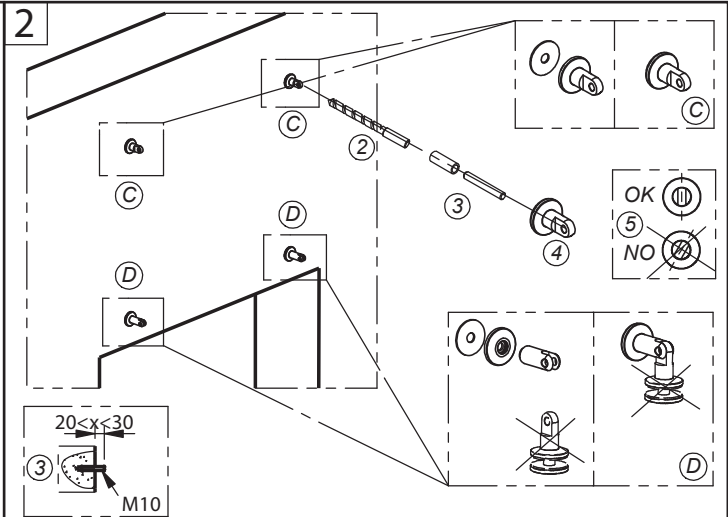
**- Equipment required for the installation of the canopy (not supplied):**

- Electric drill
- Drill bit suitable for the wall material and support in diameter corresponding to the fastening
- Wall fixing bolt M10 suitable for the wall material support (not supplied)  
Note : The bolt when installed should have a threaded section of between 20/30mm protruding from the wall
- 7mm hex key
- Material handling / lifting (scale / scaffolding / trestle / etc...)

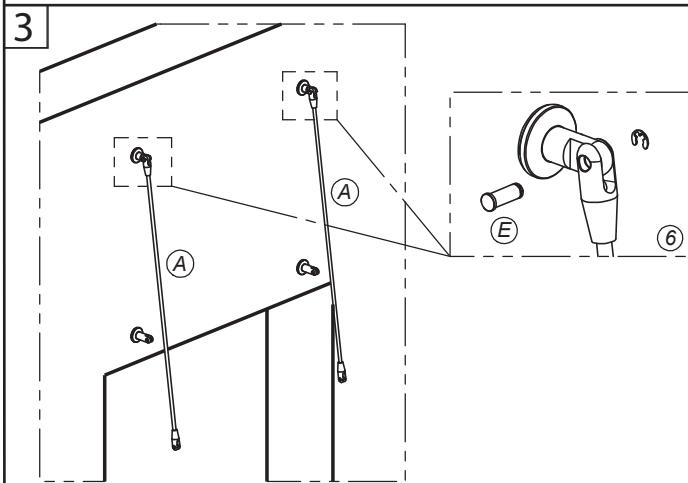


\*PA : center distance defined by the client:  
- Glass thickness 5.5 : 800mm max.  
- Glass thickness 6.6 : 1000mm max.

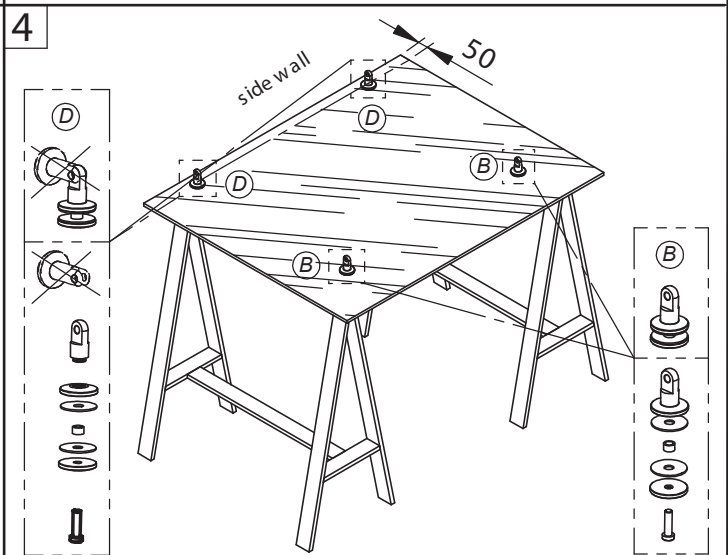
- ① Mark out the wall the spacings of the canopy as per the table



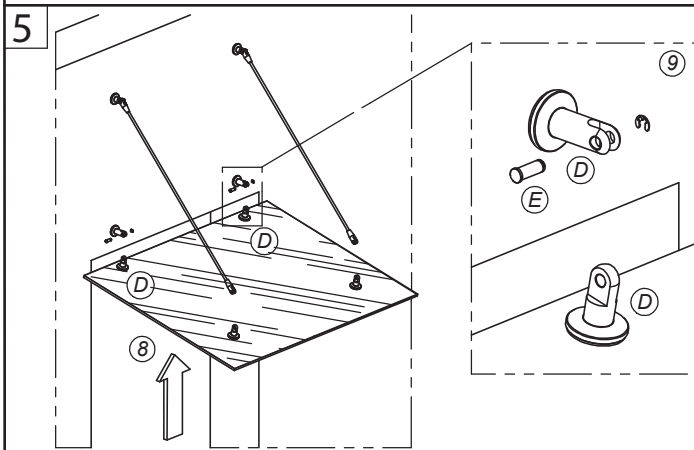
- According to your chosen bolt type, ② drill and ③ install bolt M10. Ensure there is 20/30 mm of thread protruding from the wall.  
④ positioning the plates (C)(D) and ⑤ adjusting the axis vertical plates



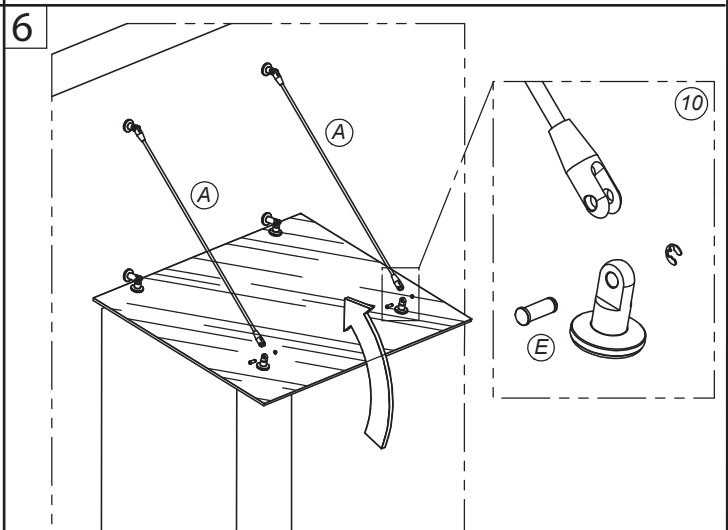
- ⑥ Put the tension rods (A) in place with all pins/circlip (E)



- ⑦ Orientate the direction of the glass and put in place attachments. Tighten to 10Nm for laminated glass and 20Nm for monolithic glass



- ⑧ Present the glass up with support (with all necessary safety procedures and devices: scaffolding, hoists, etc ...), ⑨ to fix the glass lower plates (D) with all pins/circlips (E) and hold it in this position whilst you follow step ⑩



- ⑩ Connecting-rods (A) to the fasteners on the glass with all pins/circlip (E)