



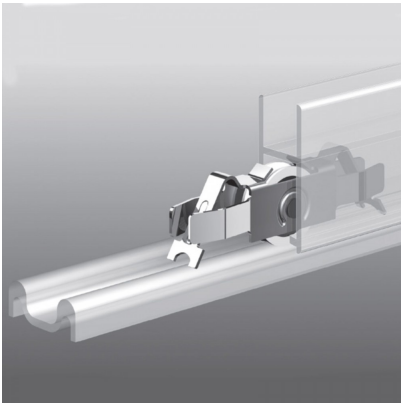
Sliding Track Bearing Wheel (Model: G0049)



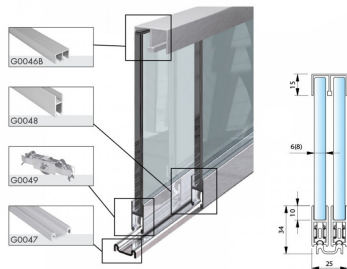
Attributes:

Product Code: G0049

Unit Of Sale: Each



Sliding Door System for 6-8 mm glass



Technical specifications Minimum load per wheel
2 x G0049 = approx. 25 kg / 4 x G0049 = approx. 50 kg
Glass Calculation:
Glass Door Height = Installation Height, less 31mm (when used with 8mm Glass)
or less 33mm (when used with 6mm Glass)
Door Glass Width = Installation Width divided by 2, plus 17mm.