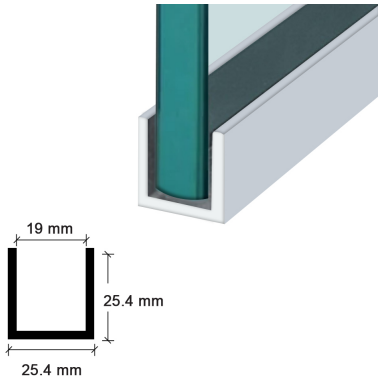




Dry Glazing U Channel - 25x25x19 - Brushed Satin Anodised (Model: G7034A)



- These U Channels provide the most economical way to glaze heavy glass.

- Using the Deep U Channel on the top and Shallow U Channel on the bottom allows for the 'shuffle glaze' method of glazing.

- The glass can be secured with silicone sealant or our Top Load Roll-In Glazing Gasket.

- Roll in wedge gaskets for 10 or 12mm glass are sold separately.

- GASKET IS SOLD PER METRE 6M WILL BE REQUIRED****

Attributes:

Product Code: G7034A

Unit Of Sale: 3 Metre
