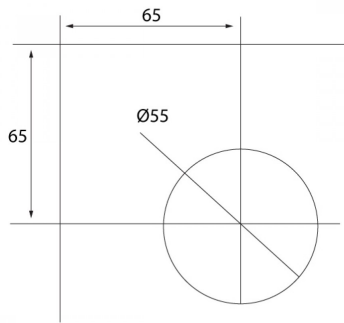




## Patch Lock - Satin Stainless ( Model: KGL34SSS )



- For vertical fixing at Corner or horizontal fixing at centre.
- Hardened oval bolt, double throw bold projection, 20mm.
- Prepared for Europrofile Cylinder No. K9125, K9125T, K9126, K9126T.

### Attributes:

**Product Code:** KGL34SSS

**Unit Of Sale:** Each

