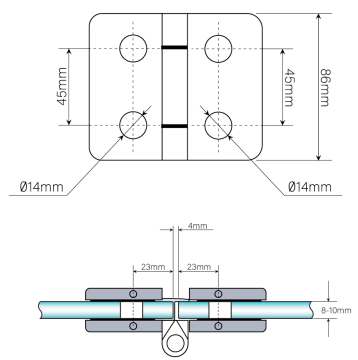




180 Degree Hinge - 8-10mm Glass - Stainless Steel Effect ( Model: KLH86.2SNK )



- Suitable for both 8mm and 10mm glass thickness.
- Shower door hinges are SGS endurance tested to 200000 cycles.
- Glass only needs to be drilled and not notched.
- Amazing value shower door hinges.
- Sold in Pairs.
- Door weight max. 60kg per pair.



**Attributes:**  
**Product Code:** KLH86.2SNK  
**Unit Of Sale:** Pair

