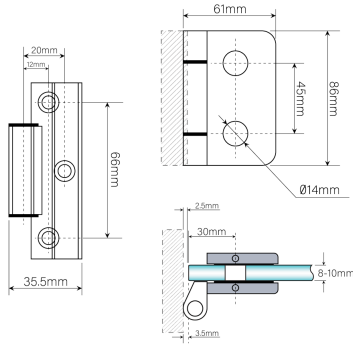




## Wall To Glass Hinge - 8-10mm Glass - Matt Black ( Model: KLH86BK )



- Shower door hinge suitable for both 8mm and 10mm glass thickness.
- SGS endurance tested to 200000 cycles.
- Glass only needs to be drilled and not notched.
- Amazing value hinges.
- Shower door hinges sold in Pairs.
- Door weight max. 60kg per pair.

### Attributes:

**Product Code:** KLH86BK

**Unit Of Sale:** Pair

