



Wall To Glass Hinge - 8-10mm Glass- Polished Stainless Steel (Model: KLH86PSS)



• Shower door hinge is suitable for both 8mm and 10mm glass thickness.



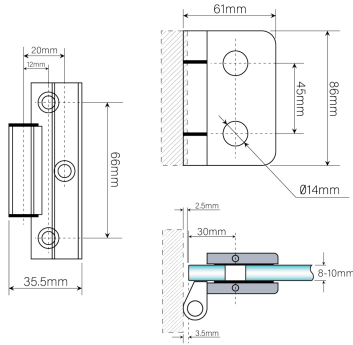
• SGS endurance tested to 200000 cycles.

• Glass only needs to be drilled and not notched.

• Amazing value shower door hinge.

• Hinges sold in Pairs.

• Door weight max. 60kg per pair.



Attributes:

Product Code: KLH86PSS

Unit Of Sale: Pair

