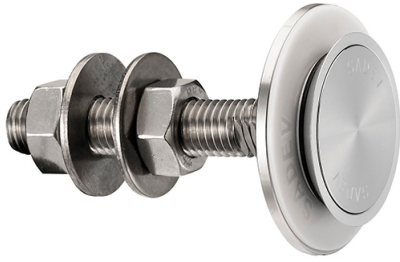




# Countersunk Fixed Bolt For 22 - 26mm Thick Glass ( Model: KSP.V2001-2226-1465 )

These items are not held in stock and will require approximately 1-2 weeks delivery time



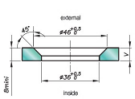
### Attributes:

Product Code: KSP.V2001-2226-1465

Unit Of Sale: Each

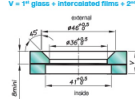
### Glass Drilling

#### Monolithic glass



#### Laminated glass

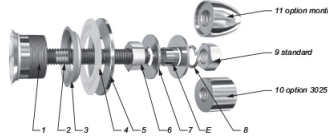
V = 1<sup>st</sup> glass + intercalated films + 2<sup>nd</sup> glass



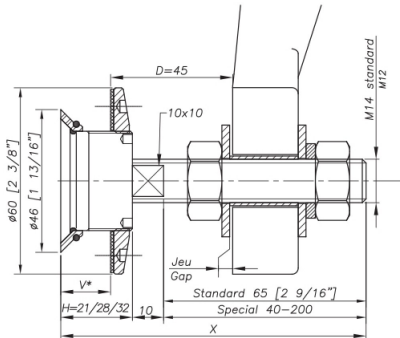
Available for glass thickness from 8 to 31.52mm, for other thicknesses please contact us.

It is important to provide the following information with each request: the glass composition (ex: 10mm monolithic, 8.8.4 laminated, 8.8.2-10-10 lamination) (the length and diameter of the threaded axis) (not standard dimensions (M14, G5mm)) (the reference of the spider to be used as support, or the thickness of an existing support for the delivery of the spacer).

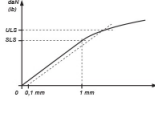
### Components



MARK	QUANTITY	DESIGNATION	MATERIAL
1	1	Bolt	IG O.N.M. 17-12.2 as per EN 10088-3
2	1	Threaded sleeve	Al
3	1	Glass hole general	AW 1005A as per EN 573-3 / A166-EN
4	1	Central spacer	White epoxy / white polyethylene
5	1	Glass hole Ø 80	IG O.N.M. 17-12.2 as per EN 10088-3
6	1	NLZ O.N. 204	Al
7	2	Washer	Al
8	1	Lock-washer 07	Al
9	1	NLZ O.N. 204	Al
10	1	3025 Cap-Nut - Option	IG O.N.M. 17-12.2 as per EN 10088-3
11	1	Multic Cap-Nut - Option	IG O.N.M. 17-12.2 as per EN 10088-3



### Mechanical Performance



Model	Drinking capacity		Pull out capacity
	ULS	SLS	
M12	45 mm	127 dAN (285 lb)	338 dAN (854 lb)
	60 mm	85 dAN (189 lb)	147 dAN (329 lb)
M14	45 mm	317 dAN (712 lb)	838 dAN (1209 lb)
	60 mm	144 dAN (323 lb)	319 dAN (713 lb)

ULS: Glassability Limit State - load at 1 mm deformation  
 ULS: Ultimate Limit State - load at the elastic limit (Fig.1)  
 Values are given without factor of safety