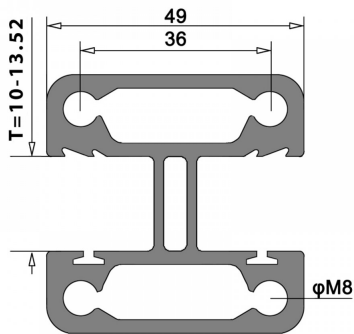




Top Mounted EaziRail Centre Post - 1100mm - Anodised (Model: K.EZAL.TM.CNT.AN)

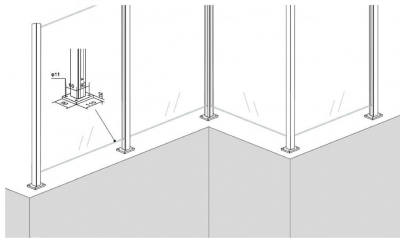
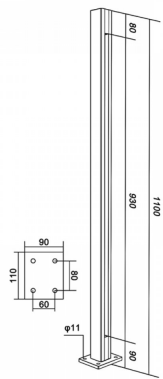


- Pre fabricated balustrade post that is suitable for 10mm - 13.52mm thick glass.
- Extremely fast and simple to install.
- These posts can be finished on top in three different ways depending on your preference.
- A handrail can be easily installed, the post can have a flat cap with the glass below it or the glass can be higher than the post and a slotted cap can be installed.
- These post provide a really great windbreak as there are a lot less gaps than traditional stainless steel posts.
- Bespoke size posts can be manufactured to suit your requirements.

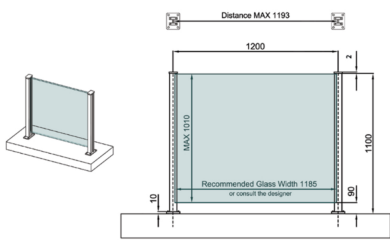
Attributes:

Product Code: K.EZAL.TM.CNT.AN

Unit Of Sale: Each



TOP MOUNT - TOP CAP



TOP MOUNT - HANDRAIL

