



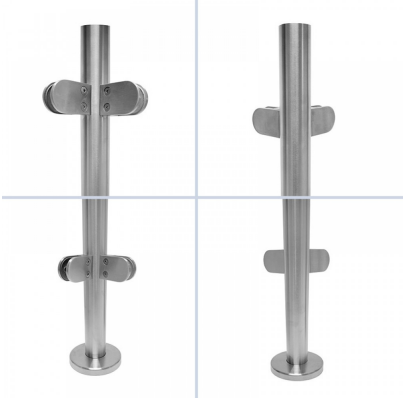
1100mm End Type Balustrade Post Incl. Clamps For 10mm Glass ( Model: KSS.PRE.48.1100.316SS.END )



- Our glass balustrade posts are manufactured to the highest quality and in 316 grade stainless steel.
- The main post is welded to the mounting base and has a 2.0mm thick wall for extra strength.
- The standard handrail bracket is for a 48.3mm diameter.
- Designed to finish at 1100mm high if used with a flat cap and 1228mm with the handrail bracket & handrail installed.



- Other angles, clamp positions and heights are available on request as all the posts are manufactured and fabricated in house.
- The post is flow drilled and M8 tapped for the easy and accurate mounting of the selected clamps.
- The mounting base has hole centers of 90mm



Attributes:

**Product Code:** KSS.PRE.48.1100.316SS.END  
**Unit Of Sale:** Each

